

**NOTE: DO NOT PRINT THIS PAGE**

# Printing Instructions

1) **DO NOT REDUCE!**  
**Print at 100% of document size.**

SIZE: Flat: 24 cm x 32cm  
 Folded: 12 cm x 8 cm

2) Print black ink only, one side.

3) Print on 50# uncoated offset paper.

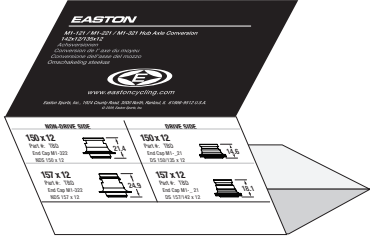
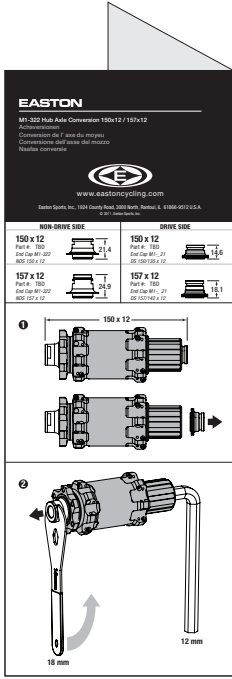
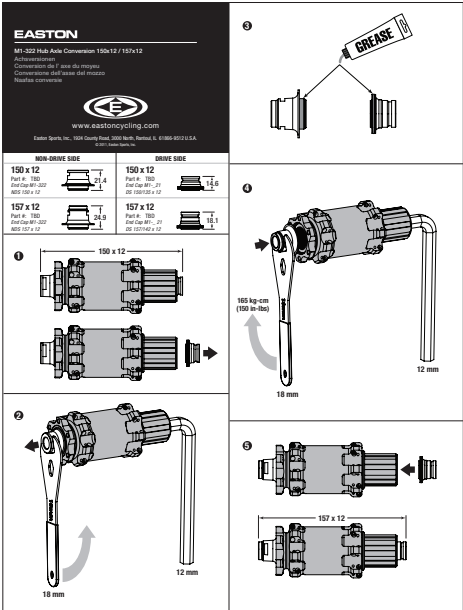
4) Fold as shown

1

2

3

4



# EASTON

M1-322 Hub Axle Conversion 150x12 / 157x12

Achsversionen

Conversion de l'axe du moyeu

Conversione dell'asse del mozzo

Naafas conversie



www.eastoncycling.com

Easton Sports, Inc., 1924 County Road, 3000 North, Rantoul, IL 61866-9512 U.S.A.

© 2011, Easton Sports, Inc.

## NON-DRIVE SIDE

**150 x 12**

Part #: 2027402

End Cap M1-322

NDS 150 x 12



21.4

## DRIVE SIDE

**150 x 12**

Part #: 2031796

End Cap M1-\_21

DS 150/135 x 12

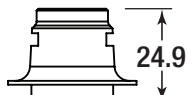


14.6

**157 x 12**

End Cap M1-322

NDS 157 x 12



24.9

**157 x 12**

End Cap M1-\_21

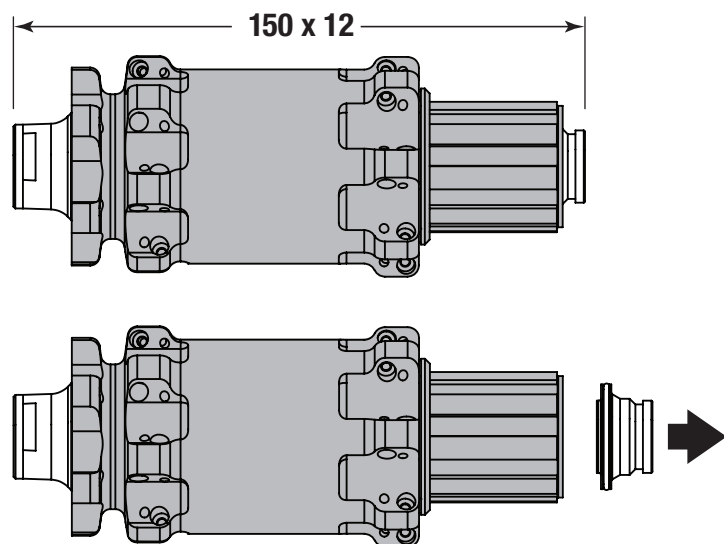
DS 157/142 x 12



18.1

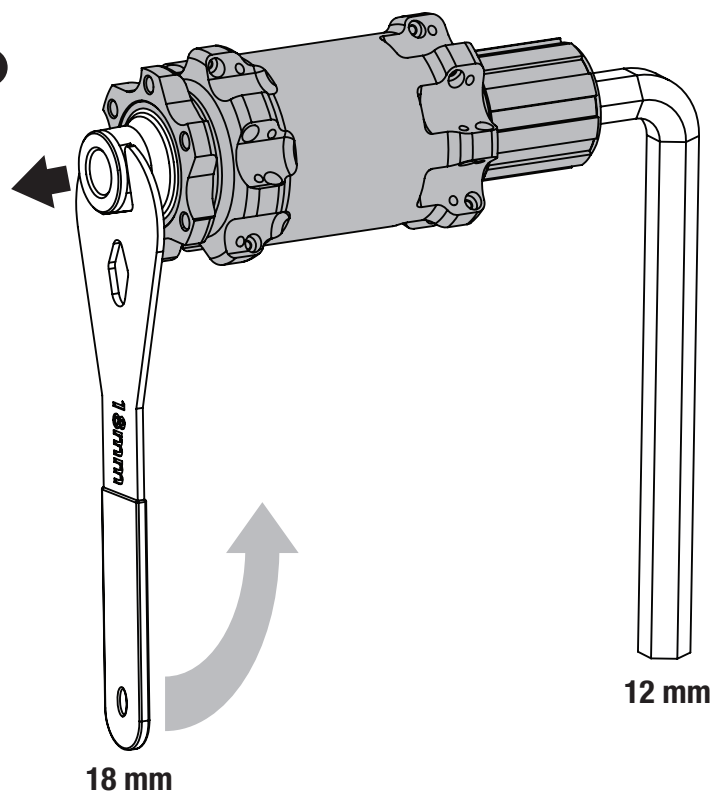
Kit Part # 2032573: NDS 157x12 + DS 157/142x12

1



150 x 12

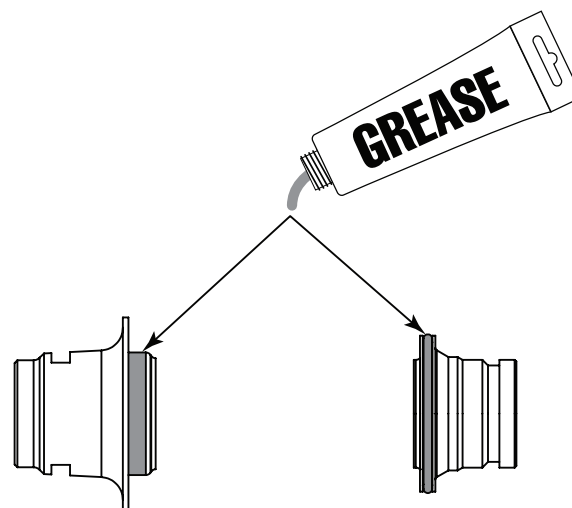
2



12 mm

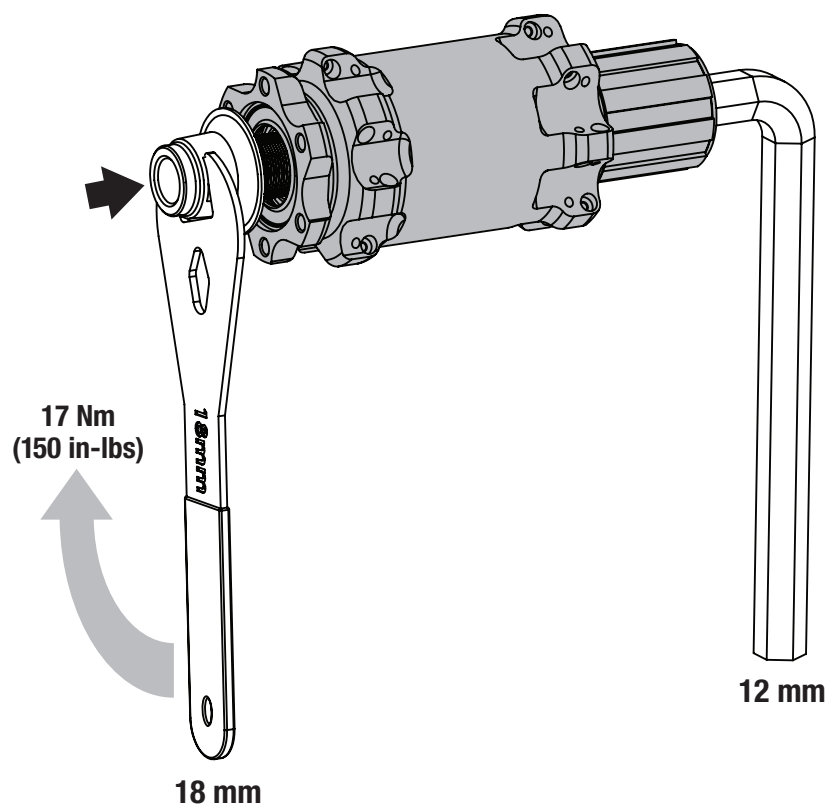
18 mm

3



GREASE

4

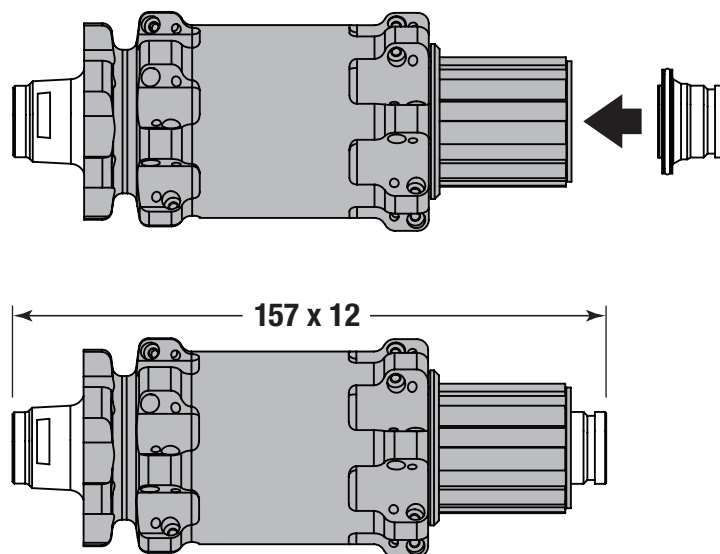


17 Nm  
(150 in-lbs)

12 mm

18 mm

5



157 x 12