

## LED HID Replacement : Small



15-24  
watts

1,900-  
3,120  
lumens

130  
lpw

E26  
base

### Features

- LED replacement for high wattage HID fixtures from 50W to 100W
- Consumes up to 80% less energy than conventional HID systems
- State-of-the-art LED light sources deliver over 130 lumens per watt
- Lasts 3x longer than metal halide or HPS HID lamps
- Choice of 3000K, 4000K or 5000K CCT
- Shatter resistant for reduced risk of injury & breakage
- Integral driver, eliminates the need for external driver or ballast
- Environmentally friendly: contains no glass, mercury, or lead
- Suitable for use in totally enclosed fixtures



### Performance

- 3000K, 4000K, 5000K
- 130 lpw
- 80+ CRI
- 50,000 hour life @ L70
- Direct line voltage 100-277V - not compatible with ballasts
- Power Factor > 0.9
- Non-dimmable
- Universal mounting position
- UL1598C – Existing fixtures retain UL certification
- cULus - damp location rated
- Operating temperature: -40°F to 140°F (-40°C to 60°C)

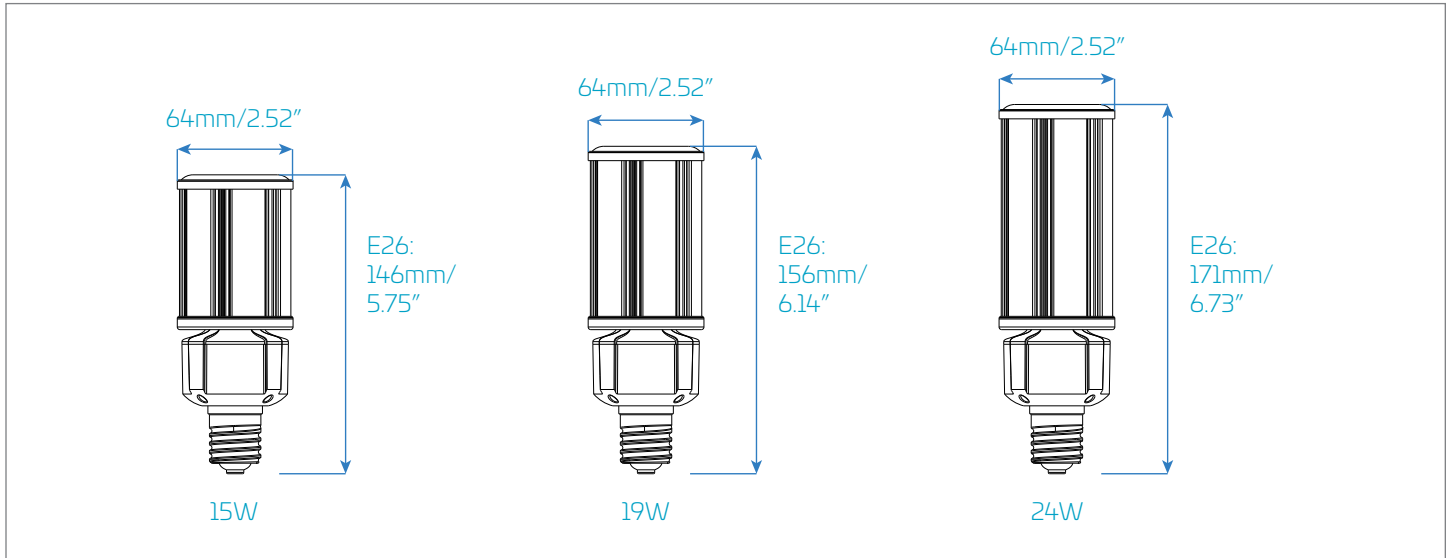
### Applications

- Bollards
- Wallpacks
- Downlights



# LED HID Replacement : Small

## Dimensions



## Ordering Information

Order Code	Item #	Lm	W	CCT	CRI	V	Life/Hrs	Base	Replaces HID	LDL
<b>09632</b>	LED15WPT30KMED-G7	1,875	15W	3000K	80+	100-277V	50K	E26	50W	
<b>09390</b>	LED15WPT40KMED-G7	1,875	15W	4000K	80+	100-277V	50K	E26	50W	✘
<b>09391</b>	LED15WPT50KMED-G7	1,950	15W	5000K	80+	100-277V	50K	E26	50W	✘
<b>09633</b>	LED19WPT30KMED-G7	2,375	19W	3000K	80+	100-277V	50K	E26	70W	
<b>09392</b>	LED19WPT40KMED-G7	2,375	19W	4000K	80+	100-277V	50K	E26	70W	✘
<b>09393</b>	LED19WPT50KMED-G7	2,470	19W	5000K	80+	100-277V	50K	E26	70W	✘
<b>09634</b>	LED24WPT30KMED-G7	3,000	24W	3000K	80+	100-277V	50K	E26	100W	
<b>09394</b>	LED24WPT40KMED-G7	3,000	24W	4000K	80+	100-277V	50K	E26	100W	✘
<b>09395</b>	LED24WPT50KMED-G7	3,120	24W	5000K	80+	100-277V	50K	E26	100W	✘

NOTE: Use order code when ordering.

✘ Lighting Design Lab Qualified

watch > like > follow

