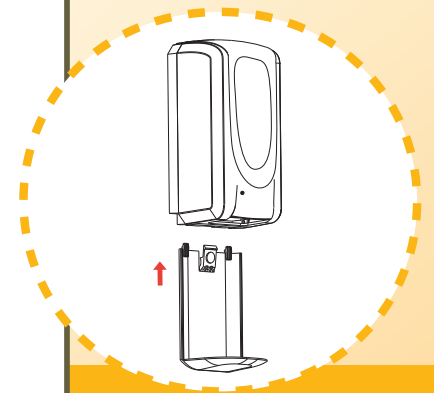


Touchless Sensor-Activated SANITIZER DISPENSER FOR WALL MOUNT

Offer quick and effective hand sanitizing in entry ways, lobbies, stores and more, with the **HLS Commercial® Automatic Sanitizer Dispenser for Wall Mount**. 100% touchless, sensor-activated dispenser accommodates sanitizer liquid or gel, or alcohol.



Removable
Drip Tray
included

FEATURES

- ✓ **PROMOTE ENHANCED HYGIENE** – For busy venues like entryways, lobbies, offices, schools, warehouses, food service facilities, manufacturing, medical, and more
- ✓ **100% NO-CONTACT, SENSOR-ACTIVATED** – Easy-to-use, battery* powered dispenser is convenient and hygienic
- ✓ **USE SANITIZER GEL OR LIQUID, OR ALCOHOL** – Large 1000 ml capacity refillable reservoir requires less frequent servicing
- ✓ **CONVENIENT WALL MOUNT ACCESSORIES INCLUDED** – Adhesive wall hooks and screws are included
- ✓ **DURABLE & ADA COMPLIANT** – ABS plastic is resistant to chemicals, heat, and impact. Meets or exceeds ADA standards

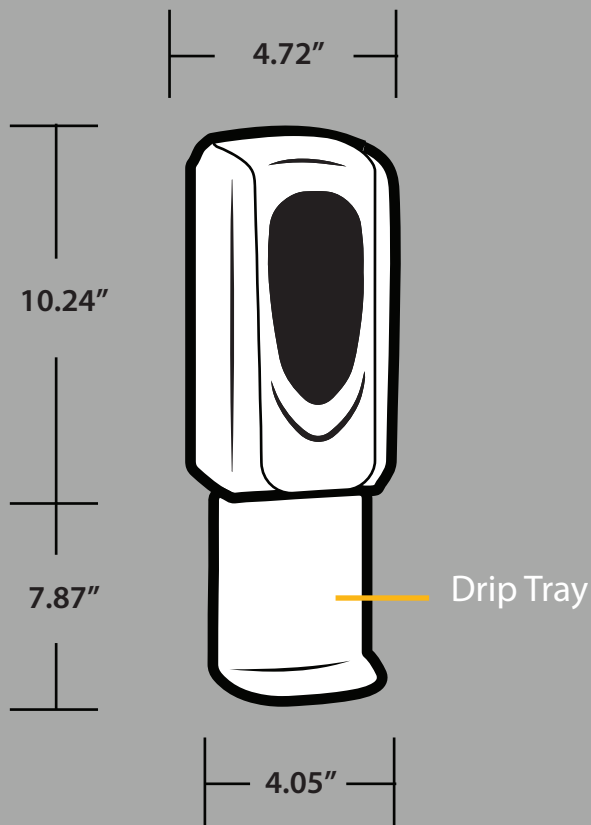
*4 C size batteries not included.



☎ 1-650-535-4378

🌐 hlscommercial.com

SPECIFICATIONS



Model: HLSSDW01

Dimensions: 5" L x 4.72" W x 18.1" H

Package Dimensions: 14" L x 13.4" W x 7.5" H

Product Weight: 12.1 lbs.

Package Weight: 13.6 lbs.

Refillable Container Capacity: 1000ml

Material: ABS plastic

Volume Per Drop: 0.8~1.0ml

Power: 4 C size batteries (not included)