

Model # HLSS01R

1.32 Gallon Stainless Steel

SOFT STEP WITH PLASTIC LINER

Offer quick and convenient waste disposal with the attractive and durable HLS Commercial® **1.32 Gallon Stainless Steel Step Trash Can**. The smooth and easy pedal that requires minimal effort is coupled with a soft and silent lid close. The replaceable odor filter keeps the surrounding area smelling fresh and clean. Emptying the trash is quick and clean with the removable inner bin.

The elegant stainless steel complements any décor, while the slim shape saves space.



FEATURES

- ✓ SMOOTH AND EASY PEDAL IS DURABLE FOR YEARS OF USE
- ✓ SILENT AND GENTLE LID CLOSURE
- ✓ ELEGANT BRUSHED STAINLESS STEEL IS FINGERPRINT-PROOF
- ✓ REPLACEABLE ODOR FILTER NEUTRALIZES ODORS
- ✓ REMOVABLE INNER BUCKET
- ✓ SLIM AND SPACE-SAVING DESIGN



For product details and pricing:

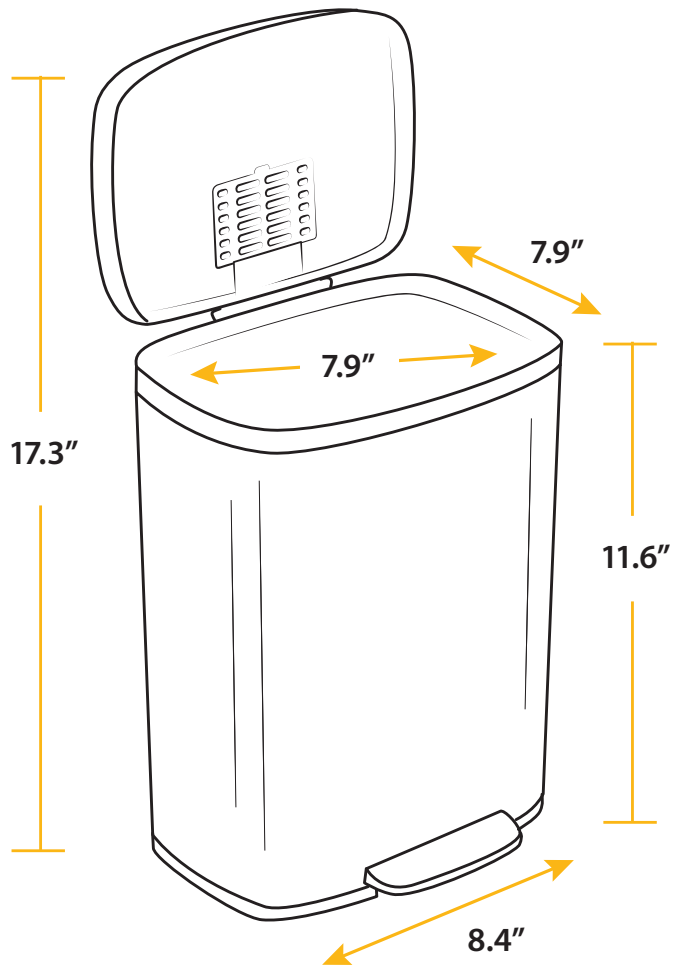


1-650-535-4378



hlscommercial.com

SPECIFICATIONS



AbsorbX® Replaceable Odor Filter

Model: HLSS01R

Dimensions: 7.9" L x 8.4" W x 11.6" H

Package Dimensions: 8.8" L x 10" W x 14" H

Product Weight: 2.4 lbs

Package Weight: 3.6 lbs

Capacity: 1.32 Gallons (5 Liters)

Material: Stainless Steel