

1.32 Gallon Stainless Steel **FIRE RATED STEP TRASH CAN** with Removable Inner Liner

Model # HLSS01RFR



Safety is paramount, and fire poses a significant risk to life and property. This HLS Commercial product has been manufactured with fire-retardant materials to mitigate that risk and has been tested and confirmed by FM Approvals as meeting or exceeding their rigorous standards.

FM Approvals® tested and certified **HLS Commercial 1.32 Gallon Stainless Steel Step Trash Can** provides the compliance, protection, and style you need and want in your facilities. Bin fires are quickly extinguished with the special fire-retardant liner material and a tight lid design that restricts airflow to the interior of the bin, starving a flame of necessary oxygen.

Designed to be as aesthetically pleasing as it is safe and easy to use, the elegant stainless steel bin complements any décor. The smooth and easy pedal requires minimal effort and is coupled with a soft and silent lid close. The replaceable odor filter keeps the surrounding area smelling fresh and clean. Emptying the trash is quick and clean with the removable inner bin.

FEATURES

- ✓ Smooth and easy pedal is durable for years of use
- ✓ Silent and gentle lid closure
- ✓ Elegant brushed stainless steel is fingerprint-proof
- ✓ Removable inner bucket
- ✓ Replaceable odor filter neutralizes odors
- ✓ Slim and space-saving design



For product details and pricing:

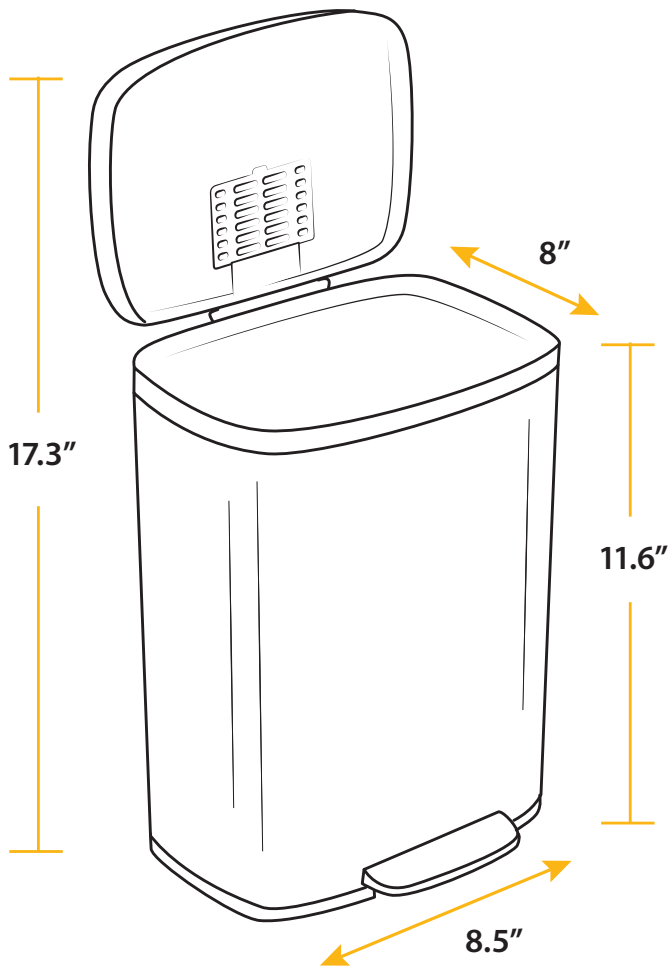


1-650-535-4378



hlscommercial.com

SPECIFICATIONS



Removable
Inner Bucket

Model: HLSS01RFR

Dimensions: 8.5" L x 8" W x 11.6" H

Package Dimensions: 9.8" L x 8.7" W x 13.8" H

Product Weight: 2.2 lbs

Package Weight: 3.3 lbs

Capacity: 1.32 Gallons (5 Liters)

Material: Stainless Steel