

9 Gallon/34 Liter Stainless Steel HALF-ROUND SIDE-ENTRY TRASH CAN with Galvanized Steel Inner Bin

9 Gallon Stainless Steel or Black Powder-Coated Side-Entry Trash Can is the perfect waste receptacle for high-traffic areas like restrooms, lobbies, hallways, and conference rooms. This 9 Gallon / 34 Liter receptacle features an easy to access, galvanized steel inner bucket with handles. The large opening makes it easy to dispose of bulky trash on-the-go. The slim, half-round profile is space efficient. The stainless steel is fingerprint-proof, smudge-resistant, and easy to clean. This receptacle may be wall-mounted, making it perfect for restrooms or other areas where space is limited.



HLSC01G09A



HLSC01G09B

FEATURES

- ✓ AVAILABLE IN STAINLESS STEEL OR BLACK POWDER-COATED STEEL
- ✓ REMOVABLE LID MAKES LINER CHANGE QUICK AND EASY
- ✓ GALVANIZED STEEL INNER BINS WITH HANDLES FOR EASY TRASH REMOVAL
- ✓ WALL-MOUNTABLE
- ✓ STAINLESS STEEL FINISH IS SMUDGE-RESISTANT AND EASY TO CLEAN



For product details and pricing:

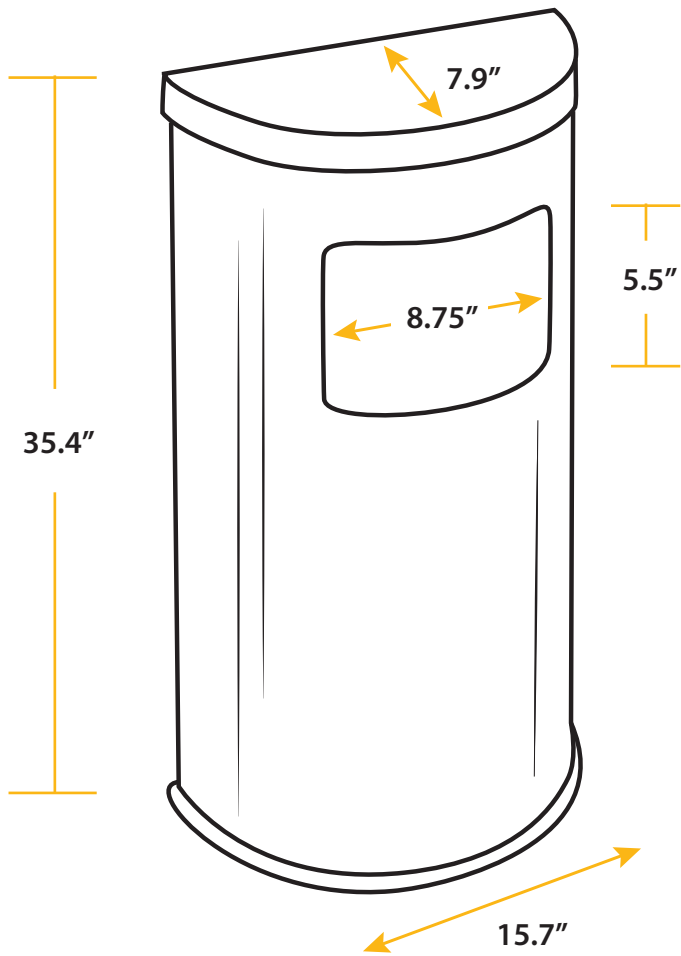


1-650-535-4378



hlscommercial.com

SPECIFICATIONS



Reinforced
backing
for secure
mounting
on wall



Model: HLSC01G09A / HLSC01G09B

Dimensions: 15.7" L x 7.9" W x 35.4" H

Package Dimensions: 18.75" L x 11" W x 38.5" H

Product Weight: 15.4 lbs.

Package Weight: 19.4 lbs.

Capacity: 9 Gallons (34 Liters)

Material: Stainless Steel / Powder-Coated