

18/23 Gallon Stainless Steel **SEMI-ROUND OPEN TOP TRASH CAN**

Offer quick and effective waste disposal in entry ways, lobbies, stores and more, with the HLS Commercial® Semi-Round Open Top Trash Can. The elegant, durable stainless steel complements any décor, while the slim, half-round shape saves space.



HLS18DOT

HLS23DOT

FEATURES

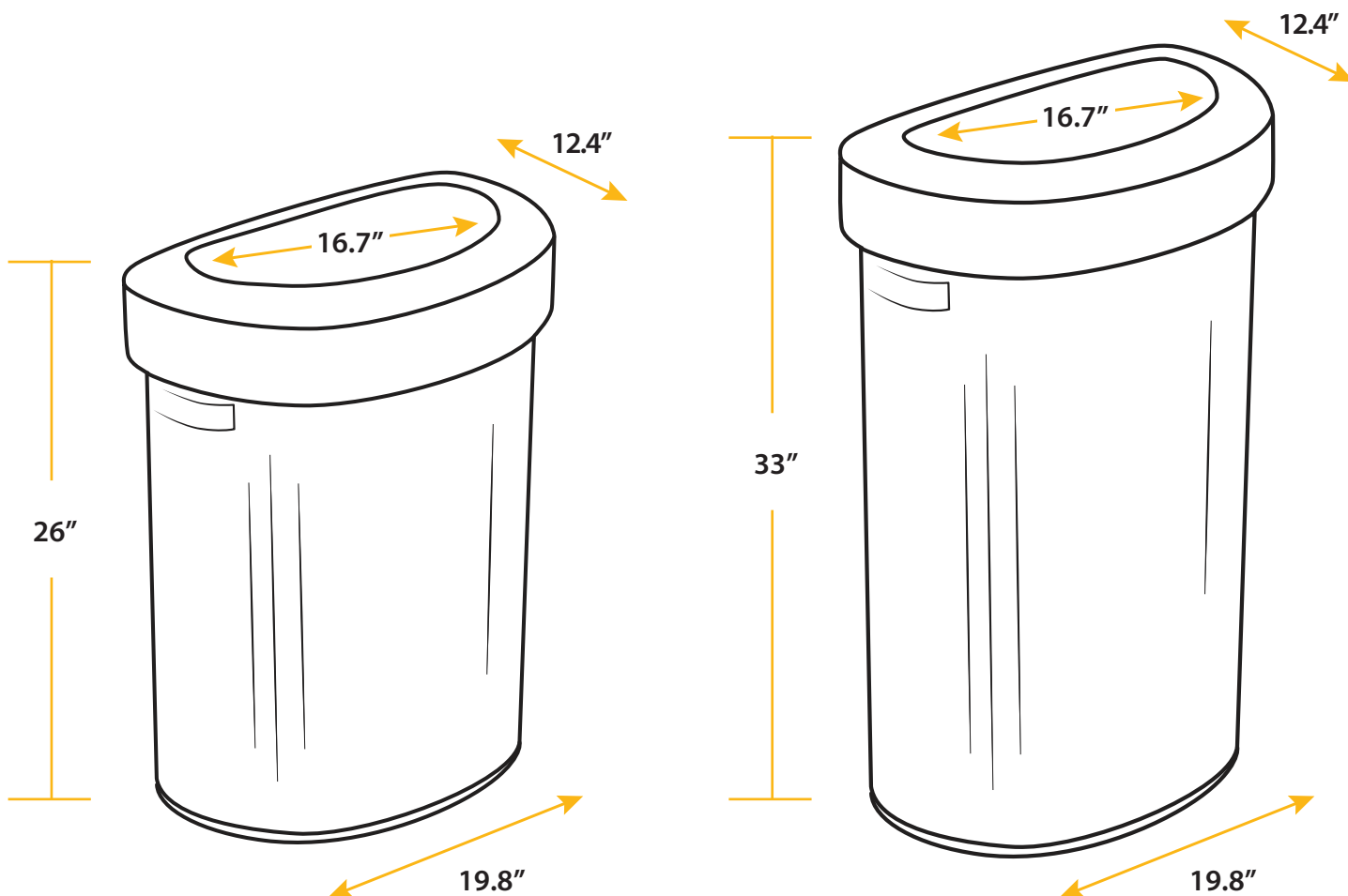
- ✓ **LARGE 18 AND 23 GALLON CAPACITY**
- ✓ **WIDE OPENING ACCOMMODATES BULKY TRASH**
- ✓ **SLOPED LID PREVENTS ACCUMULATION OF TRASH**
- ✓ **SIDE HANDLES FOR EASY TRANSPORTATION**
- ✓ **FINGERPRINT-PROOF AND SMUDGE-RESISTANT STAINLESS STEEL**



For product details and pricing:

☎ 1-650-535-4378 🌐 hlscommercial.com

SPECIFICATIONS



Model: HLS18DOT

Dimensions:

19.8" L x 12.4" W x 26" H

Package Dimensions:

21.7" L x 14.2" W x 28.2" H

Product Weight: 9.5 lbs.

Package Weight: 13 lbs.

Capacity:

18 Gallons (68 Liters)

Material: Stainless Steel

Model: HLS23DOT

Dimensions:

19.8" L x 12.4" W x 33" H

Package Dimensions:

21.7" L x 14.2" W x 34.5" H

Product Weight: 11.7 lbs.

Package Weight: 16 lbs.

Capacity:

23 Gallons (87 Liters)

Material: Stainless Steel