

# Sanitizer / Gym Wipe Dispenser

## 9 GALLON STAINLESS STEEL TRASH CAN

Offer quick and effective hand sanitizing and waste disposal in entryways, lobbies, stores, gyms, and more with the **HLS Commercial® Sanitizer / Gym Wipe Dispenser 9 Gallon Stainless Steel Trash Can**. This unique combination unit is the perfect solution for high-traffic venues that require effective infection control and PPE disposal. The elegant, durable stainless steel complements any décor, while the slim, round shape saves space.



### FEATURES

- ✓ COMBO TRASH CAN AND SANITIZING WIPE DISPENSER
- ✓ FITS ALL SIZE DISINFECTANT WIPES AND GYM WIPE REFILL ROLLS
- ✓ THICK, COMMERCIAL-GRADE STAINLESS STEEL CONSTRUCTION
- ✓ REMOVABLE INNER BIN WITH LOCKING DOOR
- ✓ WIPE COMPARTMENT LID SECURED WITH CHAIN
- ✓ SLIM AND VERSATILE ROUND DESIGN

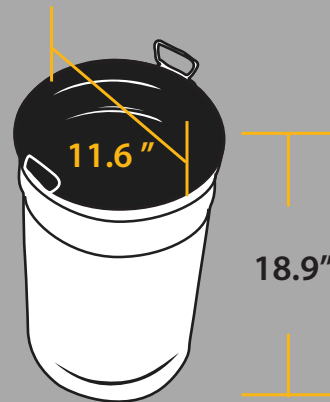
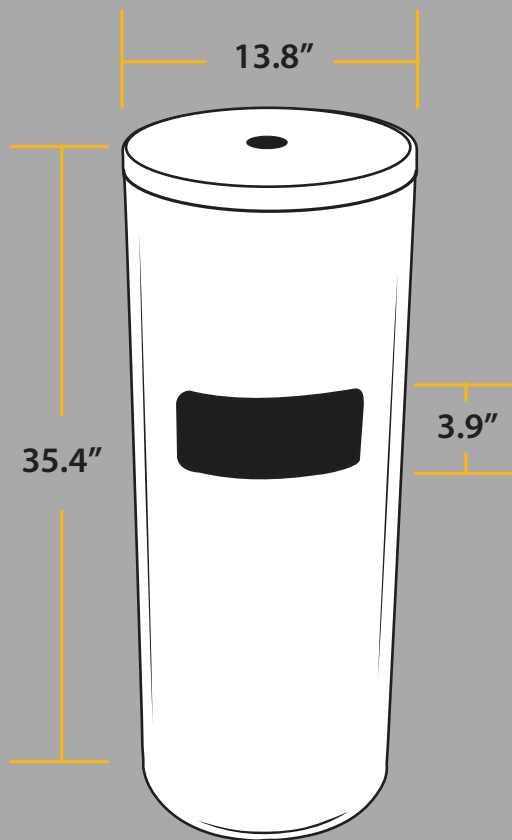
\*Wipes sold separately.

**HLSC09WSR**

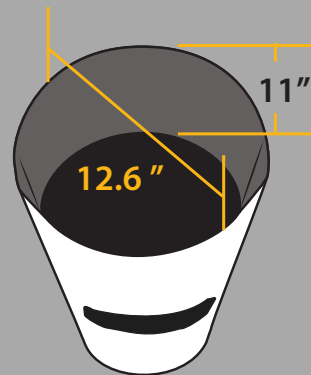


🌐 [hlscommercial.com](https://hlscommercial.com)  
☎ 1-650-535-4378

# SPECIFICATIONS



Removable  
9 Gallon  
Galvanized Steel  
Inner Bin



Wipe  
Dispenser  
Compartment



**Model:** HLSC09WSR

**Dimensions:** 13.8" L x 13.8" W x 35.4" H

**Dimensions (inner bin):** 11.6" L x 11.6" W x 18.9" H

**Dimensions (wipe dispenser compartment):** 12.6" L x 12.6" W x 11" H

**Package Dimensions:** 16.9" L x 16.9" W x 39" H

**Product Weight:** 17.6 lbs.

**Package Weight:** 22 lbs.

**Trash Can Capacity:** 9 Gallons (34 Liters)

**Material:** Stainless Steel