

8 Gallon/30 Liter

BLACK ROUND SENSOR TRASH CAN

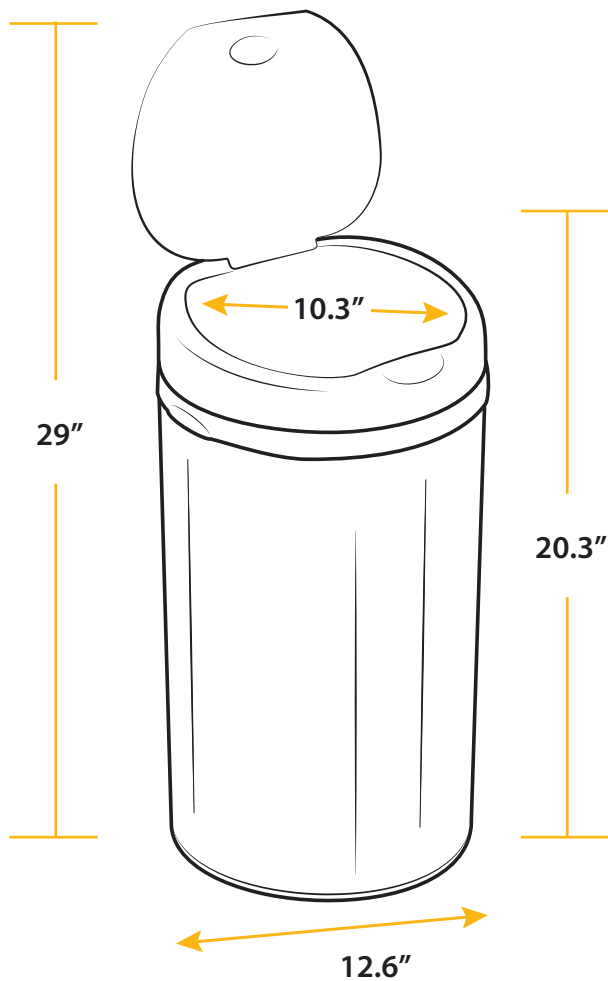
Eliminate exposure to the illness-causing bacteria that live on trash can surfaces with this touchless, sensor-operated trash can. Enhanced infrared sensor technology allows for hands-free lid open and close, promoting a healthier environment. The odor filter compartment houses the easy to replace AbsorbX® odor filter to absorb and neutralize trash odors. An extra-large 10" opening easily accommodates large and bulky items. It's perfect for high-traffic venues that require quick and easy disposal. It also features an enhanced lid hinge mechanism and air vent holes for effortless trash bag removal.



FEATURES

- ✓ NO-TOUCH LID OPERATION FOR ENHANCED HYGIENE
- ✓ DURABLE MATERIAL/CONSTRUCTION; EASY TO SERVICE
- ✓ WIDE OPENING ACCOMMODATES LARGE AND BULKY ITEMS
- ✓ REPLACEABLE ODOR FILTER ABSORBS TRASH ODORS
- ✓ SLIM AND SPACE-SAVING DESIGN
- ✓ TRASH BAG RETAINER RING KEEPS BAG IN PLACE AND OUT OF VIEW
- ✓ STAINLESS STEEL IS FINGERPRINT-PROOF AND EASY TO CLEAN

SPECIFICATIONS



AbsorbX® Replaceable Odor Filter

Model: HLS08RB

Dimensions: 12.6" L x 11.6" W x 20.3" H

Package Dimensions: 12.4" L x 12.4" W x 21.5" H

Product Weight: 6.05 lbs.

Package Weight: 8.2 lbs.

Capacity: 8 Gallons (30 Liters)

Material: Stainless Steel / ABS Plastic (Top)