

Sanitizer / Gym Wipe Dispenser

9 GALLON STAINLESS STEEL TRASH CAN

Offer quick and effective hand sanitizing and waste disposal in entryways, lobbies, stores, gyms, and more with the **HLS Commercial® Sanitizer / Gym Wipe Dispenser 9 Gallon Stainless Steel Trash Can**. This unique combination unit is the perfect solution for high-traffic venues that require effective infection control and PPE disposal. The elegant, durable stainless steel complements any décor, while the slim, round shape saves space.



FEATURES

- ✓ COMBO TRASH CAN AND SANITIZING WIPE DISPENSER
- ✓ FITS ALL SIZE DISINFECTANT WIPES AND GYM WIPE REFILL ROLLS
- ✓ THICK, COMMERCIAL-GRADE STAINLESS STEEL CONSTRUCTION
- ✓ REMOVABLE INNER BIN WITH LOCKING DOOR
- ✓ WIPE COMPARTMENT LID SECURED WITH CHAIN
- ✓ SLIM AND VERSATILE ROUND DESIGN

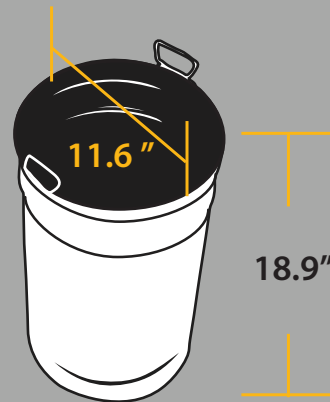
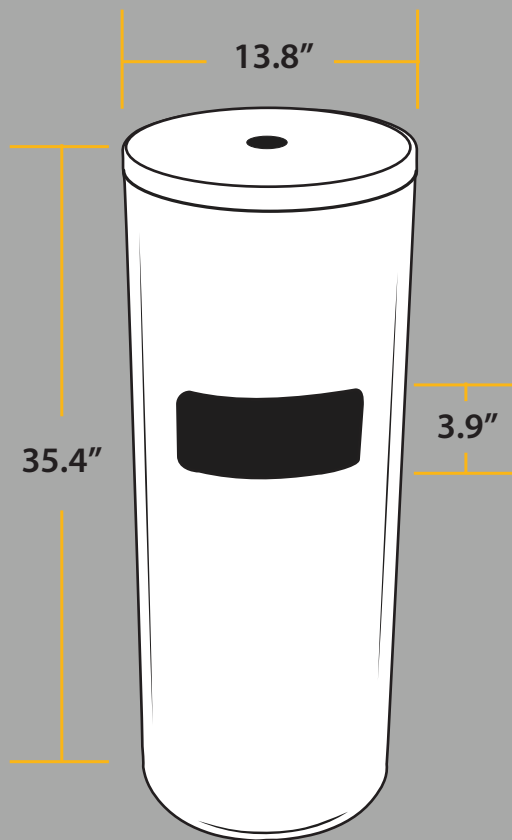
*Gym wipes and wipe bucket not included.

HLSC09WSR

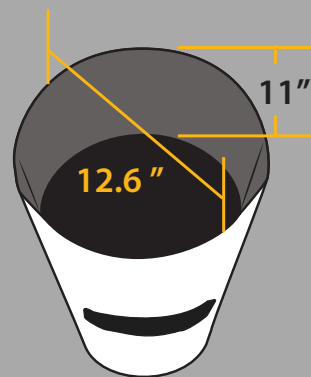


🌐 hlscommercial.com
☎ 1-650-535-4378

SPECIFICATIONS



Removable
9 Gallon
Galvanized Steel
Inner Bin



Wipe
Dispenser
Compartment



Model: HLSC09WSR

Dimensions: 13.8" L x 13.8" W x 35.4" H

Dimensions (inner bin): 11.6" L x 11.6" W x 18.9" H

Dimensions (wipe dispenser compartment): 12.6" L x 12.6" W x 11" H

Package Dimensions: 16.9" L x 16.9" W x 39" H

Product Weight: 17.6 lbs.

Package Weight: 22 lbs.

Trash Can Capacity: 9 Gallons (34 Liters)

Material: Stainless Steel