

18/23 Gallon Stainless Steel **SEMI-ROUND OPEN TOP TRASH CAN**

Offer quick and effective waste disposal in entry ways, lobbies, stores and more, with the HLS Commercial® Semi-Round Open Top Trash Can. The elegant, durable stainless steel complements any décor, while the slim, half-round shape saves space.





FEATURES

- ✓ LARGE, 18 AND 23 GALLON CAPACITY
- ✓ FINGERPRINT-PROOF AND SMUDGE-RESISTANT STAINLESS STEEL
- ✓ WIDE OPENING ACCOMMODATES BULKY TRASH
- ✓ SLOPED LID PREVENTS ACCUMULATION OF TRASH
- ✓ SIDE HANDLES FOR EASY TRANSPORTATION

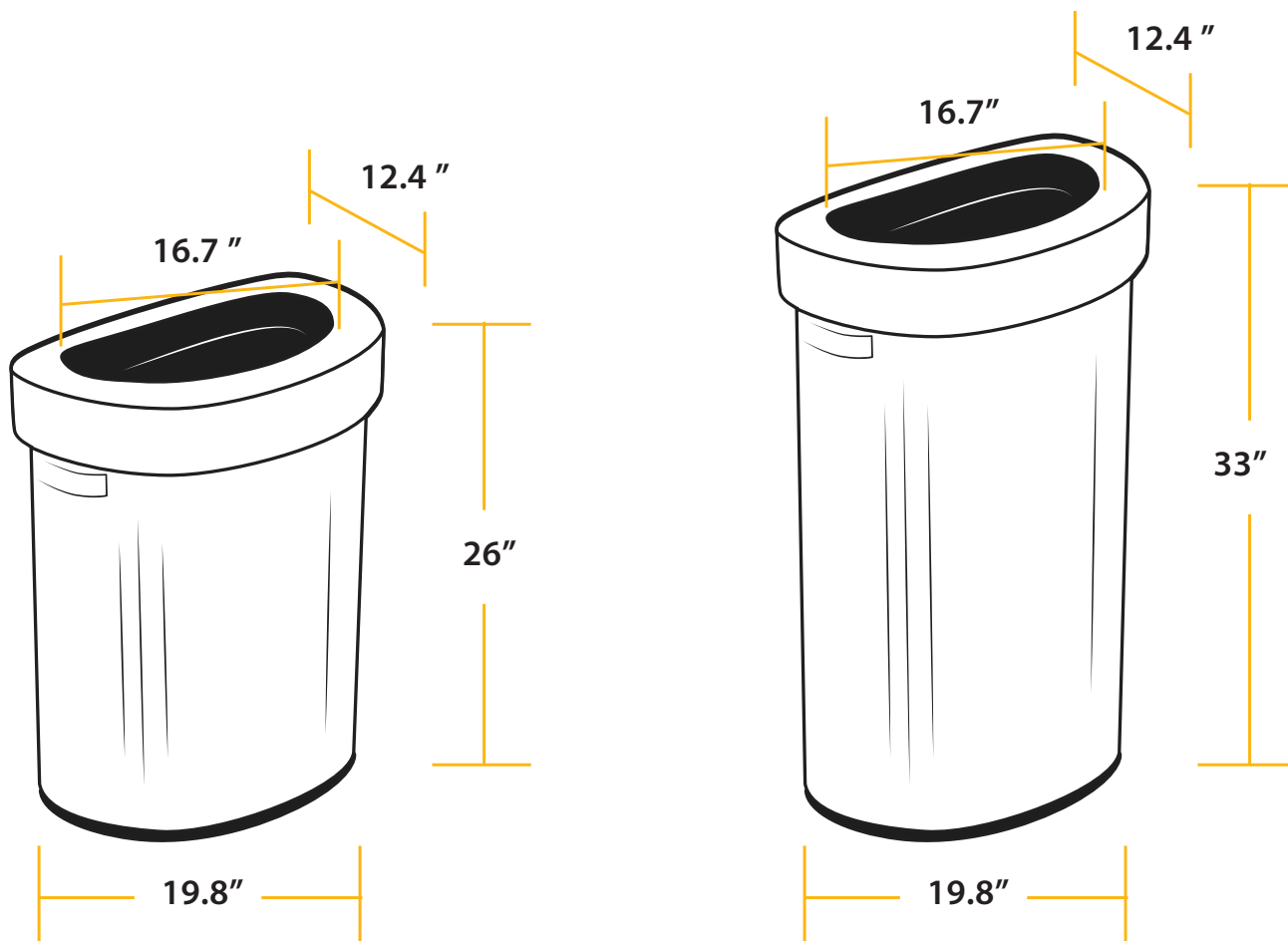
HLS18DOT

HLS23DOT



 hlscommercial.com
 1-650-535-4378

SPECIFICATIONS



Model: HLS18DOT

Dimensions:
19.8" L x 12.4" W x 26" H

Package Dimensions:
21.7" L x 14.2" W x 28.2" H

Product Weight: 9.5 lbs.

Package Weight: 13 lbs.

Capacity: 18 Gallons (68 Liters)

Material: Stainless Steel

Model: HLS23DOT

Dimensions:
19.8" L x 12.4" W x 33" H

Package Dimensions:
21.7" L x 14.2" W x 34.5" H

Product Weight: 11.7 lbs.

Package Weight: 16 lbs.

Capacity: 23 Gallons (87 Liters)

Material: Stainless Steel