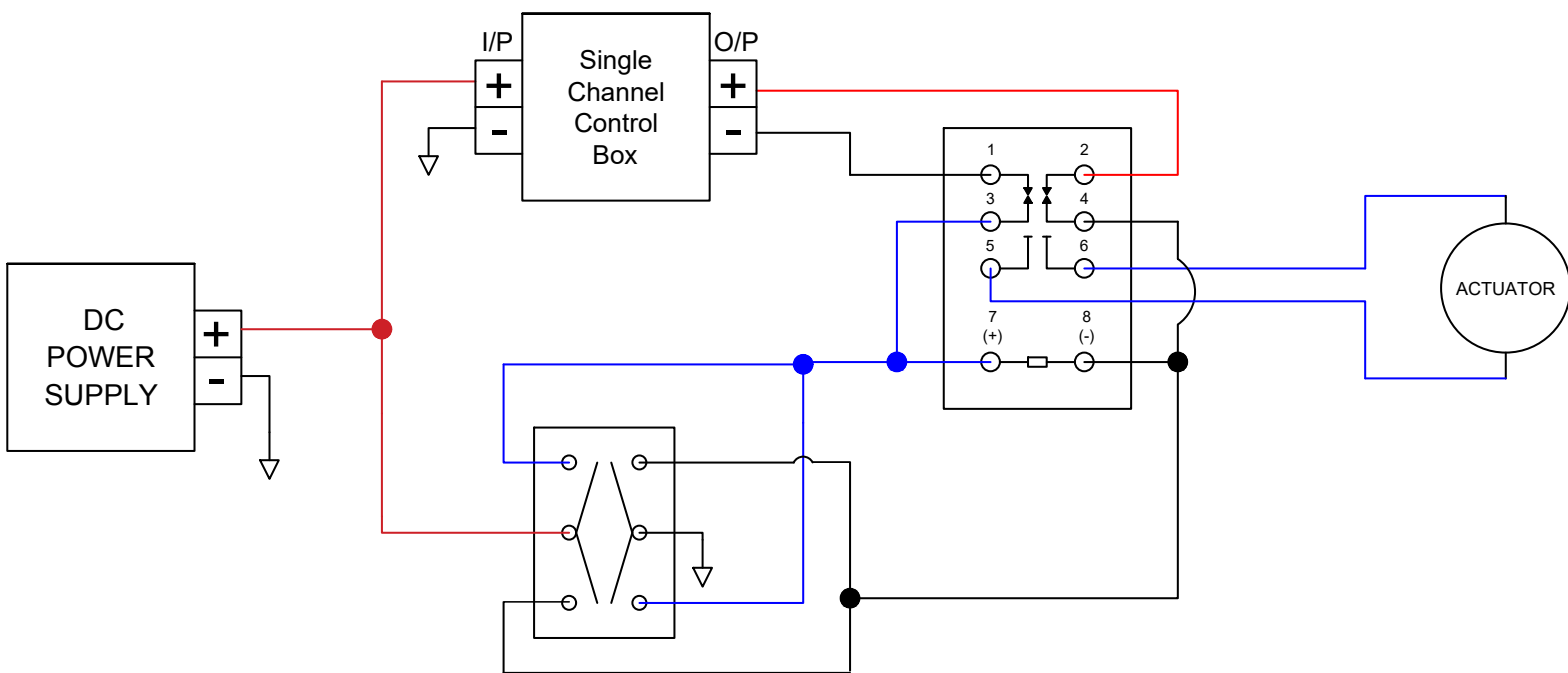
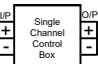


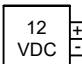
## Single Channel Control Box with Rocker Switch

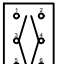
### Functionality:

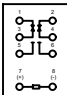
In this wiring configuration, a single channel control box and a rocker switch can be used in parallel. The relay ensures that voltage is not fed into the output of the control box. The rocker switch will override the control box in this configuration.




 Type: Control Box  
No. Connections:  
2 Input  
2 Output

 Type: DC Power Supply  
Connections: AC [L/N/G],  
DC [+V, COM]

 Type: DPDT Rocker Switch  
No. Connections: 6

 Type: DPDT Relay,  
Non-Latching  
No. Connections: 8

 Type: DC Motor,  
Bi-directional  
No. Connections: 2