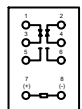
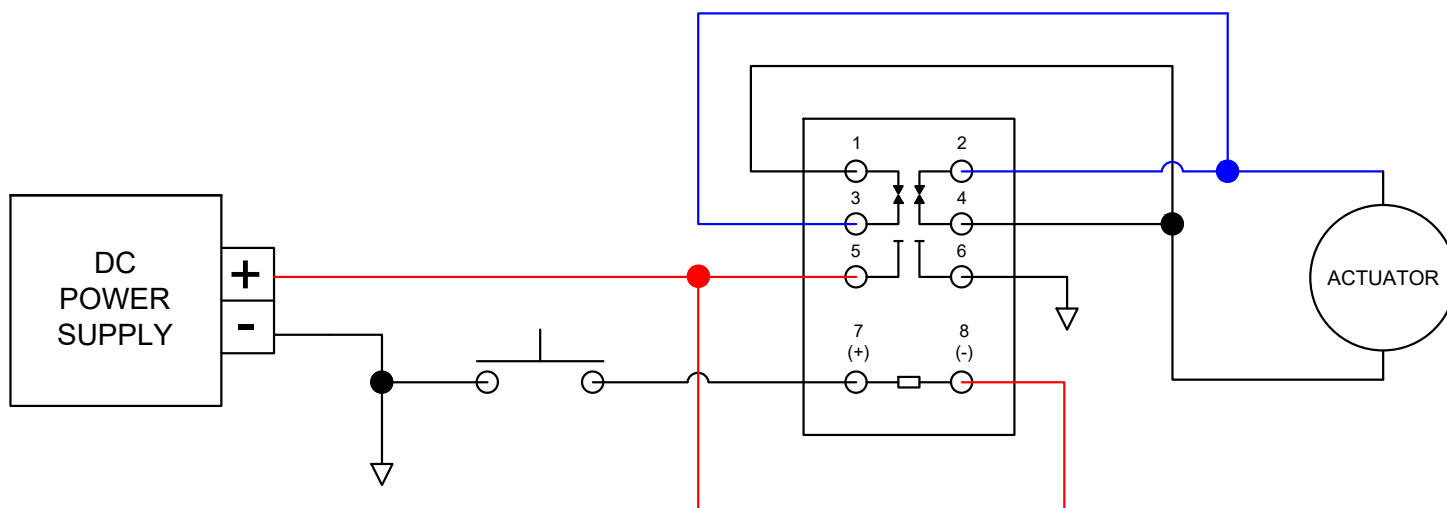


Push Button Control of a Linear Actuator

Functionality:

In this wiring configuration, when the push button is not active, the linear actuator will retract. When the push button is activated, the actuator will extend.



Type: DPDT Relay,
Non-Latching
No. Connections: 8



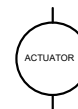
Type: Pushbutton
No. Connections: 2



Type: DC Power Supply
Connections: AC [L/N/G],
DC [+V, COM]



Type: DC Common Symbol
Connection Point: COM / -V on power
supply



Type: DC Motor,
Bi-directional
No. Connections: 2