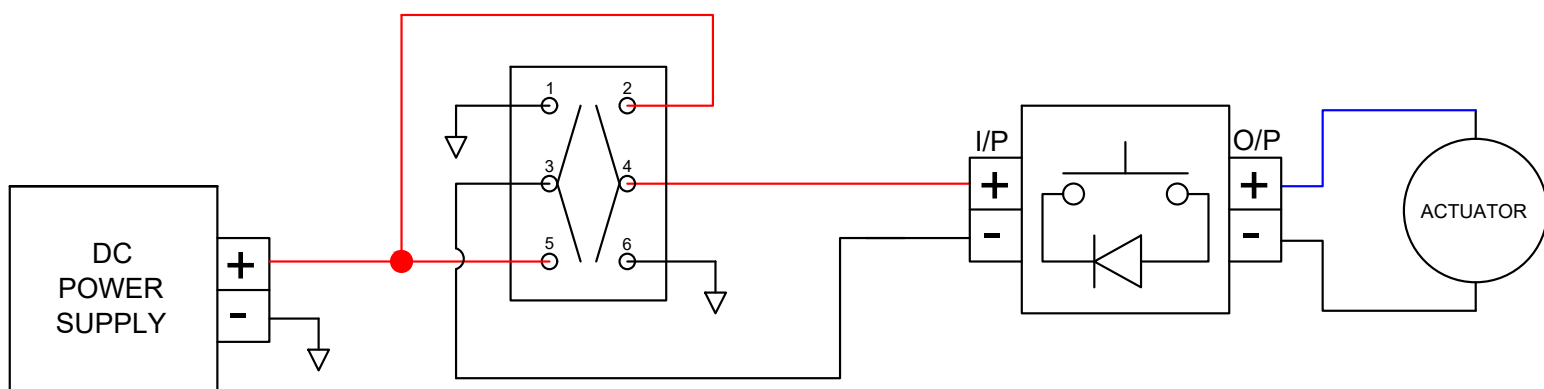


## Rocker Switch with External Limit Switch Control

### Functionality:

In this wiring configuration, the rocker switch will control the actuator in the extend and retract direction. If the limit switch is activated, the actuator will stop moving. Reversing the direction of the rocker switch will allow the actuator to move in the opposite direction.



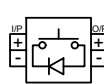
Type: DPDT Rocker Switch  
No. Connections: 6



Type: DC Power Supply  
Connections: AC [L/N/G],  
DC [+V, COM]



Type: DC Common Symbol  
Connection Point: COM / -V on  
power supply



Type: Limit Switch  
Note: I/P and O/P will depend on the  
desired current blocking direction of  
the diode.



Type: DC Motor,  
Bi-directional  
No. Connections: 2