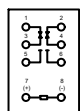
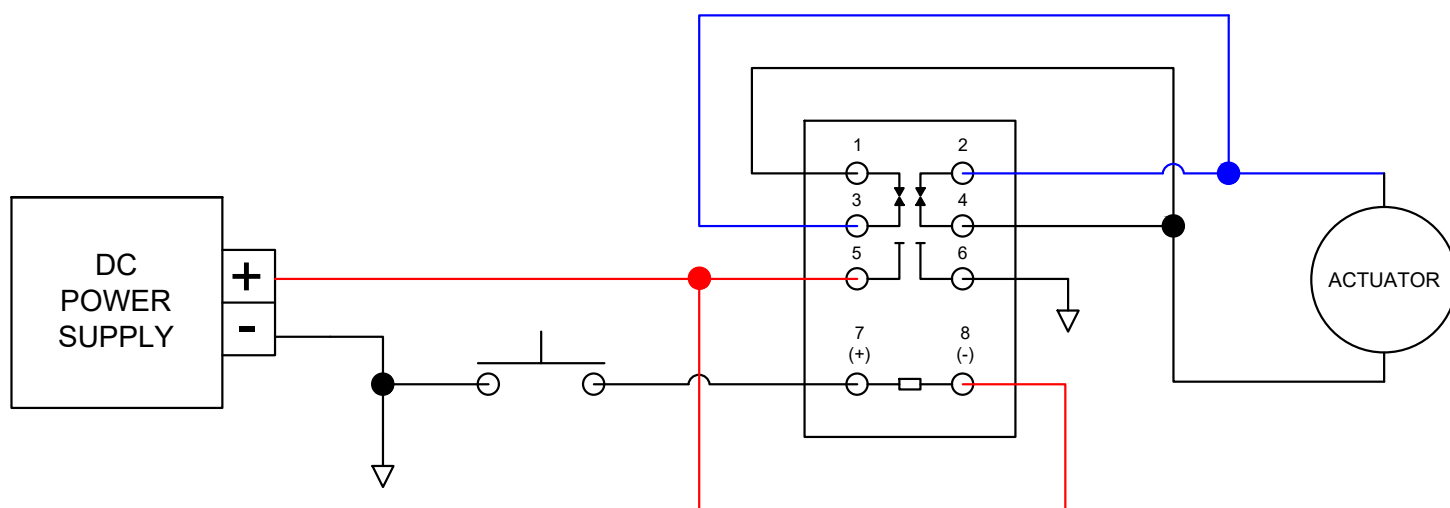


## Push Button Control of a Linear Actuator

### Functionality:

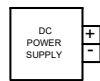
In this wiring configuration, when the push button is not active, the linear actuator will retract. When the push button is activated, the actuator will extend.



Type: DPDT Relay,  
Non-Latching  
No. Connections: 8



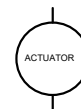
Type: Pushbutton  
No. Connections: 2



Type: DC Power Supply  
Connections: AC [L/N/G],  
DC [+V, COM]



Type: DC Common Symbol  
Connection Point: COM / -V on power  
supply



Type: DC Motor,  
Bi-directional  
No. Connections: 2