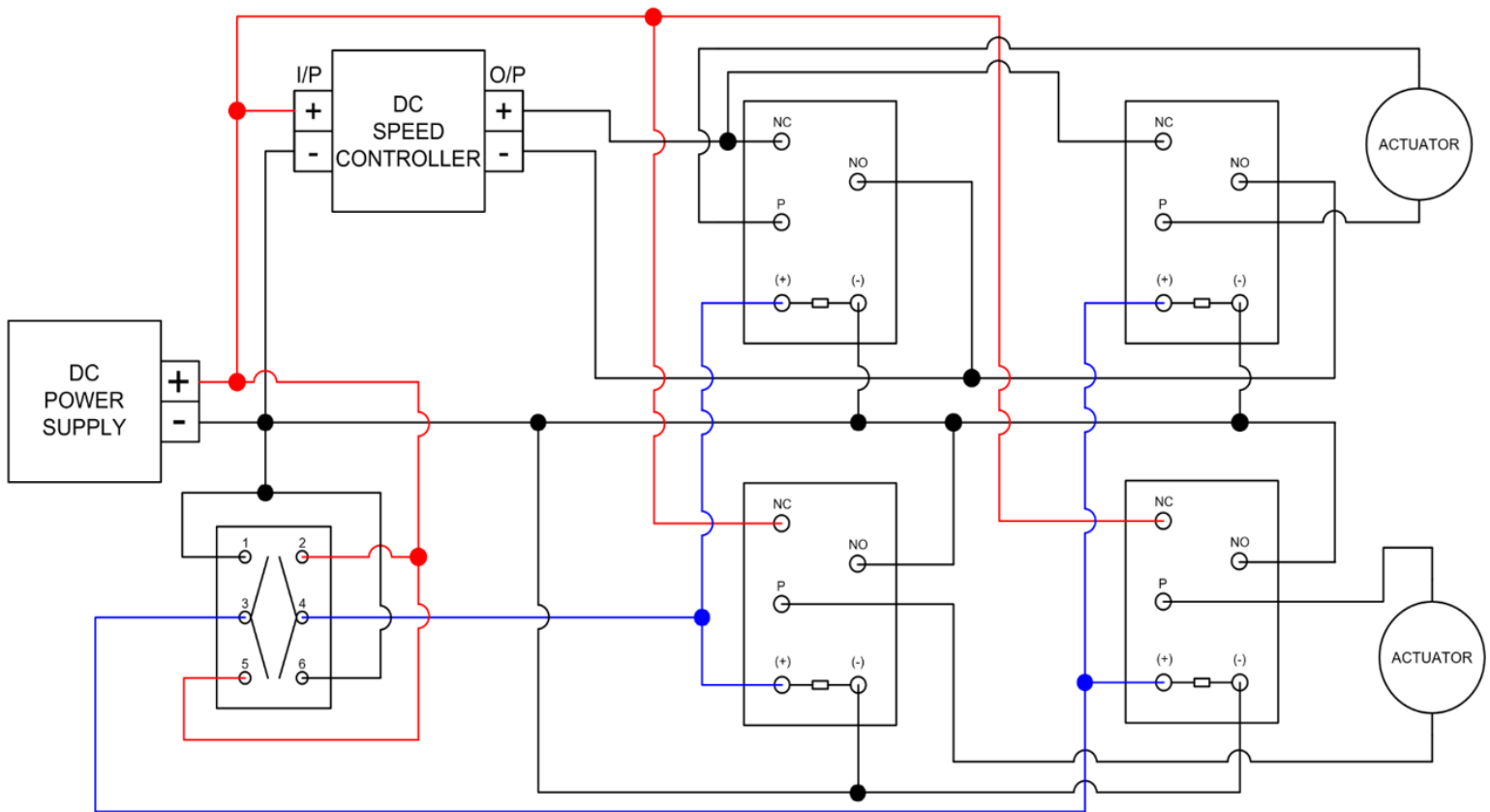


Parallel Control with Single Speed Controller

Functionality:

In this wiring configuration, parallel rocker switch control is achieved by using 4 SPDT relays. The relays allow for speed adjustments to be made on 1 actuator without effecting the other. The current rating of the relays and power supply should be adjusted if using high-current linear actuators.



Type: SPDT Relay,
Non-Latching
No. Connections: 5

Type: DC Speed
Controller Connections:
Power: +/- Output: +/-

Type: DC Power Supply
Connections: AC [L/N/G],
DC [+V, COM]

Type: DPDT Rocker Switch No.
Connections: 6

Type: DC Motor,
Bi-directional
No. Connections: 2