

PA-10 Data Sheet



Contents

Specifications	Page 2
Dimensions	Page 3
Speed/Current vs Load	Page 4
Connectors & Feedback	Page 5

Specifications



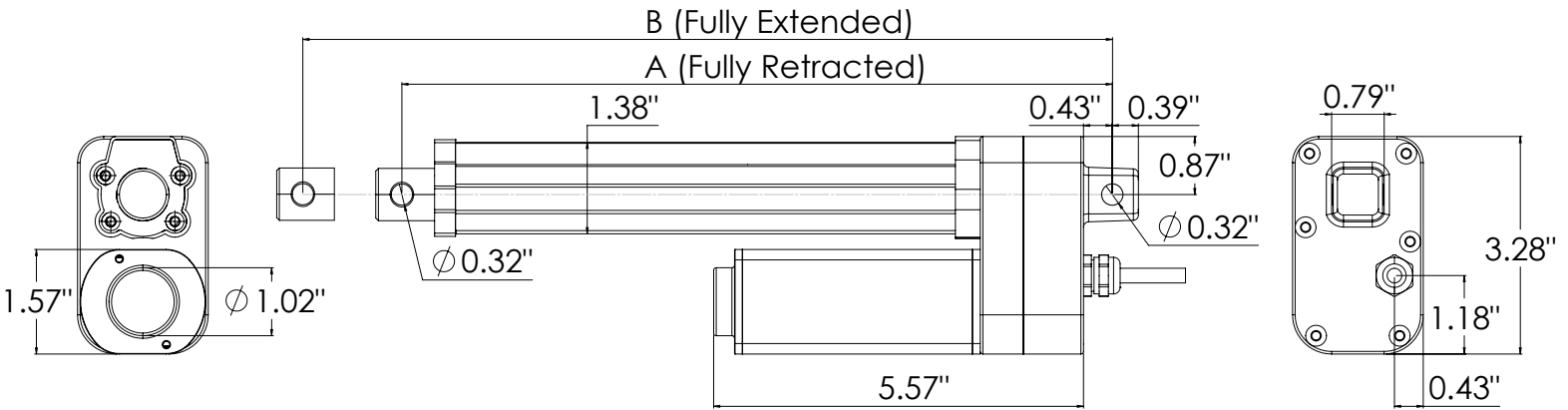
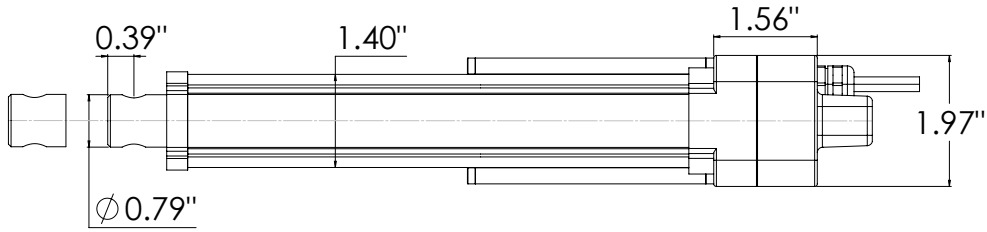
Load (LBS)		No Load Current (A)		Full Load Current (A)		Speed (inch/sec)	
Dynamic	Static	12VDC	24VDC	12VDC	24VDC	No Load	Full Load
450	450	≤1.5	-	≤6.0	-	0.28	0.16
225	225	-	≤1.5	-	≤3.2	0.74	0.57
450	450	-	≤1.5	-	≤4.0	0.56	0.33
675	675	-	≤1.5	-	≤4.2	0.31	0.22

Input Voltage	12VDC or 24VDC
Stroke	1.0" to 36.0"
Features	400-hour Salt Spray Rating (Salt Spray Rating Unit Only)
Feedback	Optional
Duty Cycle	20%
Weather Protection	IP68M, IP69K Static
Overload Protection	None
Operational Temperature	-20°C to 70°C
Operating Noise	<45 dBA
Limit Switch	Built-In (Non-Adjustable)
Cable Length	60"
Connector	Molex Mini-Fit Jr 2-Pin
Front Mounting Hole Size	0.32"
Rear Mounting Hole Size	0.32"
Actuator Type	Mini, Industrial
Motor Type	Brushed DC Motor
Screw Type	ACME
Stroke Rod Material	Stainless Steel
Housing Material	Anodic Oxidation (Standard), Porcelain Plating (Salt Spray Rating)
Gear Material	Polyoxymethylene
Certifications	UL
Compatible Mounting Brackets	BRK-09
Warranty	18 Months



Dimensions

(Dimensions in inches)



Hole to Hole

Stroke	1	2	4	6	8	10	12	14	16	20	22	24	30	36
PA-10														
A	6.7	6.7	8.7	10.7	12.7	14.7	16.7	18.7	20.7	25.1	27.1	29.9	35.9	41.9
B	7.7	6.7	12.7	16.7	20.7	24.7	28.7	32.7	36.7	45.1	49.1	53.9	65.9	77.9

For stroke length less than 2.0"

$A = 6.7''$

$B = \text{Stroke} + 6.7''$

For stroke length greater than 16" and less than 23.5"

$A = \text{Stroke} + 5.1''$

$B = \text{Stroke} + \text{Stroke} + 5.1''$

For stroke length 2.0" to 16"

$A = \text{Stroke} + 4.7''$

$B = \text{Stroke} + \text{Stroke} + 4.7''$

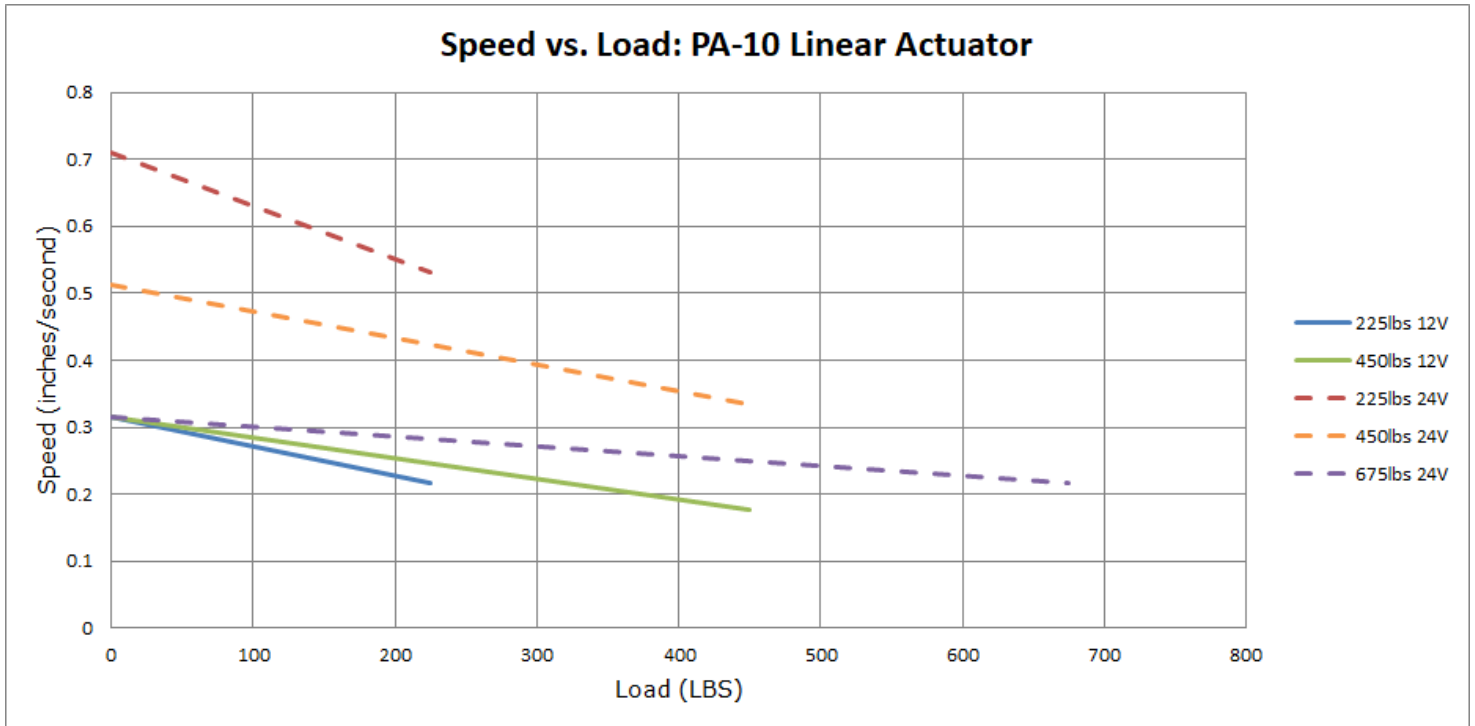
For Stroke Length 23.5" to 36.0"

$A = \text{Stroke} + 5.9''$

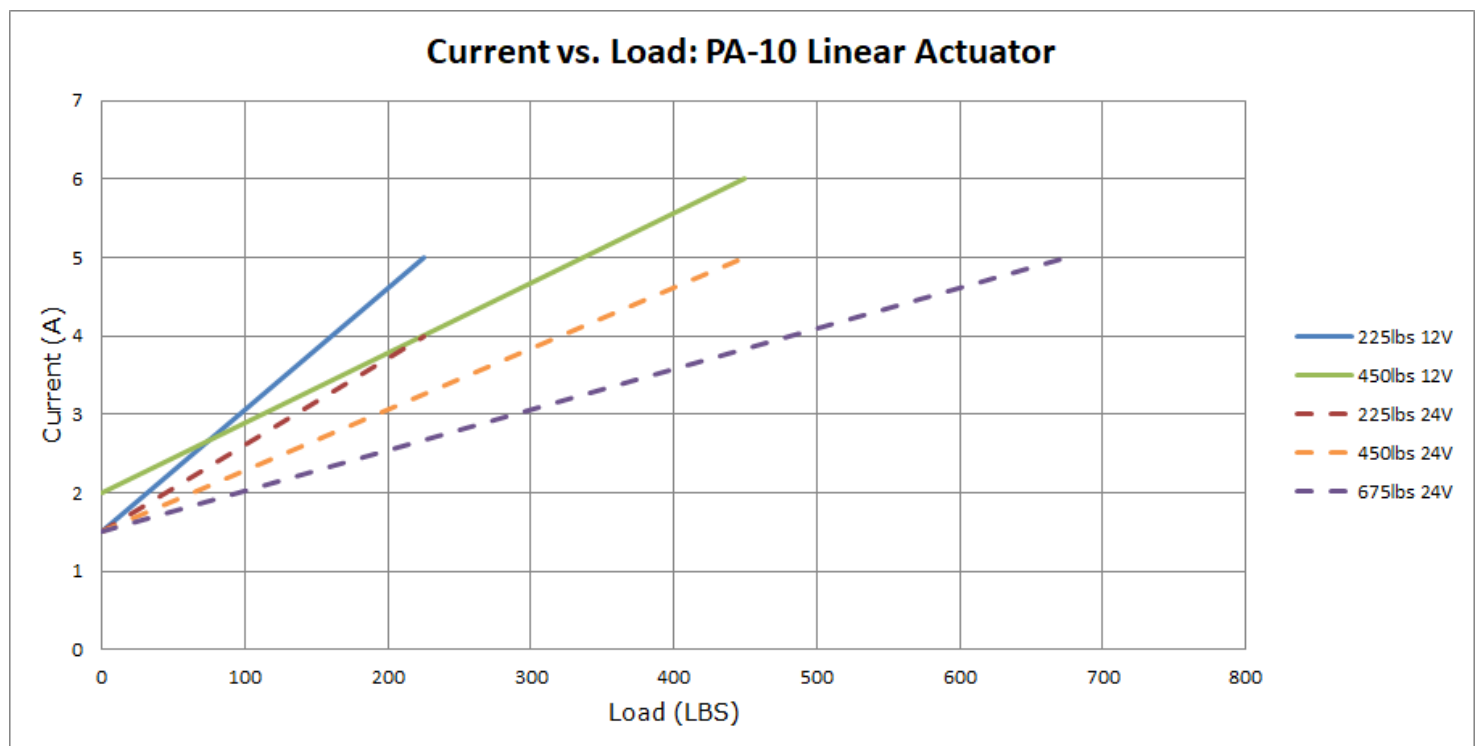
$B = \text{Stroke} + \text{Stroke} + 5.9''$



Speed vs Load



Current vs Load

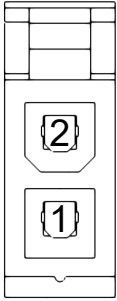




Connectors & Feedback

2-Pin Connector (Standard)

Front View

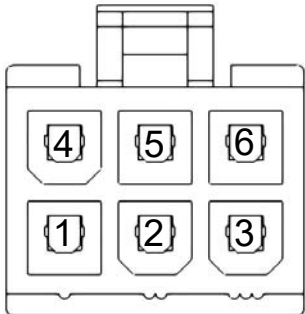


Motor	
1	2
M-	M+

Component	Part Name	Part Number	Mating Part Number
Housing	Mini-Fit Jr. Receptacle Housing, Dual Row, 6 Circuits, UL 94V-2, Natural	39-01-2020	39-01-3023
Pin 1 & 2	Molex Mini-Fit Junior Female Terminal, Tin-plated brass over copper, 18-24 AWG	39-00-0038	39-00-0040

6-Pin Hall Effect Connector

Front View



Motor		Hall Sensor			
4	5	1	2	3	6
M- (Retract)	M+ (Extend)	Hall Effect Signal 2	GND	+5VDC	Hall Effect Signal 1

Component	Part Name	Part Number	Mating Part Number
Housing	Mini-Fit Jr. Receptacle Housing, Dual Row, 6 Circuits, UL 94V-2, Natural	39-01-2060	39-01-3063
Pin 1 - 6	Molex Mini-Fit Junior Female Terminal, Tin-plated brass over copper, 18-24 AWG	39-00-0038	39-00-0040

Output Signal Extending		Output Signal Retracting	
Hall Effect 1 Signal		Hall Effect 1 Signal	
Hall Effect 2 Signal		Hall Effect 2 Signal	

Voltage (VDC)	Force (lbs)	Resolution (pulses/inch)
12	450	445
24	450	241
24	225	183
24	675	470