

**PA-102**

**Data Sheet**



## **Contents**

Specifications	Page 2
Dimensions	Page 3
Load vs Speed/Current	Page 4
Mounting Brackets	Page 5
Hall Effect Specifications	Page 6

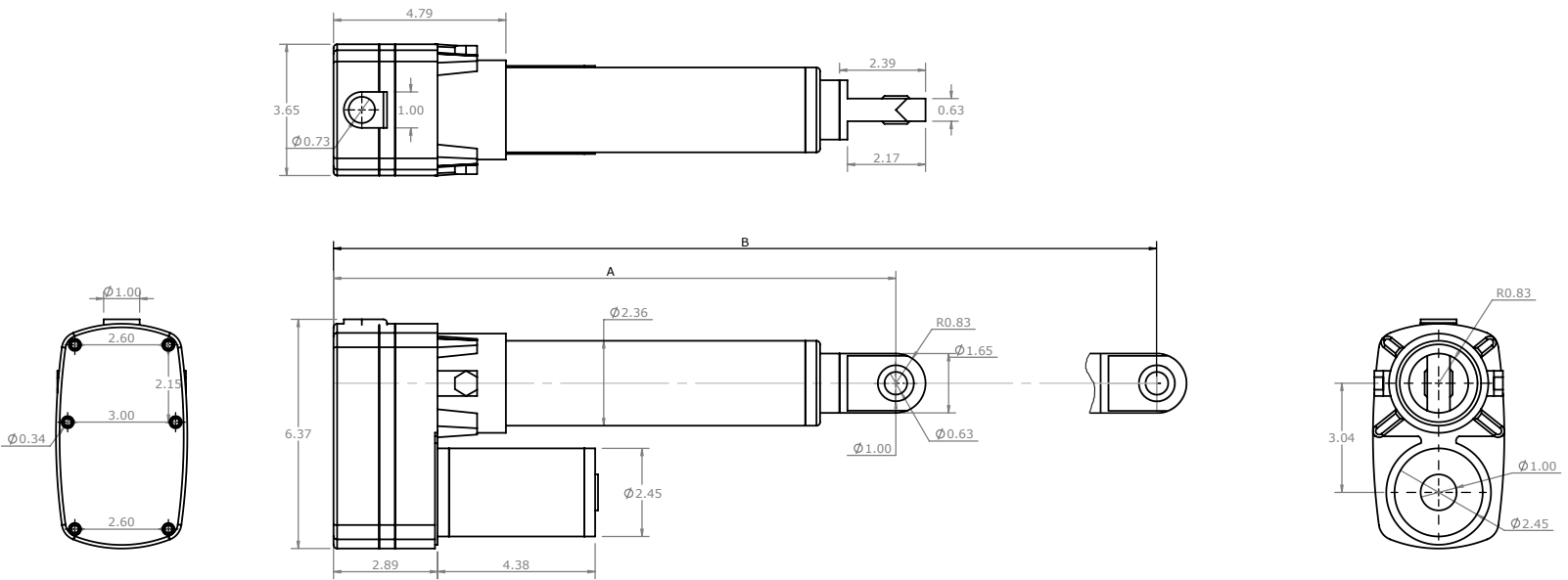
# Specifications



<b>Input Voltage</b>	24VDC
<b>Current (Full Load)</b>	5A
<b>Current (No Load)</b>	>1A
<b>Force (Static)</b>	9000 lbs
<b>Force (Dynamic)</b>	3300 lbs
<b>Speed (Full Load)</b>	0.08"/sec
<b>Speed (No Load)</b>	0.12"/sec
<b>Stroke</b>	20"-47"
<b>Protection Class</b>	IP66
<b>Operational Temperature</b>	-26°C~65°C (-14.8°F~149°F)
<b>Noise</b>	60 dB
<b>Duty Cycle</b>	20%
<b>Limit Switch</b>	Internal, non-adjustable
<b>Limit Switch Feedback</b>	Optional
<b>Feedback Options</b>	Hall Effect (see Page 6)
<b>Wire Length</b>	40"
<b>Motor Type</b>	Brushed DC Motor
<b>Screw Type</b>	ACME Screw
<b>Housing Material</b>	Stainless Steel
<b>Rod Material</b>	304 Stainless Steel
<b>Gear Material</b>	Powder Metallurgy
<b>Rubber Boot Option</b>	Yes
<b>Motor End Mounting Point</b>	Optional
<b>Certifications</b>	N/A
<b>Mounting Brackets</b>	See Page 5



# Dimensions



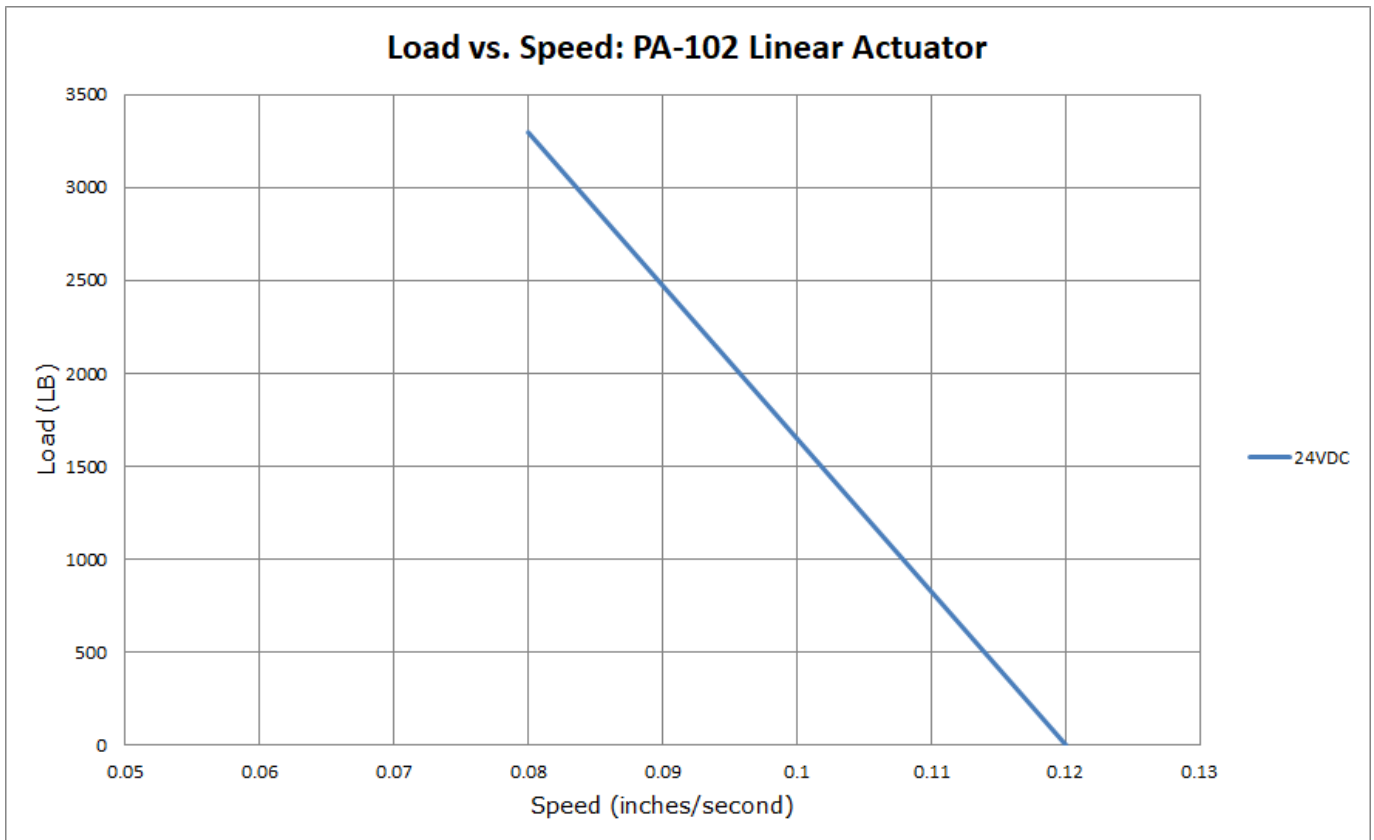
## **For stroke length**

$$A = \text{Stroke Length} + 7.87''$$

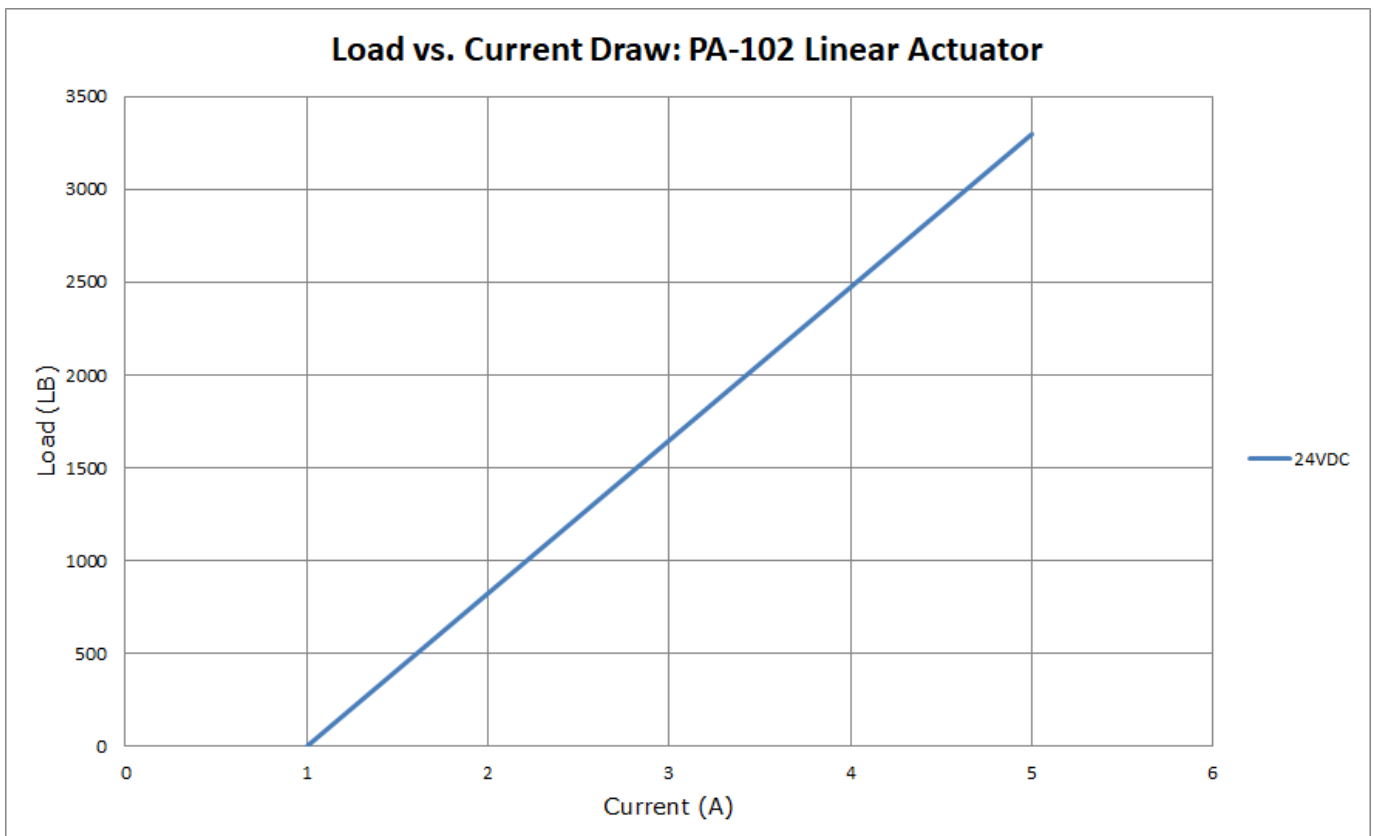
$$B = \text{Stroke Length} \times 2 + 7.87''$$



# Load vs Speed



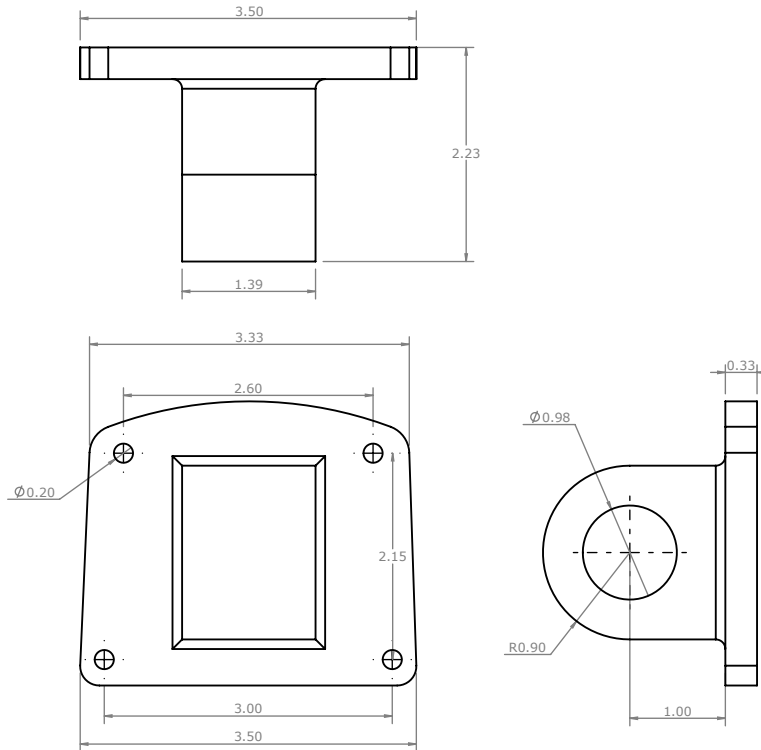
# Load vs Current



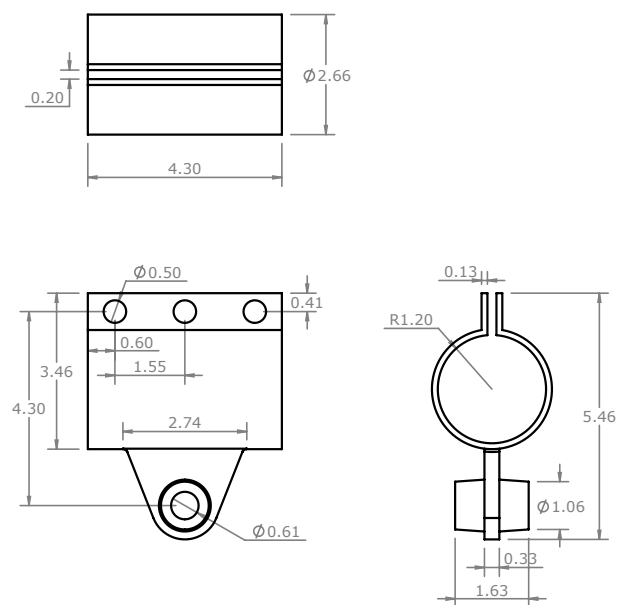


# Mounting Brackets

## BRK-102-Motor



## BRK-102-Shaft



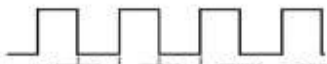



# Hall Effect Specifications



Pulses/inch	Resolution
0.49	0.00315

Power		Signal			
1	4	2	3	5	6
M+	M-	GND	VCC	Data 1	Data 2

Output Signal Extending	Output Signal Retracting
<p>Hall Effect 1 Signal </p> <p>Hall Effect 2 Signal </p>	<p>Hall Effect 1 Signal </p> <p>Hall Effect 2 Signal </p>