

**PA-101**

**Data Sheet**



## **Contents**

Specifications	Page 2
Dimensions	Page 3
Load vs Speed/Current	Page 4
Mounting Brackets	Page 5
Hall Effect Specifications	Page 6

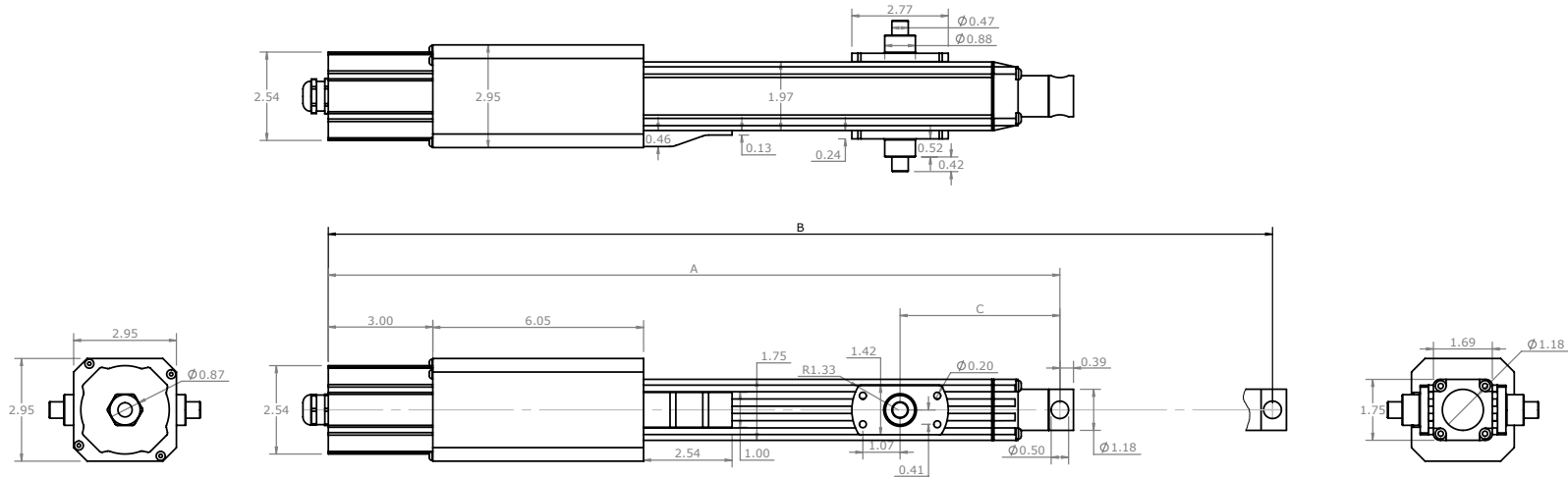
# Specifications



<b>Input Voltage</b>	30VDC
<b>Current (Full Load)</b>	4A
<b>Current (No Load)</b>	2A
<b>Force (Static)</b>	3300 lbs
<b>Force (Dynamic)</b>	1350 lbs
<b>Speed (Full Load)</b>	0.15"/sec
<b>Speed (No Load)</b>	0.16"/sec
<b>Stroke</b>	8" - 31"
<b>Protection Class</b>	IP66
<b>Operational Temperature</b>	-30°C~70°C (-62°F~158°F)
<b>Noise</b>	60 dB
<b>Duty Cycle</b>	20%
<b>Limit Switch</b>	Built-in Two Way Mechanical Brake
<b>Limit Switch Feedback</b>	N/A
<b>Feedback Options</b>	Hall Effect (see Page 6)
<b>Wire Length</b>	40"
<b>Motor Type</b>	Stepper Motor
<b>Screw Type</b>	Ball Screw
<b>Housing Material</b>	Aluminum Alloy
<b>Gear Material</b>	Powder Metallurgy
<b>Rod Material</b>	304 Stainless Steel
<b>Certifications</b>	UV Ray, Salt Exposure
<b>Mounting Bracket</b>	See Page 5



# Dimensions



## **For stroke length**

$$A = \text{Stroke Length} + 7.87''$$

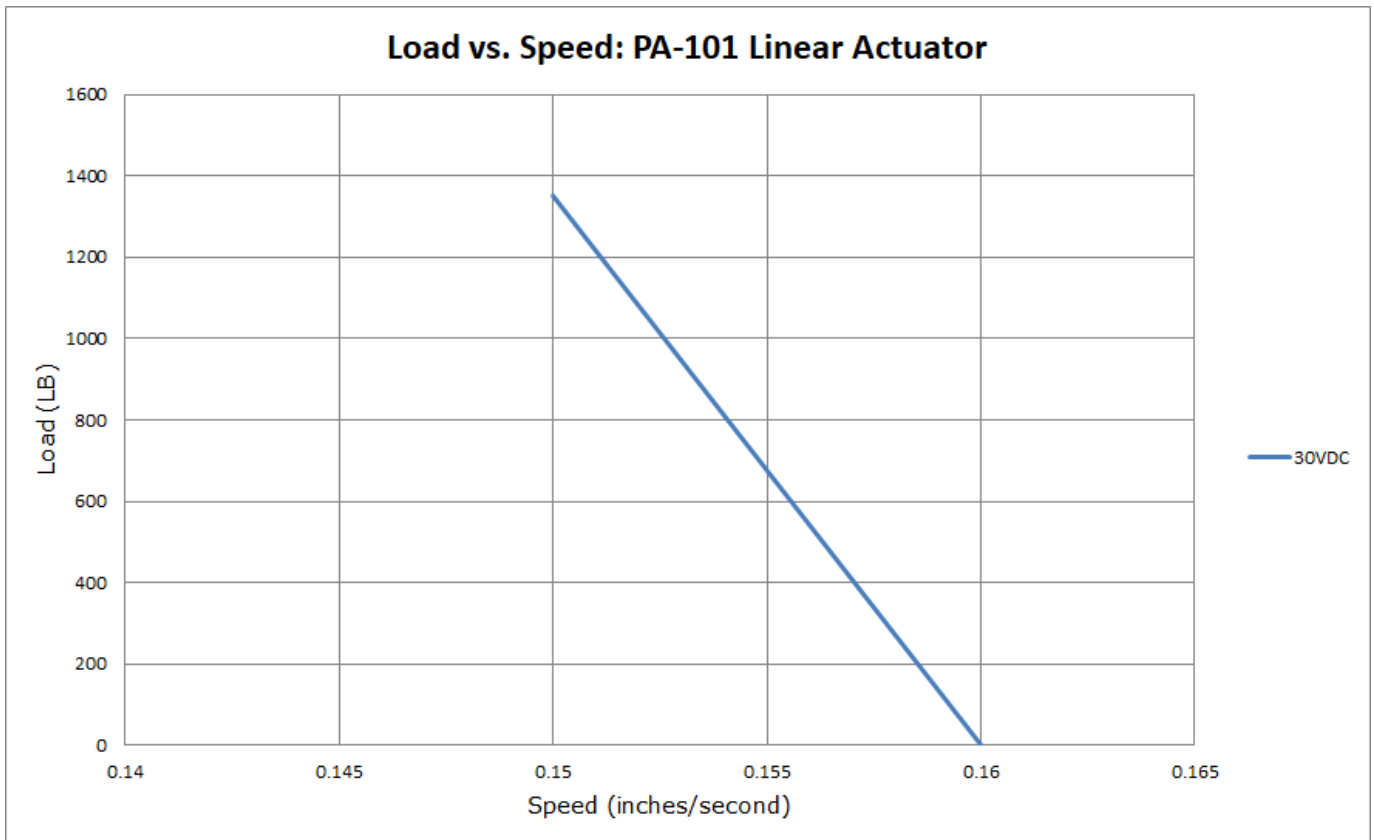
$$B = \text{Stroke Length} \times 2 + 7.87''$$

## **For shaft mounting length**

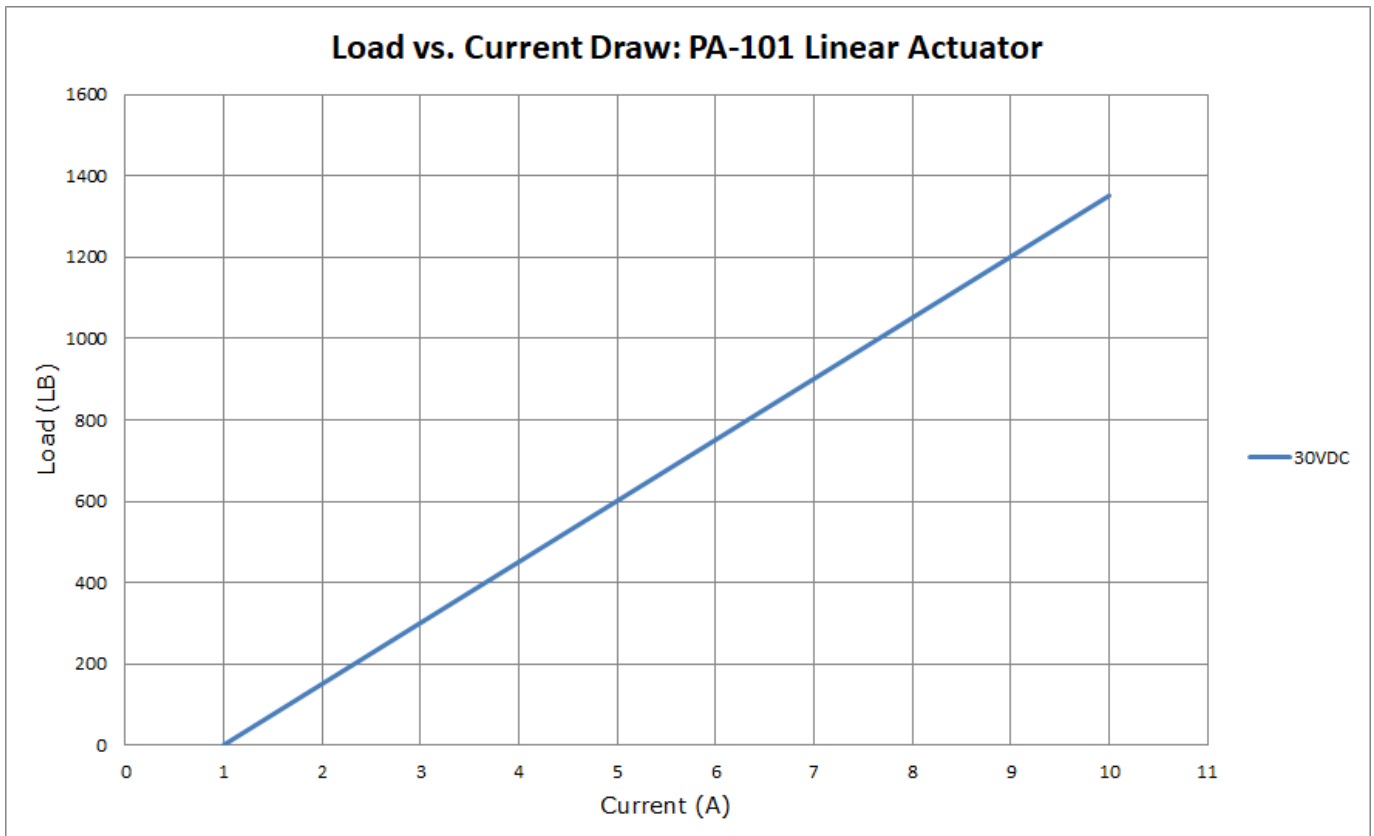
$$C = \text{Shaft mounting} + \text{Stroke}$$



# Load vs Speed

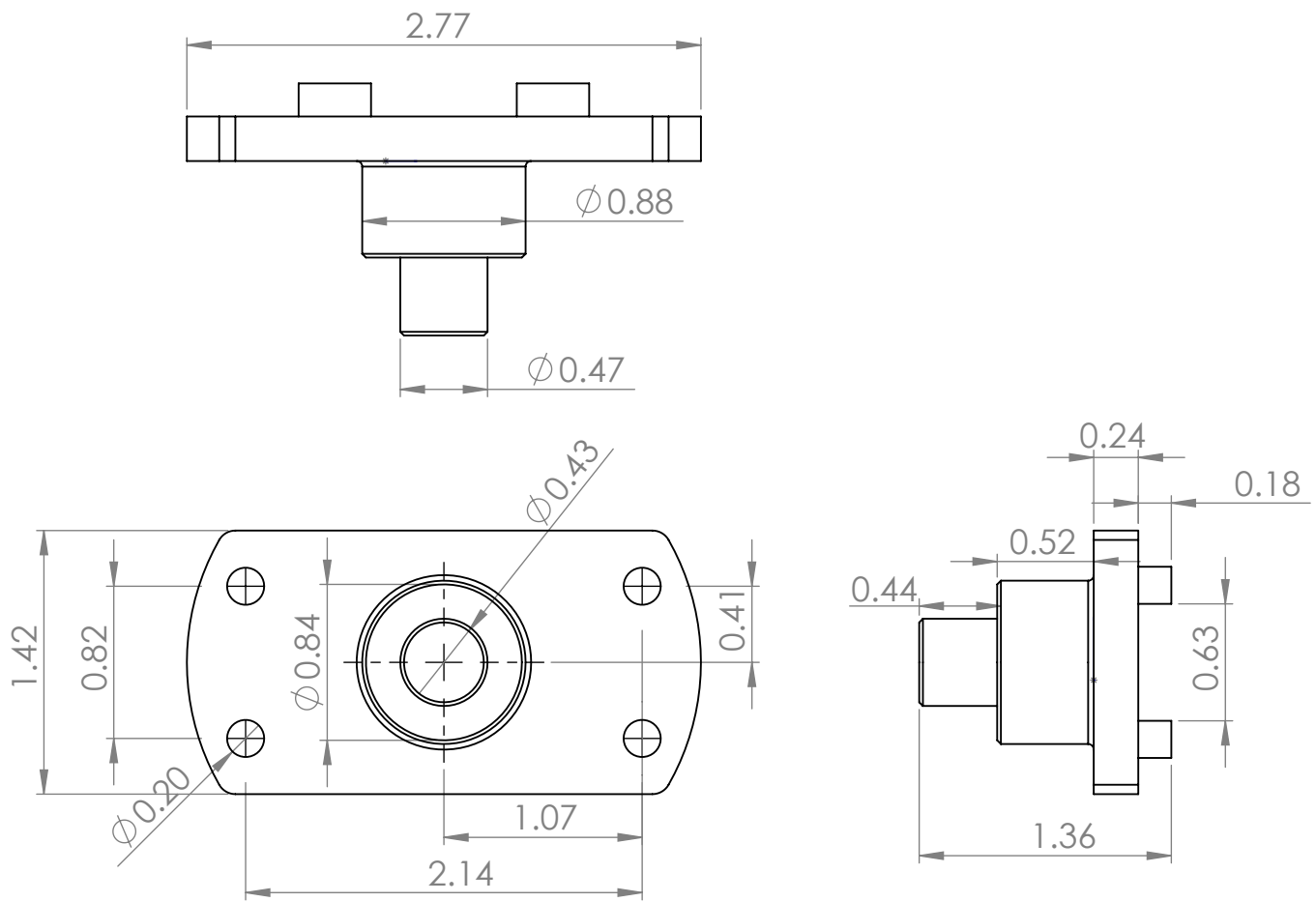


# Load vs Current





## BRK-101-Motor



\*Bracket location is required by customer before unit is produced

# Hall Effect Specifications



Pulses/inch	Resolution
3.78	0.00041

Power		Signal			
1	4	2	3	5	6
M+	M-	GND	VCC	Data 1	Data 2

