

PA-04

Data Sheet



Contents

Specifications	2
Dimensions	3
Speed/Current vs Load	4
Connectors & Feedback	5
Mounting Ends	6
Mounting Brackets	7
Internal Components	8
Internal Descriptions	9

Specifications



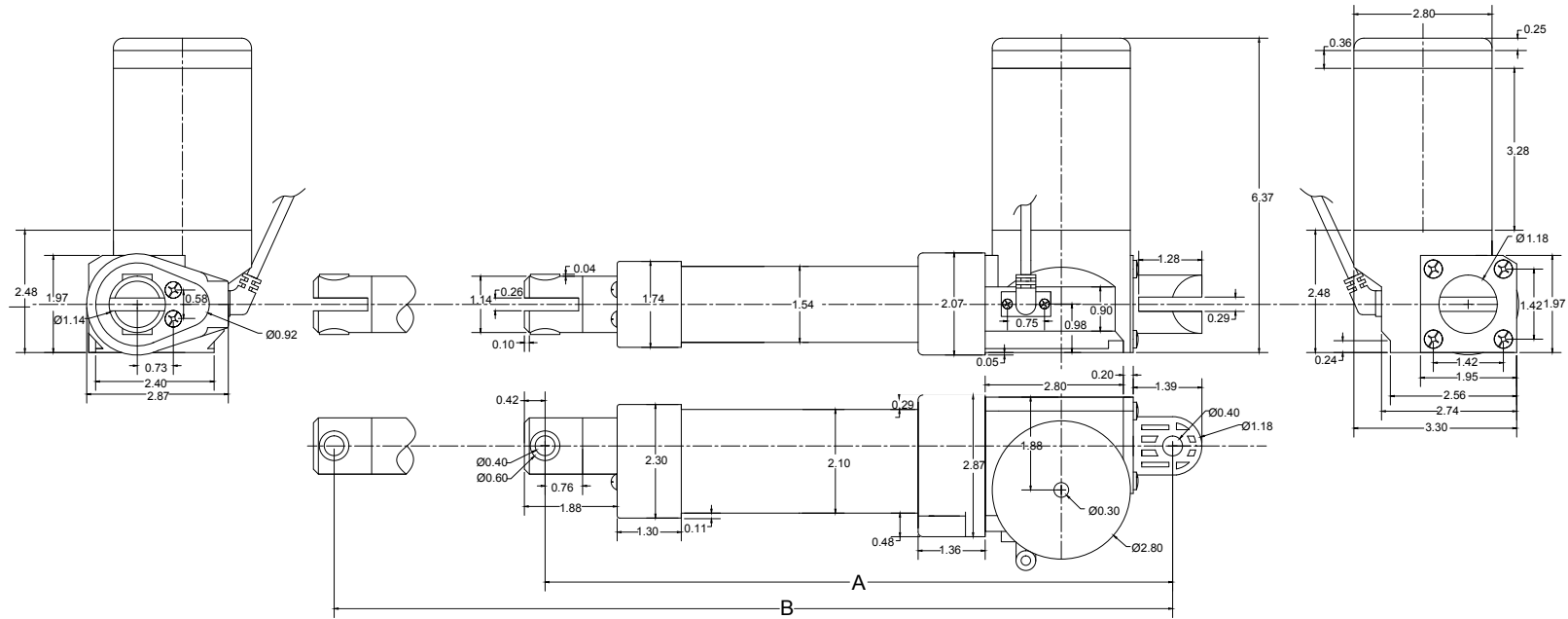
Load (LBS)		No Load Current (A)		Full Load Current (A)		Speed (inch/sec)	
Dynamic	Static	12VDC	24VDC	12VDC	24VDC	No Load	Full Load
100	100	4.0	2.0	12.0	6.0	2.80	2.16
400	400	4.0	2.0	12.0	6.0	0.98	0.78
600	600	4.0	2.0	12.0	6.0	0.50	0.30
900	900	4.0	2.0	14.0	6.0	0.47	0.39
1350	1350	4.0	2.0	14.0	6.0	0.31	0.24

Stroke	1" to 40"
Limit Switch	Internal - Non-Adjustable
Limit Switch Feedback	Available in 24VDC Only
Screw Type	ACME Screw
Motor Type	Brushed DC Motor
Connector Type	See Page 5
Wire Length	40" (customizable)
Housing Material	Aluminum Alloy
Rod Material	Aluminum Alloy
Gear Material	Polyformaldehyde
Color (Shaft)	Silver
Color (Motor End)	Black
Noise	<45dB
Duty Cycle	20% (4 minutes on, 16 minutes off)
Operational Temperature	-25°C to 65°C (-13°F to 149°F)
Protection Class	IP66
Feedback Options	Hall Effect, Reed Switch, or Limit Switch Feedback (see page 5)
Certifications	CE/RoHS (UL customizable)
Mounting Brackets	See Page 7
Mounting Ends	See Page 6



Dimensions

(Dimensions in inches)



Hole to Hole

Stroke	1	2	3	4	6	8	9	10	12	14	16	18	20	22	24	30	40	50	60	
PA-04																				
A	8.87	9.87	10.87	11.87	13.87	15.87	16.87	17.87	19.87	21.87	23.87	25.87	27.87	29.87	31.87	37.87	47.87	57.87	67.87	
B	9.87	11.87	13.87	15.87	19.87	23.87	25.87	27.87	31.87	35.87	39.87	43.87	47.87	51.87	55.87	67.87	87.87	107.87	127.87	

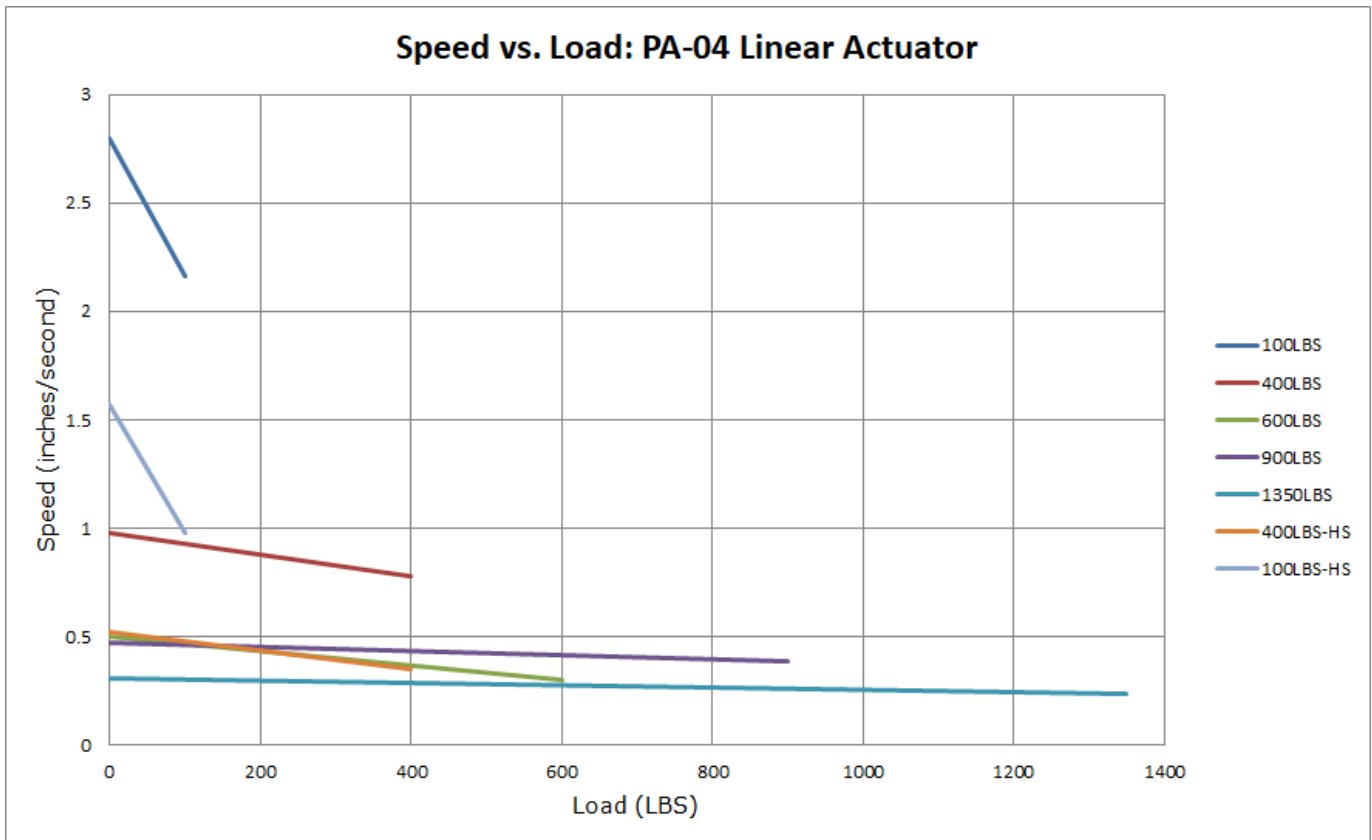
For Stroke Length

A = Stroke Length + 7.87"

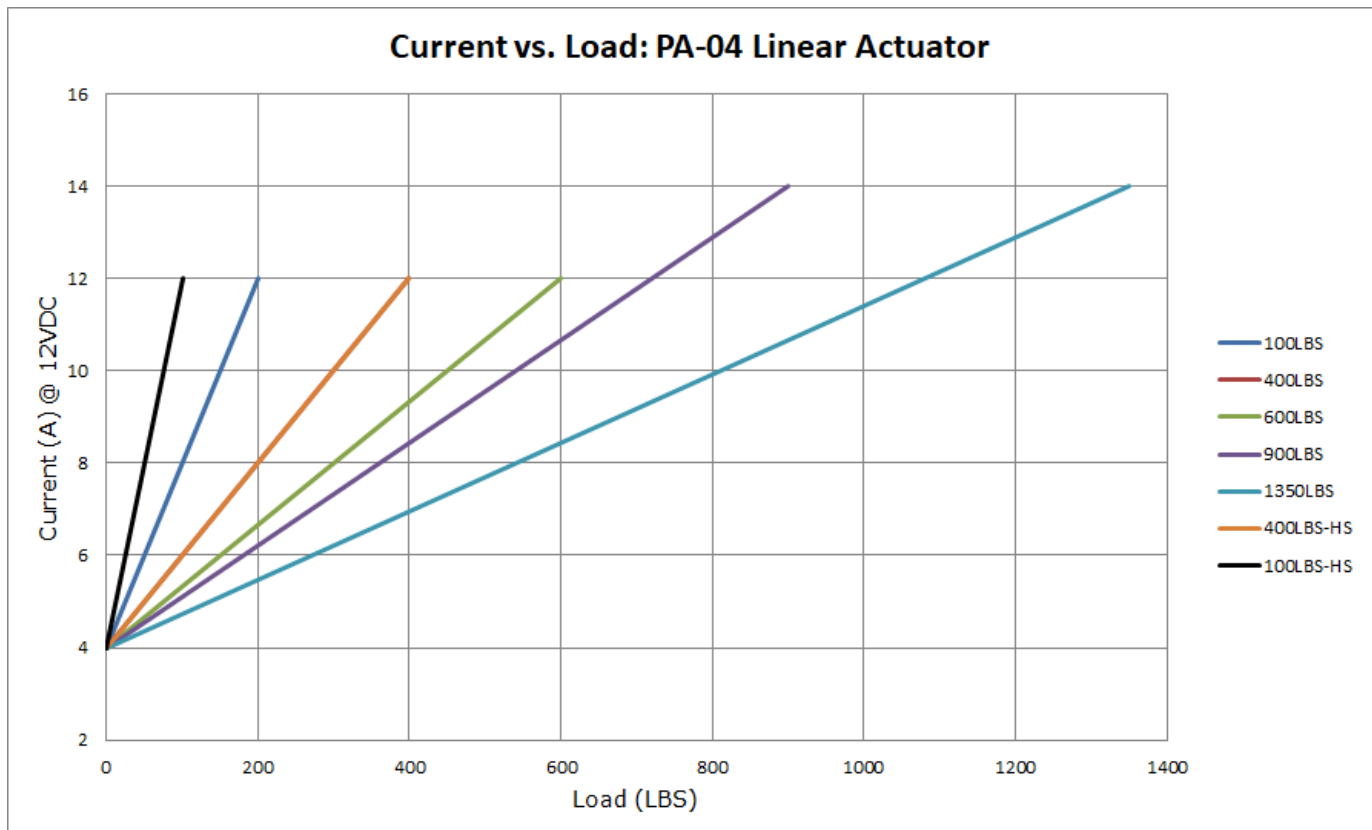
B = Stroke Length x 2 + 7.87"



Speed vs Load

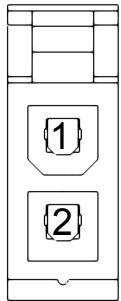


Current vs Load





2-Pin Connector (Standard)



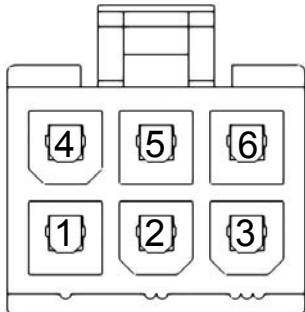
Motor	
1	2
M-	M+

Component	Part Name	Part Number	Mating Part Number
Housing	Molex Mini Fit Jr 2-Pin Receptacle	39-01-2025	39-01-3029/ 39-01-2026

6-Pin Hall Effect Connector

*For Stroke Lengths 6" to 40"

Front View



Motor		Hall Sensor			
4	5	2	3	1	6
M+ (Extend)	M- (Retract)	GND	+5VDC	Signal 2 Leads when Extending	Signal 1 Leads when Retracting

Component	Part Name	Part Number	Mating Part Number
Housing	Molex Mini Fit Jr 6-Pin Receptacle	39-01-2065	39-01-2069/ 39-01-2066

Output Signal Extending		Output Signal Retracting	
Hall Effect 1 Signal		Hall Effect 1 Signal	
Hall Effect 2 Signal		Hall Effect 2 Signal	

Force	Resolution (pulses/inch)
100	3,505
400	11,278
600	23,774
900	23,774
1350	30,480

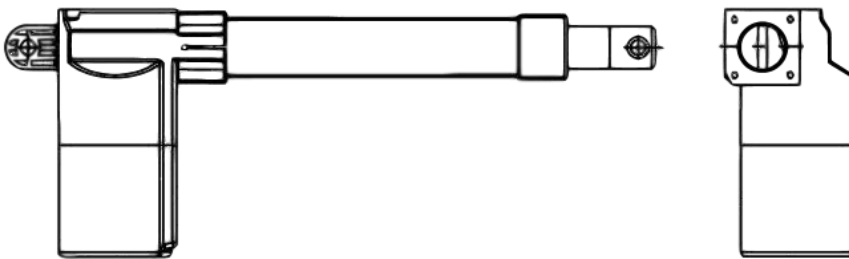


Mounting Ends

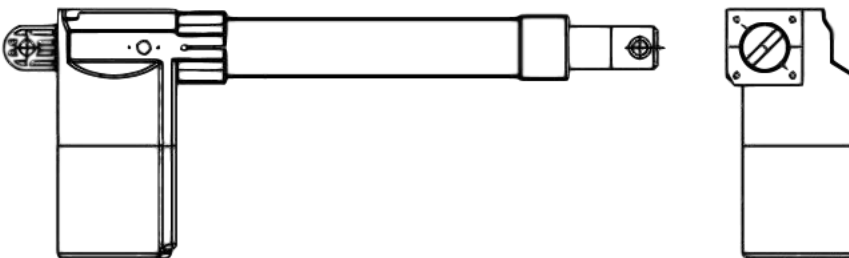
H-Type Clevis (Standard)



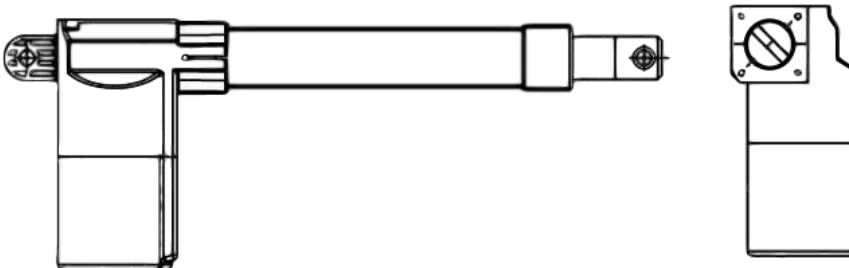
V-Type Clevis



45 Degree Type Clevis 1



45 Degree Type Clevis 2

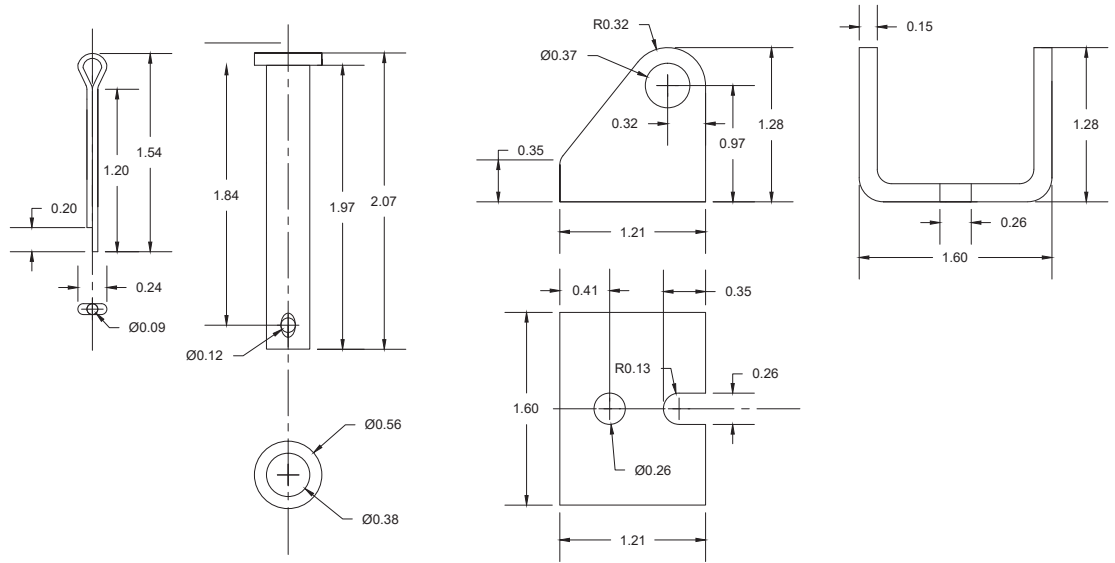




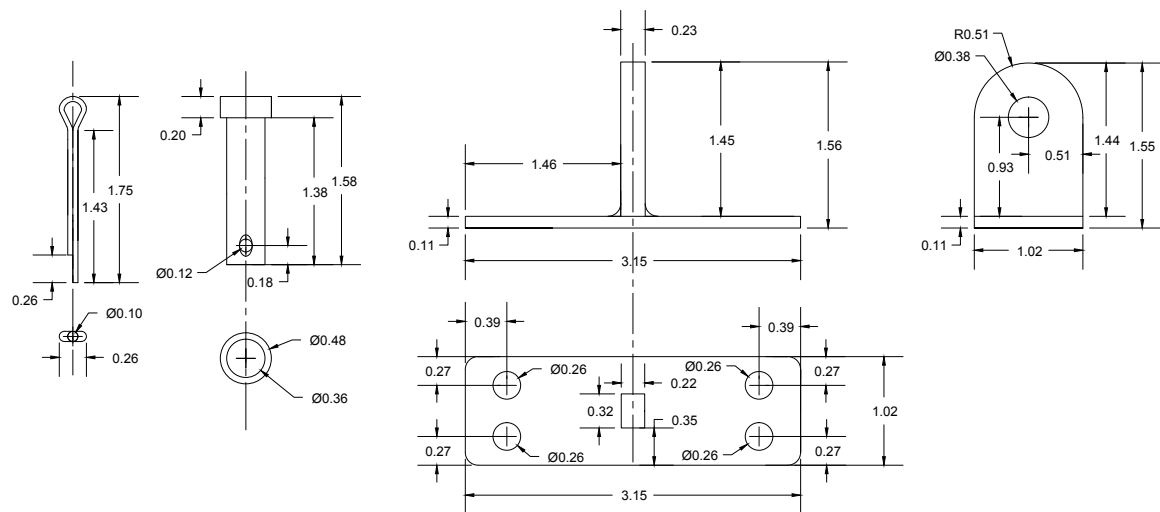
Mounting Brackets

(Dimensions in inches)

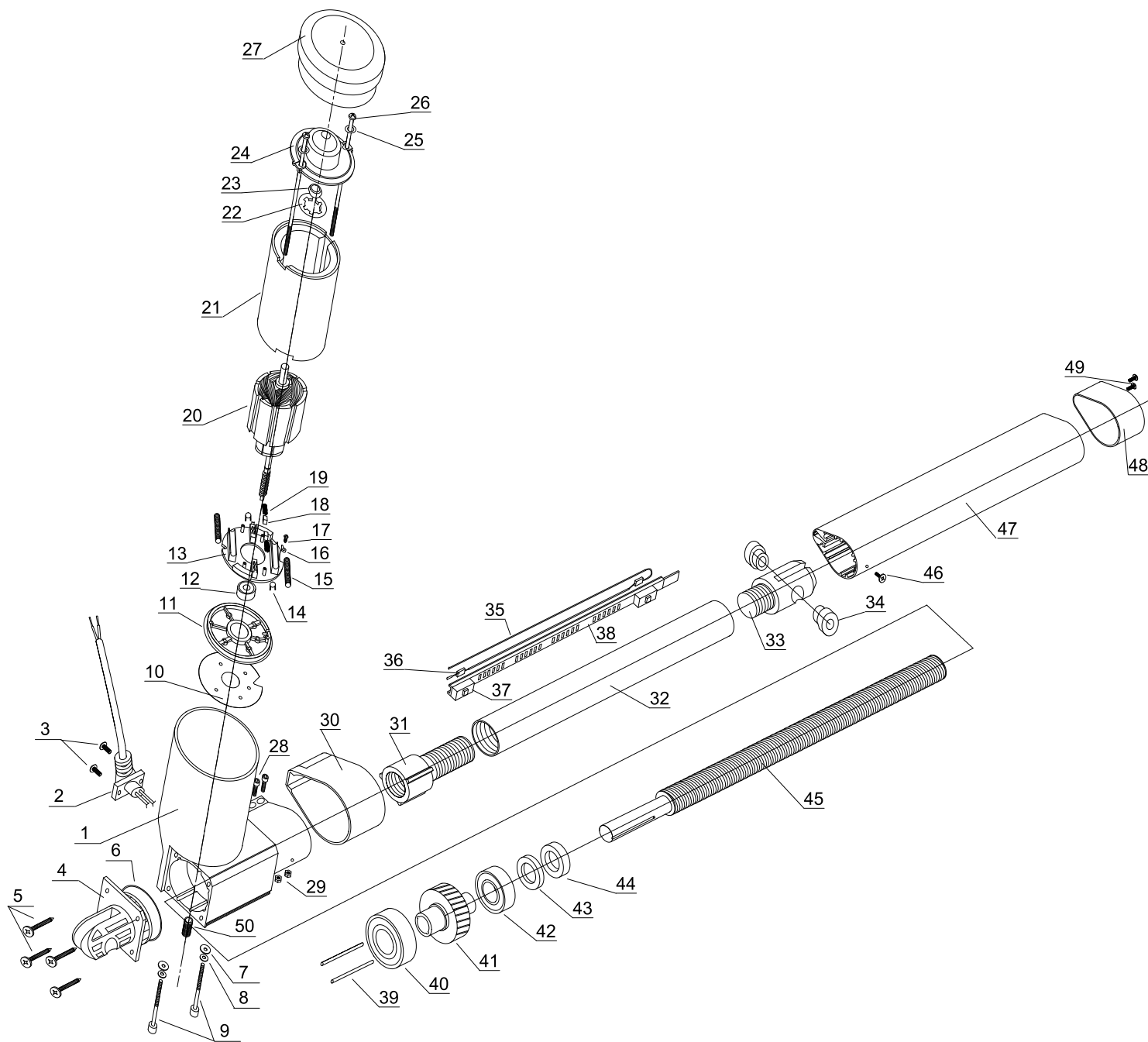
BRK-02



BRK-01



Internal Components



Internal Descriptions



Item	Description	Qty
1	Actuator Enclosure	1
2	Power Cable With Mounting	1
3	Power Cable Screw	2
4	Case Mounting Bracket	1
5	Mounting Bracket Screw	4
6	Mounting Bracket O-Ring	1
7	Motor Unit Screw Washer	2
8	Motor Unit Screw Spring Washer	2
9	Motor Unit Screw	2
10	Motor Case Gasket	1
11	Motor Base	1
12	Motor Lower Bearing	1
13	Brush Holder PCB	1
14	Capacitor	2
15	Inductor	2
16	Cable Lock	1
17	Cable Lock Screw	1
18	Electric Motor Brush	2
19	Brush Spring	2
20	Electric Motor Rotor	1
21	Electric Motor Enclosure With Stator	1
22	Top Bearing Holder	1
23	Top Bearing	1
24	Motor Top Enclosure	1
25	Motor Screw Washer	2

Item	Description	Qty
26	Motor Screw	2
27	Actuator Top Cap	1
28	Shaft Enclosure Side Screw	2
29	Shaft Enclosure Side Screw Nut	2
30	Shaft Enclosure Protector	1
31	Bottom Shaft Guide	1
32	Shaft	1
33	Shaft Mounting Top	1
34	Mounting Hole Guard	2
35	Wire	1
36	Diode	2
37	Limit Switch	2
38	Limit Switch Base	1
39	Drive Gear Wheel Pin	2
40	Shaft Drive Bottom Bearing	1
41	Drive Gear Wheel	1
42	Shaft Drive Bearing	1
43	Shaft Drive Small Spacer	1
44	Shaft Drive Spacer	1
45	Treaded Shaft Drive	1
46	Shaft Enclosure Screw	1
47	Shaft Enclosure	1
48	Shaft Enclosure Top Cap	1
49	Shaft Enclosure Top Cap Screw	1
50	Rotor Control Screw	1