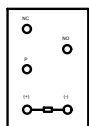
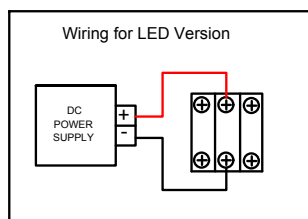
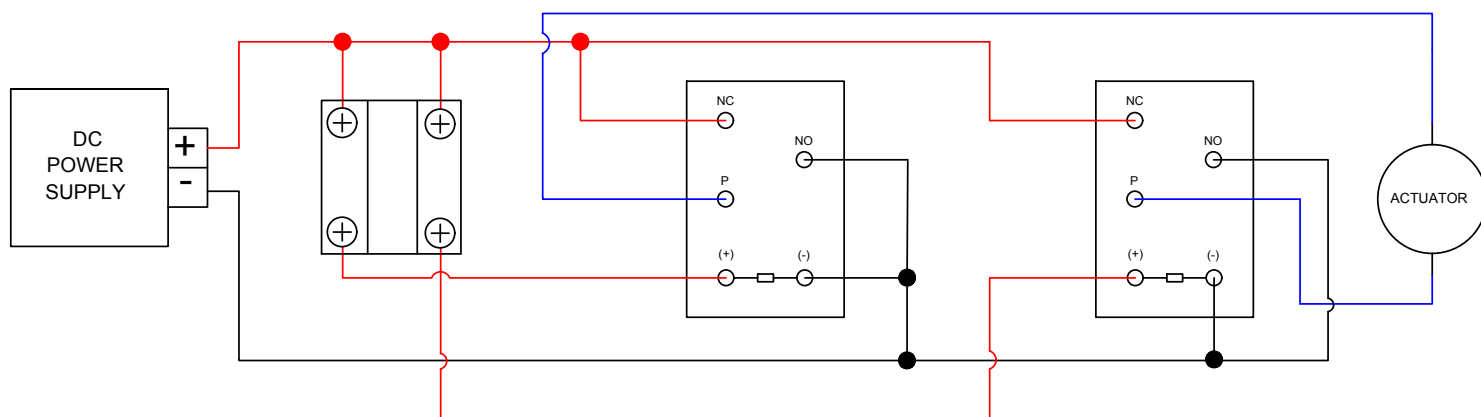


Key, Turn Switch Control of a Linear Actuator

Functionality:

In this wiring configuration, by using 2 x SPDT relays, you are able to achieve actuator control using a key/turn switch. Please note that relays are required to use the key/turn switch.

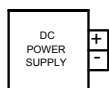


Type: SPDT Relay,
Non-Latching

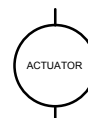
No. Connections: 5



Type: Switch
No. Connections:
4 (Non-LED)
or
6 (With LED)



Type: DC Power Supply
Connections: AC [L/N/G], DC
[+V, COM]



Type: DC Motor,
Bi-directional
No. Connections: 2