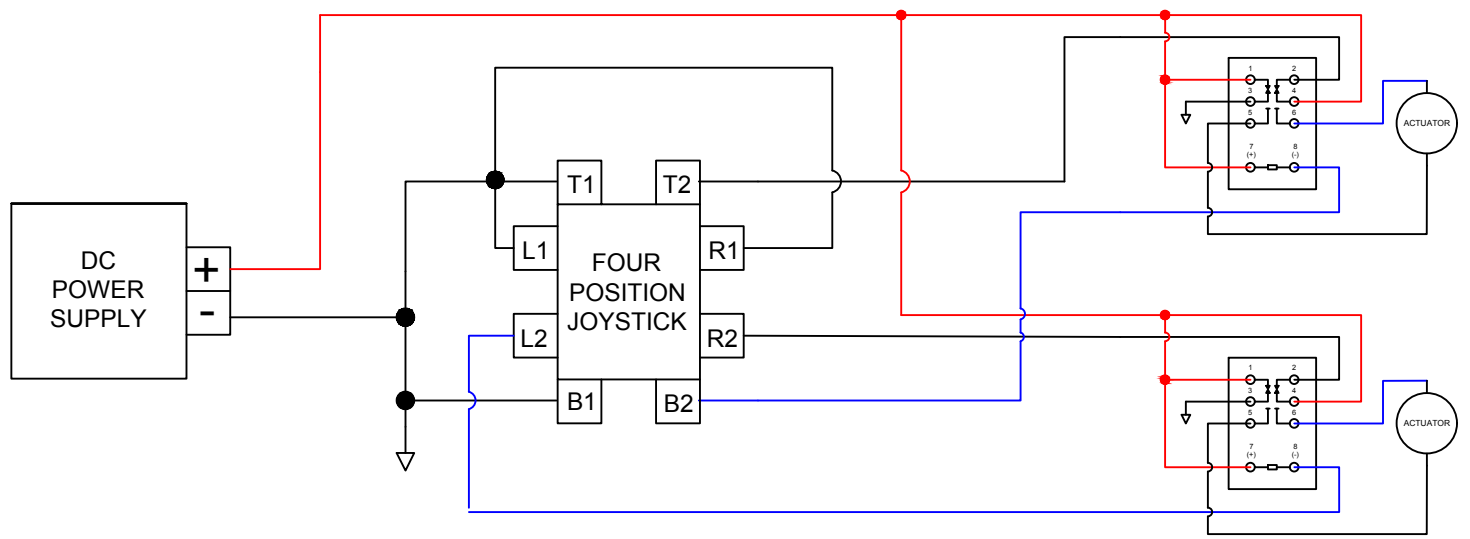


Joystick (4-Direction) Control of Linear Actuators

Functionality:

In this wiring configuration, 4-way joystick control is achieved by using 2 DPDT relays. The relays and joystick complete the control circuit to allow the actuator to extend and retract. Please note that this set up has a maximum current rating of 10A due to the rating on the joystick.



Type: DC Power Supply
Connections: AC [L/N/G], DC [+V, COM]

Type: DPDT Relay, Non-Latching
No. Connections: 8

Type: DC Common Symbol
Connection Point: COM / -V on power supply

Type: 4x SPST Joystick
No. Connections: 8
L = Left, R = Right
B = Bottom, T = Top

Type: DC Motor, Bi-directional
No. Connections: 2