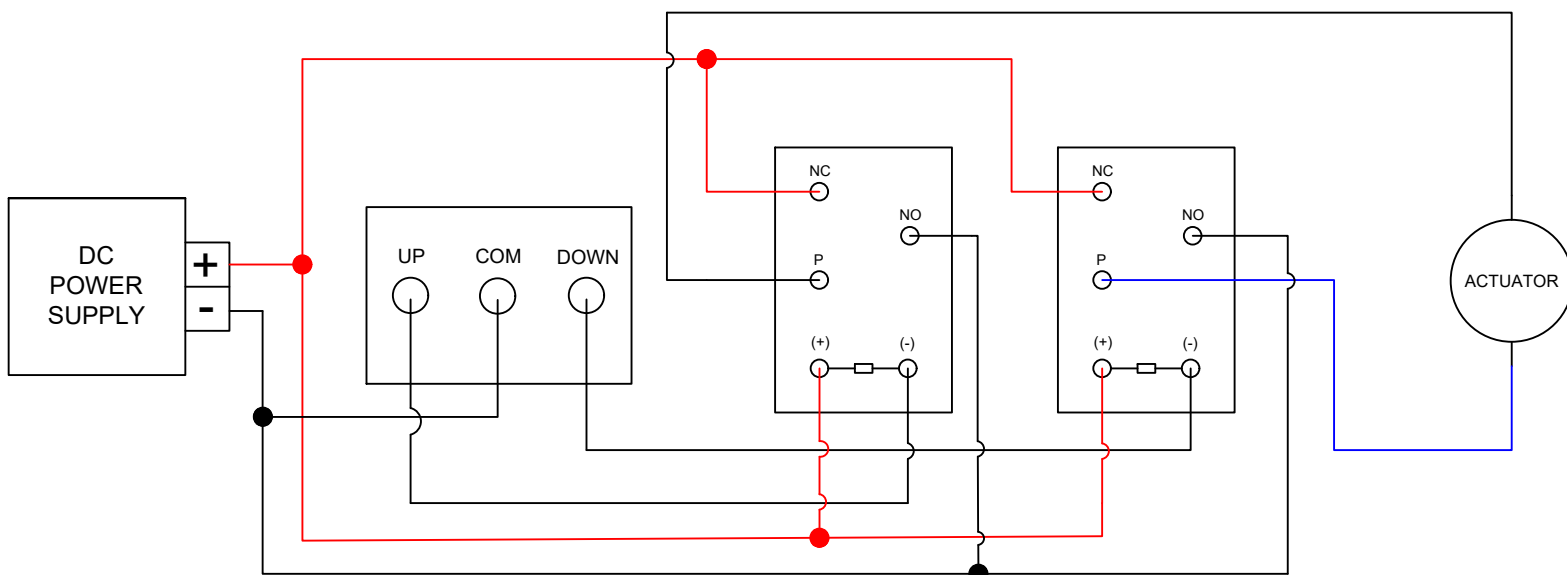


Foot Switch and Table Mount Switch Control of a Linear Actuator

Functionality:

In this wiring configuration, by using 2 x SPDT relays, you are able to achieve actuator control using a 3-wire foot pedal or a table mounted up/down switch. Please note that relays are required to use the foot pedal or a table mount switch.



Type: DC Power Supply
Connections: AC [L/N/G], DC [+V, COM]

Type: SPDT Relay, Non-Latching
No. Connections: 5

Type: DC Common Symbol
Connection Point: COM / -V on power supply

Type: 1x SPDT Foot Switch
No. Connections: 3

Type: DC Motor, Bi-directional
No. Connections: 2