

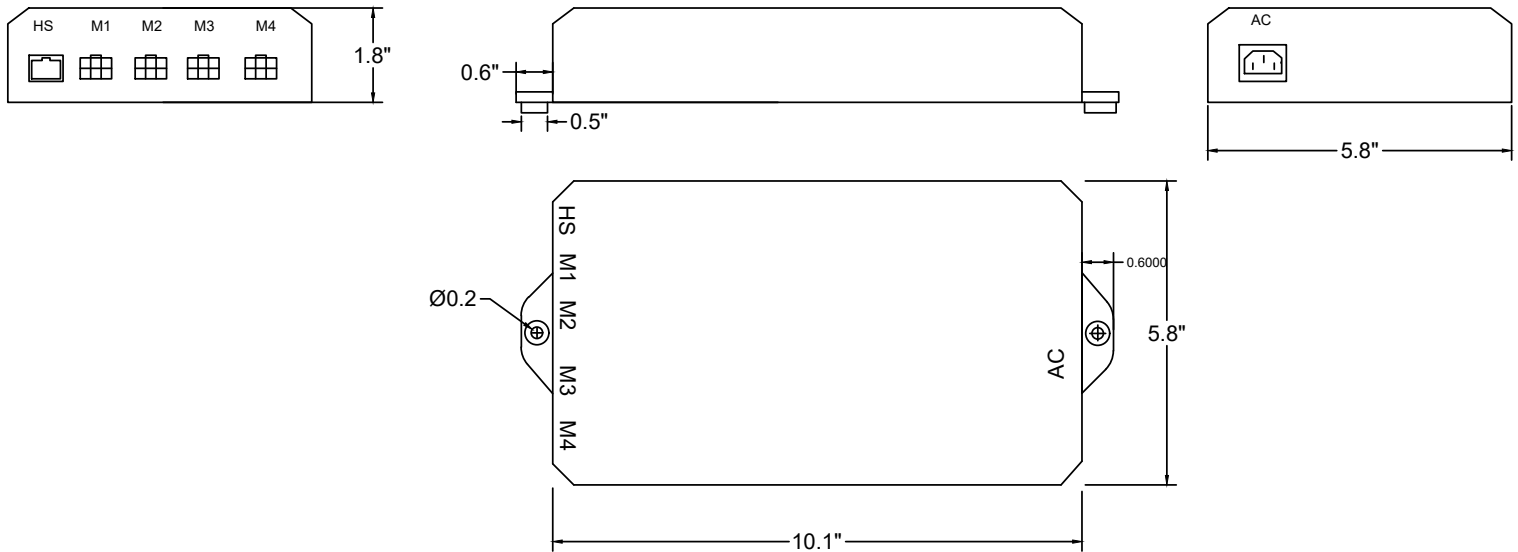
FLTCON-4 Data Sheet



Control Type	Wired Remote (Not Included)
Input Voltage	110-220VAC (Power Cable Included)
Output Voltage	24VDC
Current	6.25A Per Channel
Number of Channels	4
Feedback Input	Hall Effect Sensor
Duty Cycle	10% (Max. 2 mins on, 18 mins off)
Certifications	CE, FCC
Unit Weight	2.05lbs
Size (L x H x W)	10.1" x 1.8" x 5.8"
Warranty	18 Months



Dimensions



Operational Procedure

Once your table lift is installed it is simple to operate. Just use the wired remote for full up/down motion control. Use the up button to raise the table lift and use the down button to lower it.

You can preset up to 4 positions by following this simple procedure: Use the up/down buttons on the remote to find your desired height(s), then press "S" followed by a number 1-4., then wait a few seconds until the height is displayed again. To move to the set position, hold the number button.

Reset Procedure

If the table lift is not functioning properly or the LED screen displays "RST" or "Er1" - "Er13", please follow this reset procedure: Unplug the power cord and lifting columns for 30 seconds. Plug the lifting columns into the control box ensuring a secure connection then plug the power cord back in and continue to the next step.

If the table lift is raised at all, press and hold the down button on the remote until the lift is fully retracted. Press and hold the down button for 10 seconds until the LED display reads "ASr". If you are using a spare remote without an LED, hold the down button for 10 seconds.

Once "ASr" is displayed on the remote, press and hold the down button until the lifting columns lower, slightly rise, then stop. Release the button and the table lift is now ready to use.

If the error message persists after the reset procedure, contact us at 1-800-676-6123 or by email at sales@progressiveautomations.com.

*If the height difference between the legs exceeds 1.5 inches, stop the reset procedure & contact us.

*If the handset displays 'HOT', let the unit cool down for 20 minutes before starting the reset procedure again.