

FLT-11

User Manual



Contents

Caution	Page 2
Technical Specifications	Page 3
Dimensions	Page 4
Parts/Setup	Page 5
Operation/Safety	Page 6



Ensure no obstacles are in the column's path. Ensure the column is not touching any walls. Ensure all cords are appropriate length to accommodate the change in height.



Warning
Pinch Point
Keep hands and fingers clear.



Keep children away from electric height-adjustable lifting columns, control units, and handsets. There is a risk of injury and electric shock.



Keep all electrical components away from liquids.



Do not sit or stand on the lifting column. Do not crawl or lie under the lifting column.



Do not place any objects taller than 12" underneath the lifting column.

Technical Specifications

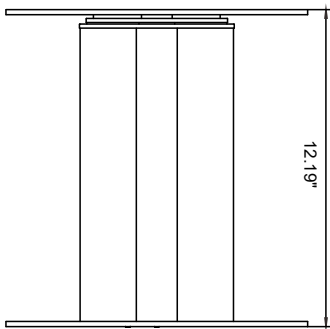
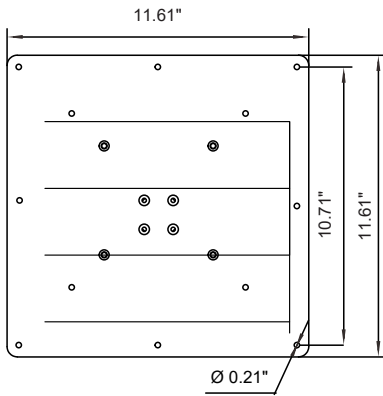


Input Voltage	120 VAC, 60 Hz
Output Voltage	24 VDC
Stroke	16.5"
Weight Capacity	225lbs
Speed	0.5"/sec
Height Range	12" - 28.5"
Duty Cycle	10% Max. 2 mins on, 18 mins off
Material	Aluminum Alloy
Certification	UL
Temperature Rating	5C to 40C

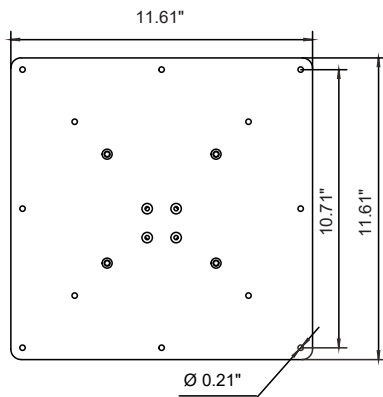
Dimensions



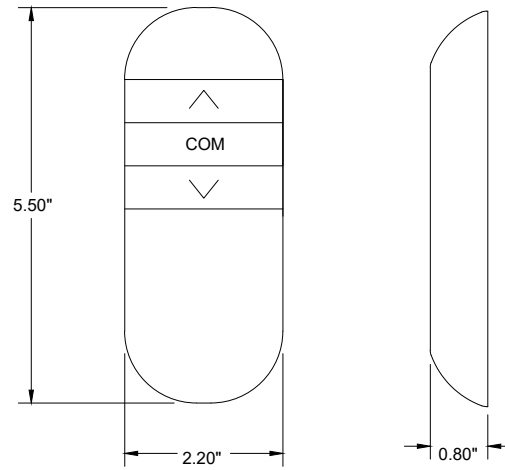
Top



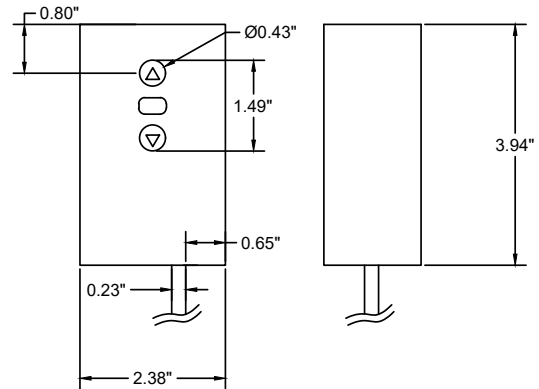
Bottom



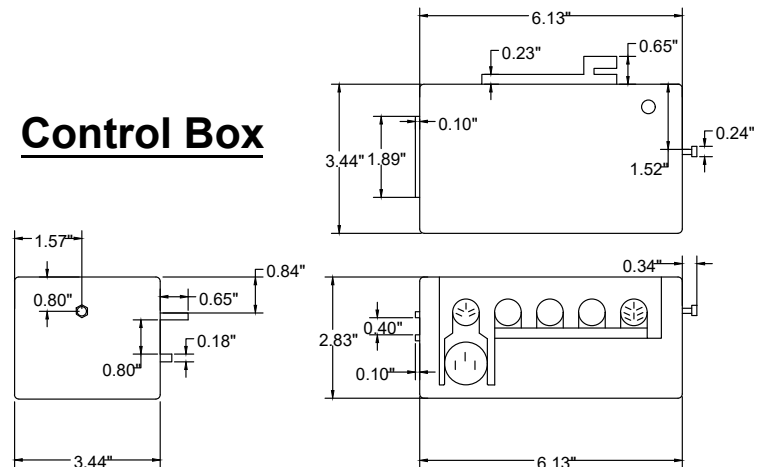
Wireless Remote



Wired Remote



Control Box



Parts



Lifting Column



Control Box



AC Power Cord



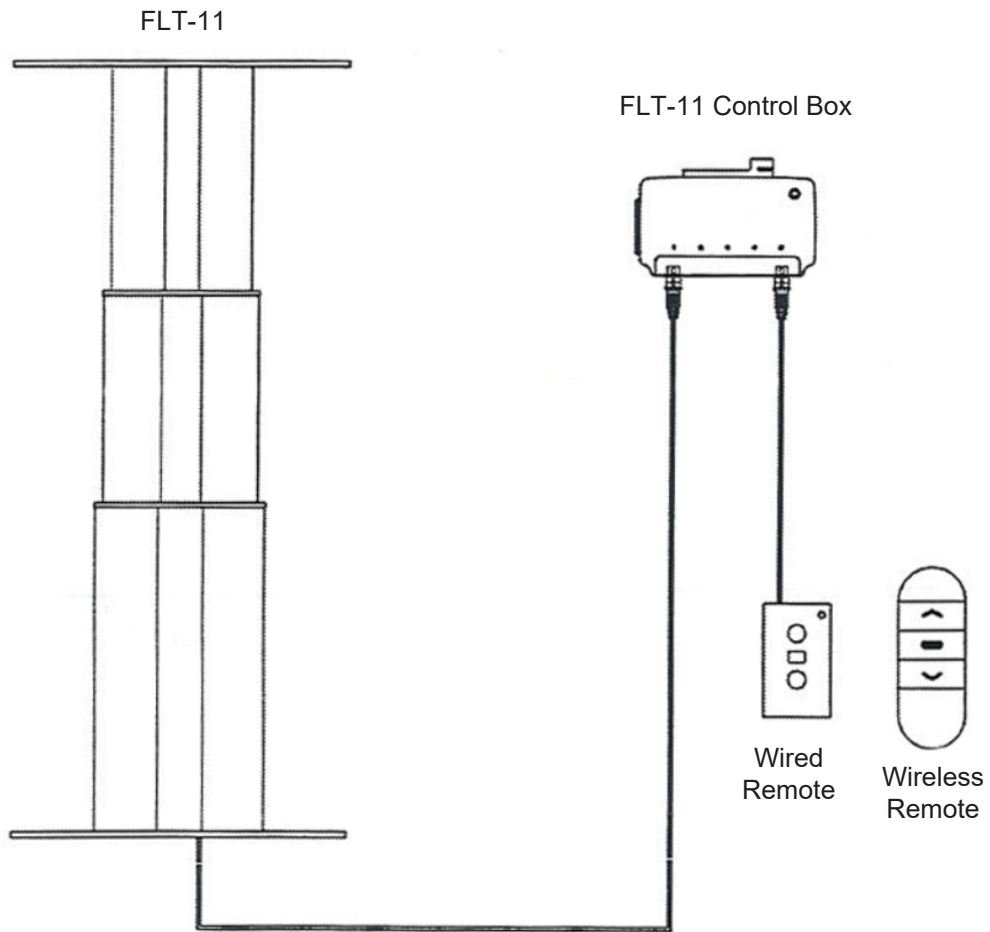
Wired Remote



Wireless Remote



Setup



Operation Procedure



Use the wired or wireless remote for full up and down motion control. The non-momentary buttons allow the user to press the buttons for both up and down control. Pressing any button while in motion will stop the column.

Pairing the wireless remote

Press the UP and DOWN buttons on the wireless remote while simultaneously pressing the button on the side of the control box for 10 seconds. The control box will emit a single beep to confirm the pairing procedure has started. After 10 seconds, the wireless remote is now ready for use.

LED Light: A green light will indicate the column is in normal operation. A red light will indicate that the column is locked. Please see the unlocking procedure below.

Safety Features



This column comes with a built-in self-locking feature, where when left idle for 10 seconds, the column will lock and will be unresponsive to controls.

If the LED light is red, this will indicate you must unlock the column in order to lower the lift. Press and hold the DOWN button for 5 seconds on either remote to unlock the lifting column for full control.

Anti-collision sensor: When retracting the lifting column, the control box will detect any obstructing objects. Once detected, the column will stop and rise slightly.

Overcurrent Protection: While in motion, the controller will detect a current spike. When sensing a current spike of 6.5A, the lifting column will stop to prevent any overloading errors.