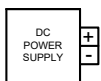
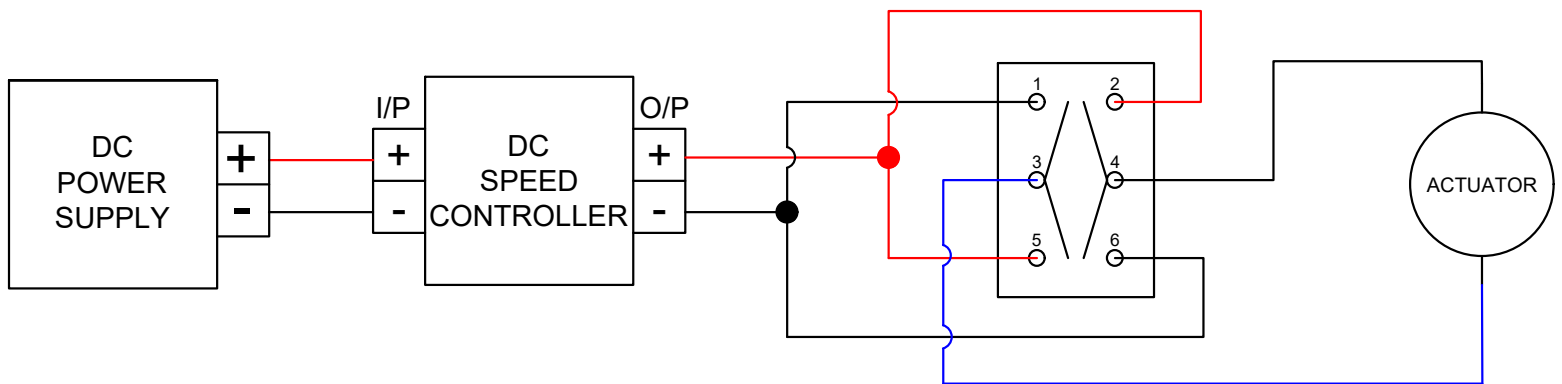


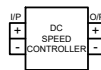
## DC Speed Controller with Rocker Switch Control

### Functionality:

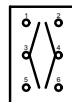
In this wiring configuration, when the rocker switch is in the neutral position, the actuator will not move. When the rocker switch is pressed forward/ reverse, the actuator will move either in the extend or retract direction. The speed controller will limit the speed of the linear actuator in both directions.



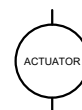
Type: DC Power Supply  
Connections: AC [L/N/G],  
DC [+V, COM]



Type: DC Speed Controller  
Connections:  
Power: +/- Output: +/-



Type: DPDT Rocker Switch  
No. Connections: 6



Type: DC Motor,  
Bi-directional  
No. Connections: 2