

Product Name

Actuator Model

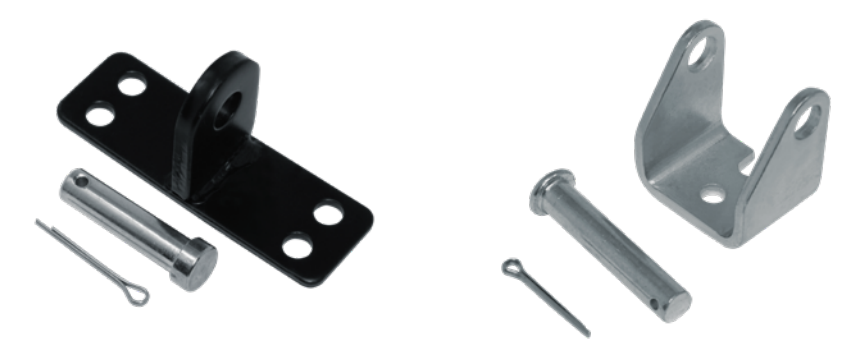
Mounting Options

Linear Actuator

PA-03



BRK-01 or BRK-02
motor end only, models up to 400 lbs



Linear Actuator IP66

PA-04



BRK-01 or BRK-02



Hall Effect Sensor Actuator IP66

PA-04-HS



BRK-01 or BRK-02



Waterproof IP67M Actuator

PA-06



BRK-06 or BRK-16

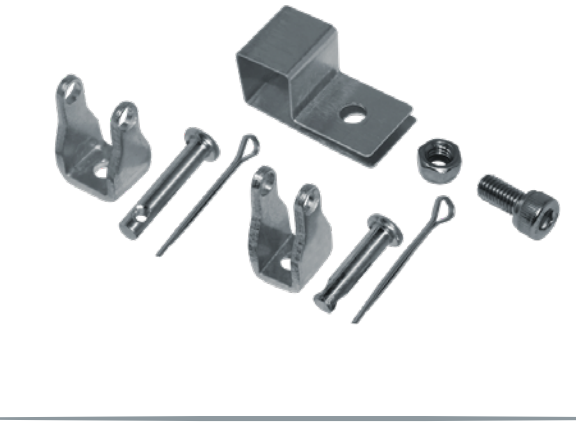


Micro Linear Actuator

PA-07



BRK-07

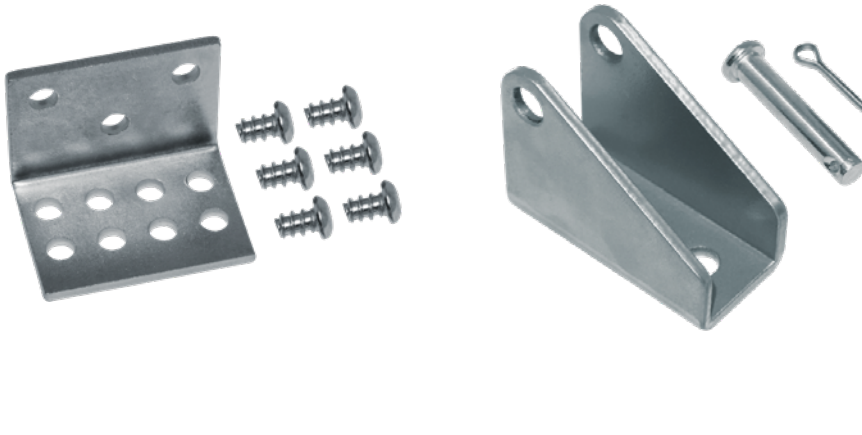


Mini Track Actuator

PA-08



BRK-08 or BRK-14

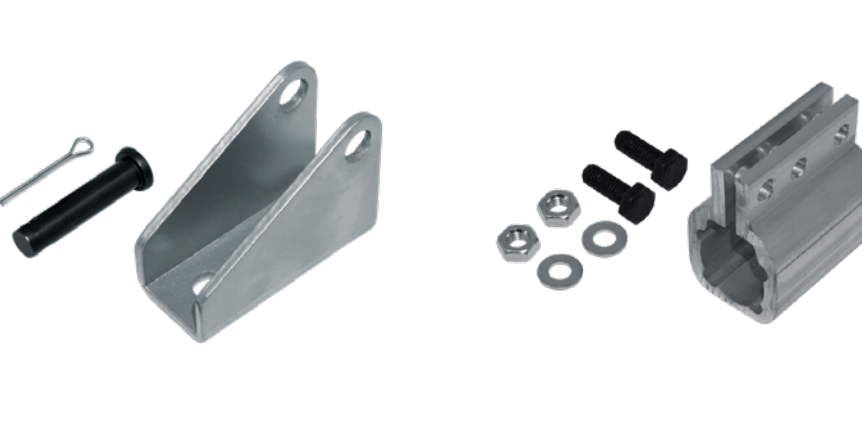


Mini Industrial Actuator

PA-09



BRK-09 or BRK-10



Waterproof IP68M/IP69K

PA-10



BRK-09

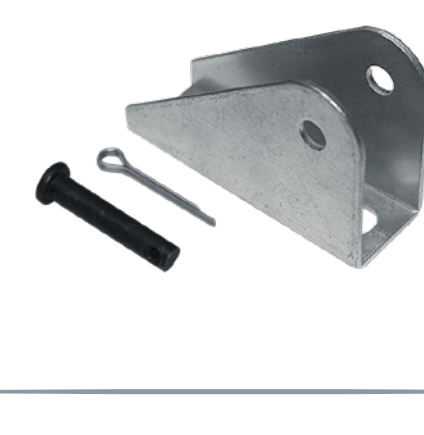


Mini Tube Linear Actuator

PA-11-D30

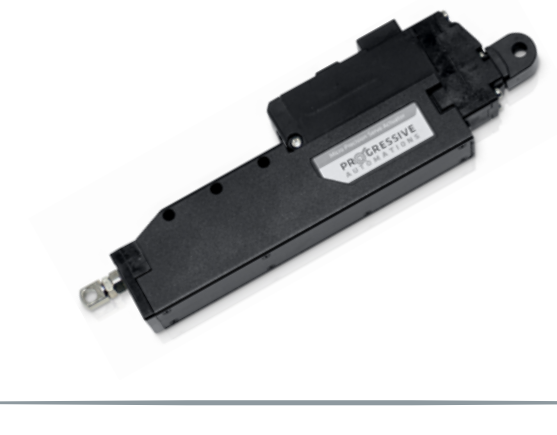


BRK-11

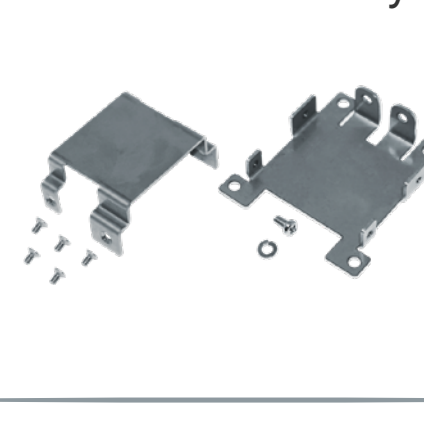


RS-485 Precision Actuator

PA-12-R



BRK-12
1.06" stroke only

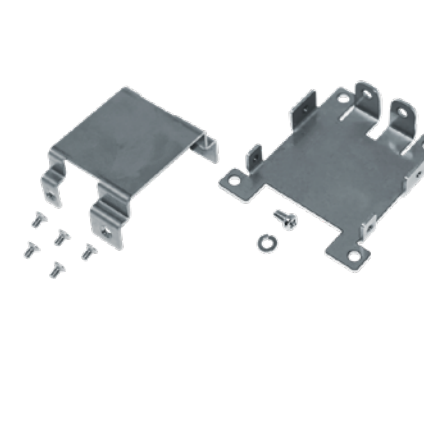


TTL Comm Precision Actuator

PA-12-T



BRK-12
1.06" stroke only



High Force Linear Actuator

PA-13



BRK-17



Mini Linear Actuator

PA-14



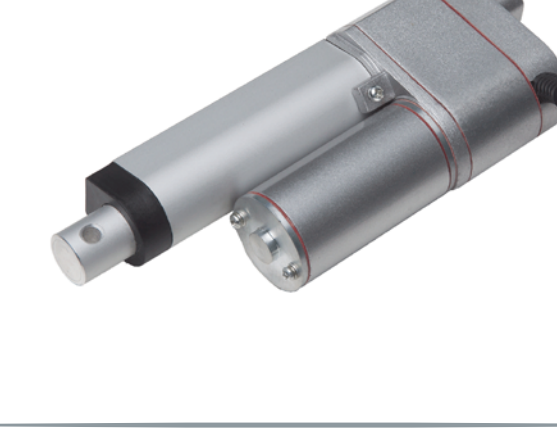
BRK-03 or BRK-14



stroke lengths that are 2" or above

Feedback Linear Actuator

PA-14P



BRK-03 or BRK-14



stroke lengths that are 2" or above

High Speed Linear Actuator

PA-15



BRK-15



Heavy Duty Linear Actuator

PA-17



BRK-17



Heavy Duty Linear Actuator with Feedback

PA-17P



BRK-17

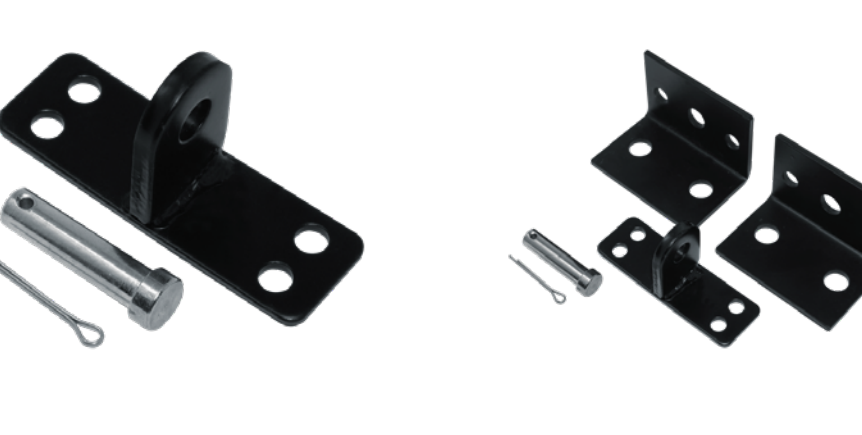


Track Linear Actuator

PA-18



BRK-01 or BRK-19
(motor end only, models up to 400 lbs)



Solar Actuator

PA-100



Actuator has mounts welded onto the shaft housing of the unit

Quick Release Actuator

PA-QR1



BRK-02

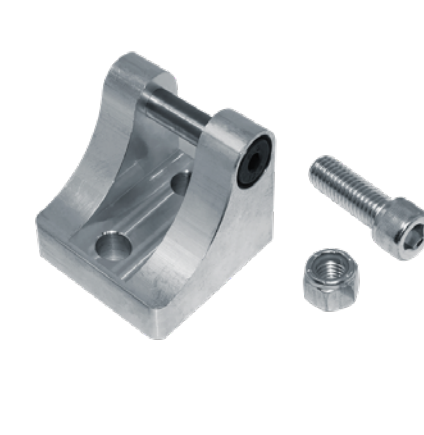


High Load Linear Actuator

PA-HD1



BRK-17



Feedback High Load Linear Actuator

PA-HD1-HALL



BRK-17

