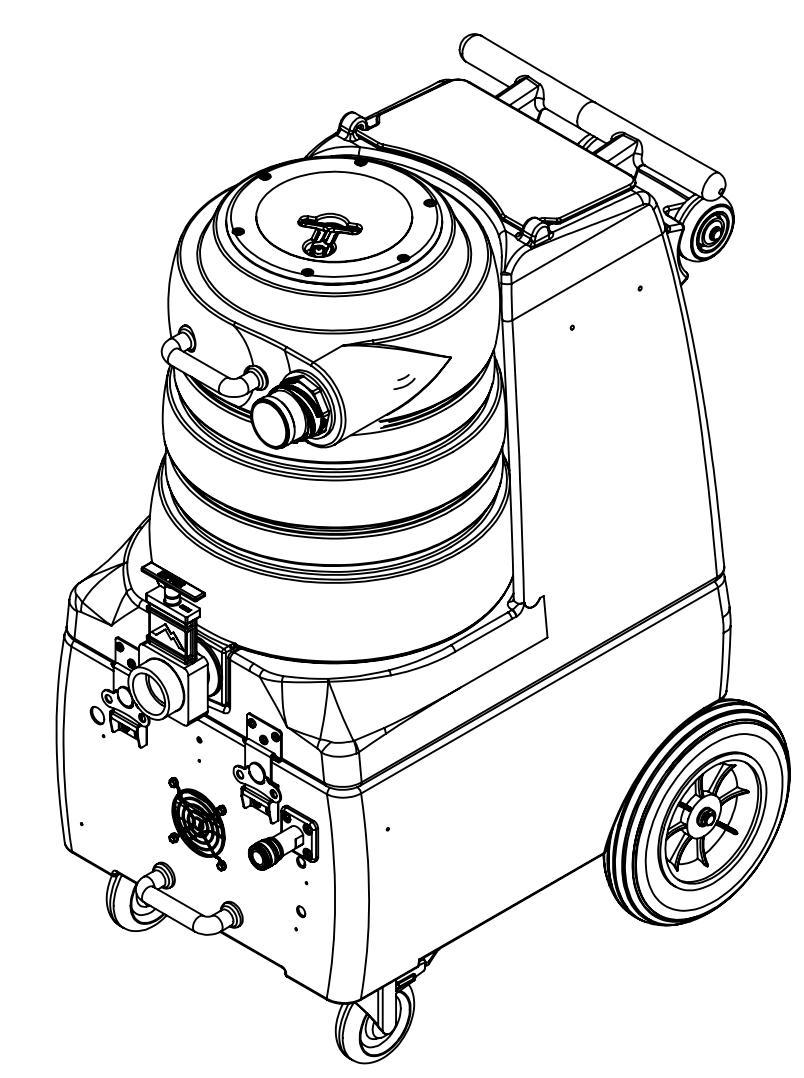


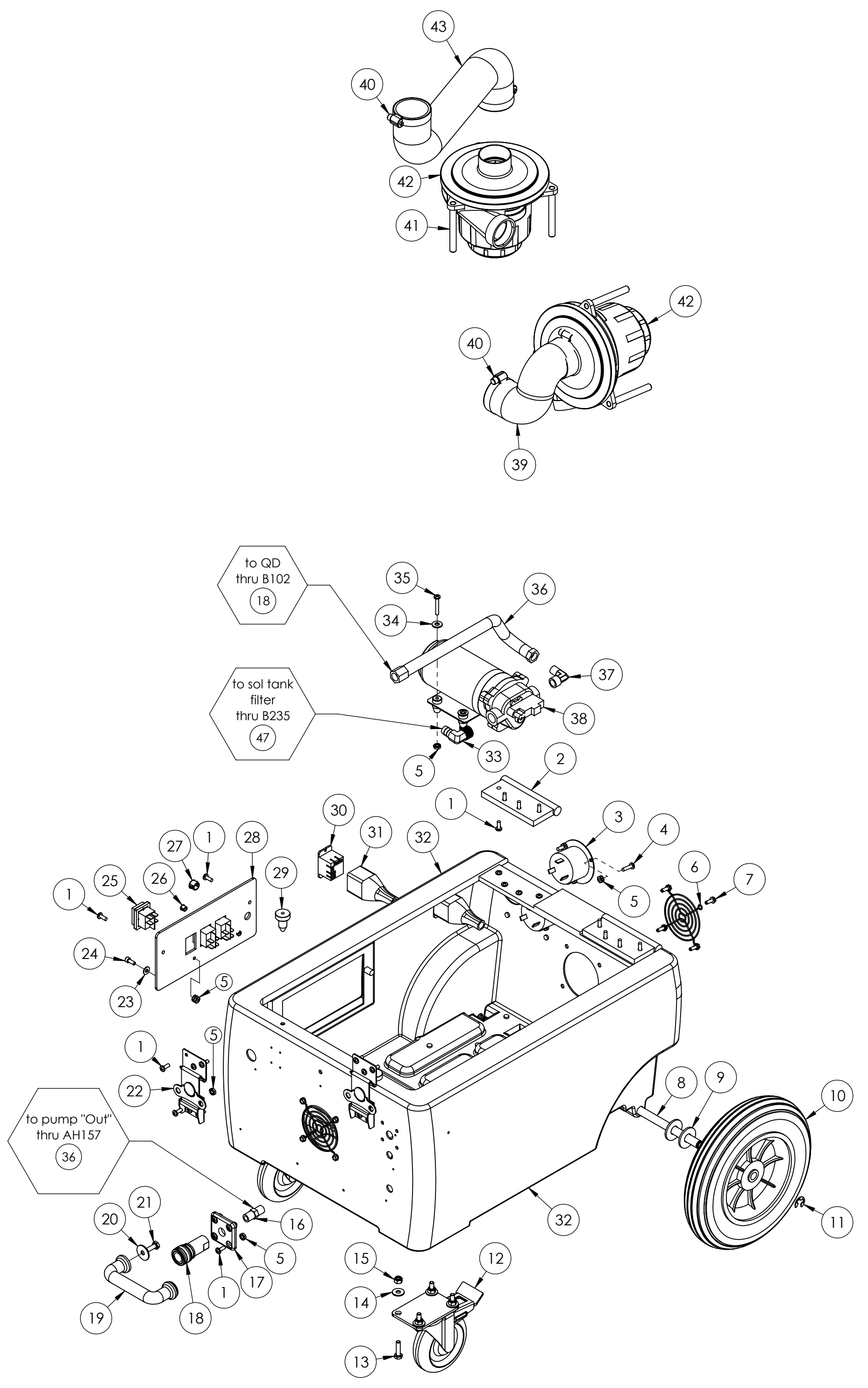
ITEM NO.	PART NO.	DESCRIPTION	QTY.
1	H230	screw, 10-32 x 1/2", phil pan, s/s	36
2	H487	bracket, hinge	2
3	E360	flanged male inlet recapture, 230V, 20A	2
4	H256	screw, 10-32 x 3/4" phil pan head	6
5	H273	nut, kep, #10-32 zinc	24
6	H296	guard, cooling fan, wire	2
7	H343	screw, #10 x 5/8" hex head zinc	8
8	H232	axle, 18.80" x .50"	1
9	H254	washer, axle, cut 1/2" id	4
10	H392	wheel, 10", foam filled	2
11	H042	c-clip, 12mm, external	2
12	H668	caster, 4", black hub & gray tread	2
13	H342	bolt, 1/4-20 x 1" hex head, s/s	8
14	H210	washer, 1/4" flat, s/s	8
15	H216	nut, lock, 1/4-20, nylon insert, s/s	8
16	B107	nipple, hex, 1/4"mpt x 1/4"mpt	2
17	H484	plate, mounting, QD	1
18	B102	quick disconnect, 1/4" fqd x 1/4" fpt	1
19	H485	handle, aluminum grip, black	2
20	H211	washer, 1/4" id x 1" od, flat, s/s	6
21	H202	bolt, 1/4-20 x 3/4" hex head, s/s	4
22	H486	latch, front, set, large	2
23	H289	washer, 10 flat, s/s	1
24	H389	screw, 10-32 x 1/2" SHCS, alloy	1
25	E515	switch, rocker, 2 position	3
26	H422	plug, dome 3/8", black	2
27	H434	plug, vent, heyco, 1/2"	1
28	H641-DIY	plate, switch	1
29	G068	bumper, 7/8" x 1/4" head	2
30	E632	relay, shut-off switch, mechanical float, 115v	2
31	G165	cover, relay	2
32	P696	base, breeze	1
33	B172	elbow, brass, 90 deg, 1/2" barb x 3/8"mpt	1
34	H210	washer, 1/4" flat, s/s	4
35	H222	screw, 10-32 x 1-1/4" phil pan head, s/s	4
36	AH157	sol hose, pulse, 3/8" x 9", 1/4" fsw x 1/4" fpt	1
37	B652	elbow, 90 deg, 3/8"mpt x 1/4"mpt	1
38	C322	pump, 200psi, piston 115V	1
39	PH628-14	vac hose, 2", black, wire reinforced	1
40	H217	clamp, hose, 2-1/4 dia	4
41	H503	vac support, 3 stage, 3.25", no thrds	6
42	C348	vac motor, lx, hybrid, w/inlet tube, 173 cfm, 120v	2
43	PH628-28	vac hose, 2", black, wire reinforced	1
44	B160	adapter, brass, 1/2" barb x 3/8" fsw, ball end	1
45	PH615K	sol hose, 1/2", polywire reinforced	1
46	H347	clamp, hose, 5/16-29/32	2
47	B186	elbow, 90 deg street, 3/8"mpt x 3/8" fmpt	1
48	H299	washer, 1 1/16" id x 1-1/2" od x .075, s/s	3
49	B216	nipple, brass, 3/8" x close	1
50	B210	bushing, brass, 1/2"mpt x 3/8" fpt, hex	1
51	B119A	filter, strainer, 1/2" fpt	1
52	H768	bolt, 1/4-20 x 3/4" serrated hex flange, zinc	4
53	H390A	bracket, "L", 2" x 2"	2
54	P697	sol tank, breeze	1
55	G062	lid, sol tank	1
56	H215	nut, hex, 1/4-20 s/s	1
57	G052	washer, buna 1-1/8" od x 3/16" id	4
58	H203	bolt, 1/4-20 x 1-1/4"	1
59	A145	Handle, Wheel Kit, LTD	1
60	H225	valve, drain, 1-1/2"	1
61	H135	Cuff-Lynx, 2" m cuff x 2" mpt	1
62	A926	elbow, inlet assembly 2"	1

ITEM NO.	PART NO.	DESCRIPTION	QTY.
63	G091	gasket, 7", vac lid	1
64	G090	lid, vac tank, clear, 7"	1
65	H304	screw, #8 x 5/8 phil oval, s/s	6
66	G003	filter, foam, 2", vac stack, 1/2"	1
67	G097	filter, screen mesh, 1.90" dia	1
68	P502	adapter, 1.5" pvc, fslip x fslip	1
69	PH633-13	pipe, pvc, 1-1/2"	1
70	P520	adapter, 1.5" mpt pvc	1
71	G002	gasket, cam fitting polyethylene, 2.35" OD 1.90" ID	1
72	H212	flat washer, 9/16" ID x 1 1/16" OD, AN960-C916	2
73	B156	nut, 1/4" npt	1
74	B103	elbow, 90 deg street, 1/4"mpt x 1/4" fpt	2
75	E373	level switch, vacuum shut-off, rear threads	2
76	B113	tee, 1/4" fpt x 1/4" fpt x 1/4" fpt	1
77	P698	vac tank, breeze	1
78	H300	cuff, hose, 1-1/2 x 1-1/2, wire	1

REVISIONS			
REV.	DESCRIPTION	DATE	APPROVED
OD	ORIGINAL DRAFT		JFL



NAME	DATE	MYTEE	
DRAWN M.LaBarbera	5/2019	858-679-1191	
CHECKED		TITLE:	
COMMENTS:		Breeze	
PROPRIETARY AND CONFIDENTIAL		SIZE	DWG. NO.
THE INFORMATION CONTAINED IN THIS DRAWING IS THE SOLE PROPERTY OF MYTEE LLC. ANY REPRODUCTION IN PART OR AS A WHOLE WITHOUT THE WRITTEN PERMISSION OF MYTEE LLC IS PROHIBITED.		C	BZ-102LX
		SCALE: 1:24	REV OD
		DO NOT SCALE DRAWING	SHEET 1 OF 5



	NAME	DATE	MYTEE	
DRAWN	M.LaBarbera	5/2019	858-679-1191	
CHECKED			TITLE:	
COMMENTS:			Breeze	
<small>PROPRIETARY AND CONFIDENTIAL THE INFORMATION CONTAINED IN THIS DRAWING IS THE SOLE PROPERTY OF MYTEE LLC. ANY REPRODUCTION IN PART OR AS A WHOLE WITHOUT THE WRITTEN PERMISSION OF MYTEE LLC IS PROHIBITED.</small>			SIZE	DWG. NO.
			C	BZ-102LX
			SCALE: 1:24	REV
			DO NOT SCALE DRAWING	OD
			SHEET 2 OF 5	

8

7

6

5

4

3

2

1

F

E

D

C

B

A

F

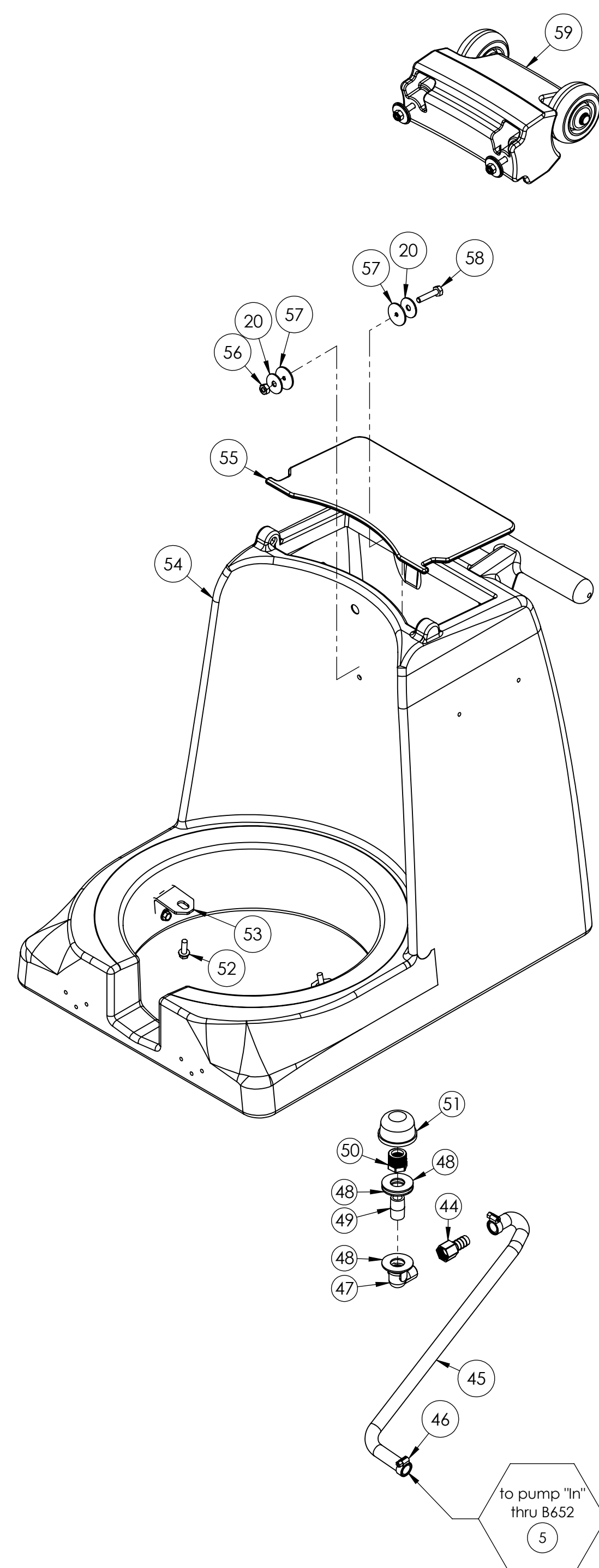
E

D

C

B

A



	NAME	DATE	MYTEE	
DRAWN	M.LaBarbera	5/2019	858-679-1191	
CHECKED			TITLE:	
COMMENTS:			Breeze	
<small>PROPRIETARY AND CONFIDENTIAL THE INFORMATION CONTAINED IN THIS DRAWING IS THE SOLE PROPERTY OF MYTEE LLC. ANY REPRODUCTION IN PART OR AS A WHOLE WITHOUT THE WRITTEN PERMISSION OF MYTEE LLC IS PROHIBITED.</small>			SIZE	DWG. NO.
			C	BZ-102LX
			SCALE: 1:24	REV
			DO NOT SCALE DRAWING	OD
			SHEET 3 OF 5	

8

7

6

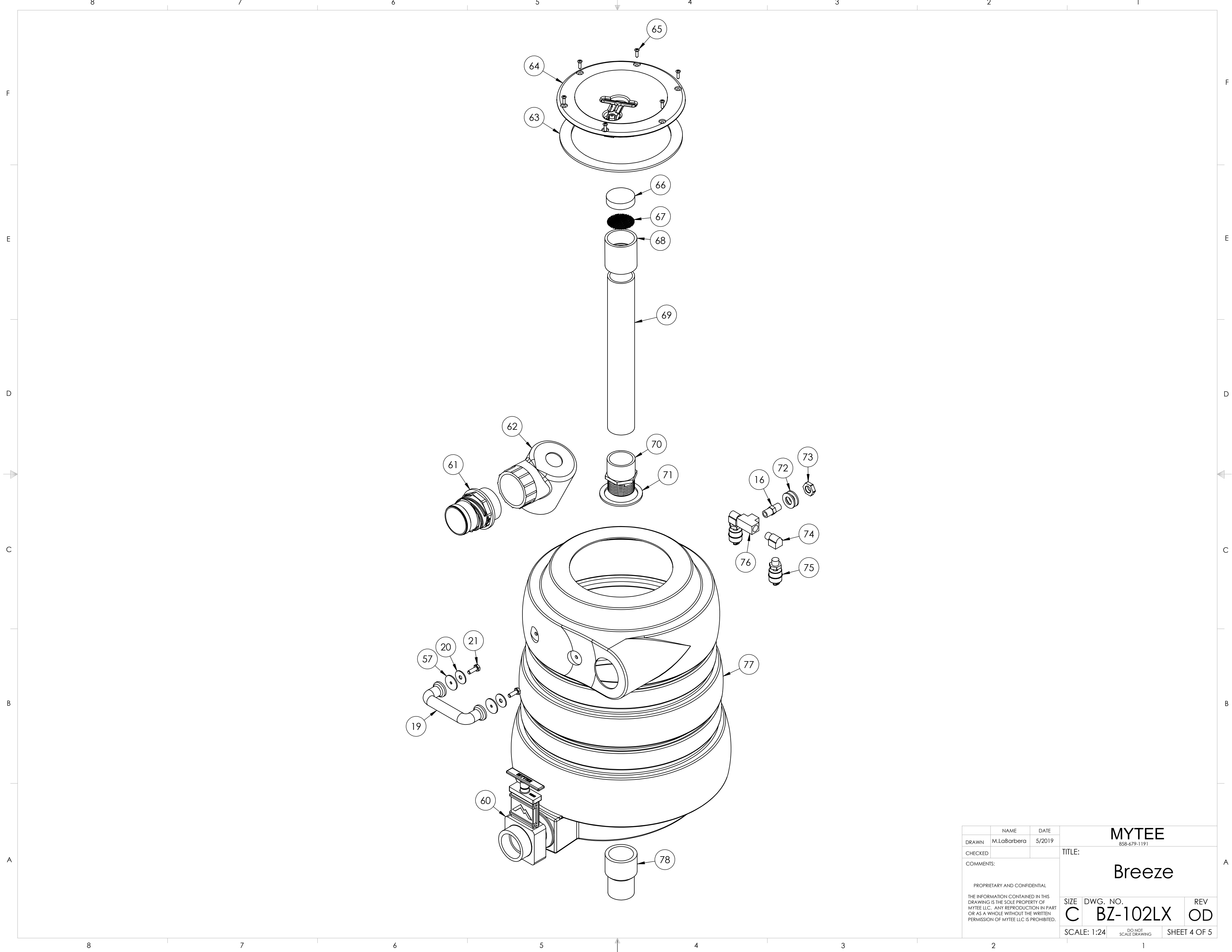
5

4

3

2

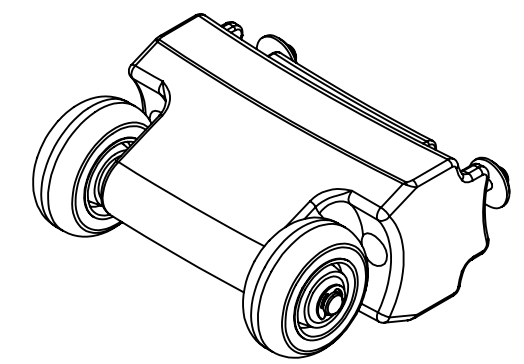
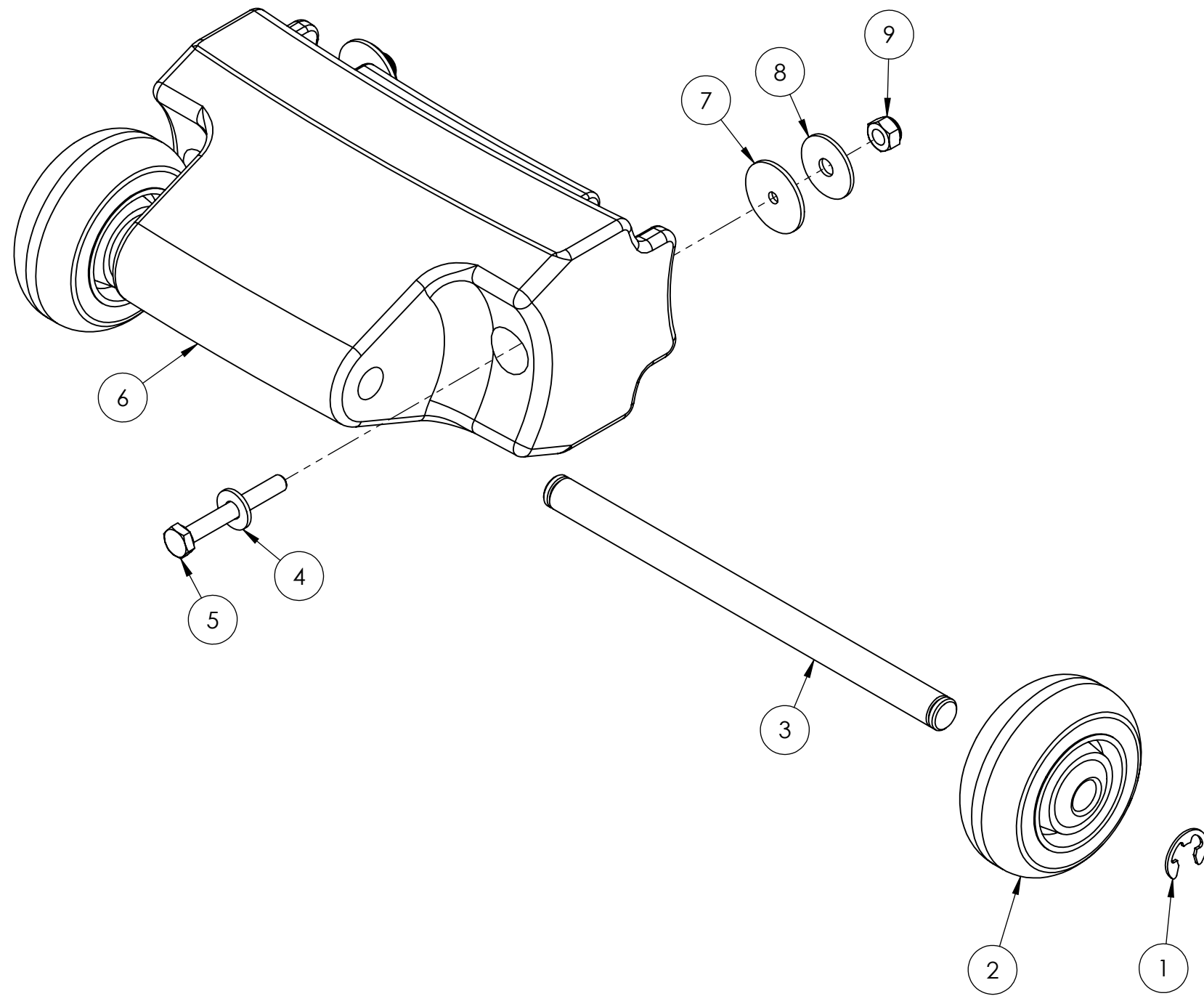
1



	NAME	DATE	MYTEE	
DRAWN	M.LaBarbera	5/2019	858-679-1191	
CHECKED			TITLE:	
COMMENTS:			Breeze	
<small>PROPRIETARY AND CONFIDENTIAL THE INFORMATION CONTAINED IN THIS DRAWING IS THE SOLE PROPERTY OF MYTEE LLC. ANY REPRODUCTION IN PART OR AS A WHOLE WITHOUT THE WRITTEN PERMISSION OF MYTEE LLC IS PROHIBITED.</small>			SIZE	DWG. NO.
			C	BZ-102LX
			SCALE: 1:24	REV
			<small>DO NOT SCALE DRAWING</small>	OD
			SHEET 4 OF 5	

ITEM NO.	PART NO.	DESCRIPTION	QTY.
1	H042	c-clip, 12mm, external	2
2	H358B	wheel, 3"	2
3	H507	axle, 7.94" x .50" dia	1
4	H210	washer, 1/4" flat, s/s	2
5	H169	bolt, 1/4-20 x 2", hex head	2
6	P650	wheel handle, LTD	1
7	G052	washer, buna 1-1/8" od x 3/16" id	2
8	H211	washer, 1/4" id x 1" od, flat, s/s	2
9	H216	nut, lock, 1/4-20, nylon insert, s/s	2

REVISIONS			
REV.	DESCRIPTION	DATE	APPROVED
OD	ORIGINAL DRAFT	3/2019	JFL



DRAWN	M.LaBarbera	DATE	3/2019	MYTEE <small>858-679-1191</small>			
CHECKED						TITLE:	Handle, Wheel Kit, LTD
COMMENTS:				<small>PROPRIETARY AND CONFIDENTIAL</small> <small>THE INFORMATION CONTAINED IN THIS DRAWING IS THE SOLE PROPERTY OF MYTEE LLC. ANY REPRODUCTION IN PART OR AS A WHOLE WITHOUT THE WRITTEN PERMISSION OF MYTEE LLC IS PROHIBITED.</small>	SIZE C	DWG. NO. BZ-102LX	REV OD
				SCALE: 1:4	DO NOT SCALE DRAWING	SHEET 5 OF 5	