

MAMMUT

Makes Work Easier...

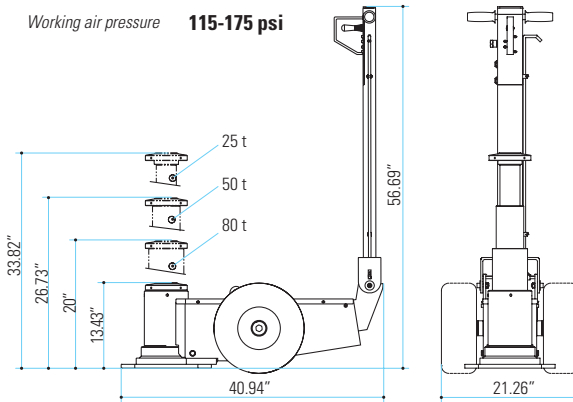
Available Only
Through



ESCO #91000

80 TON 3 STAGE JACK

Working air pressure 115-175 psi



- Load blocking system
- Remote control for working safely
- Various extensions to suit all operations.
- All models are hydro-pneumatically operated and equipped with a dual descent valve for greater control when bearing weight and automatic piston return; they can also be fitted with a manual emergency pump (on request).

For excellent handling during use and transport, every Mammut jack has:

- Folding handle
- Wide pneumatic tires
- Special hooks for transport

The Mammut range of jacks offers clients a solution that is safe and easy to use, for all those operations to lift earth moving, construction, quarry and mining machinery, where maintenance requires professional skills and expertise.

Available in various models depending on load capacity (from 30 to 150 t) and use, each jack can be configured with a wide range of accessories to meet all demands.



COMPLETE LINE OF JACKS AVAILABLE!!!

ESCO Equipment Supply CO.

Address: Brooksville, FL 34604
 Phone: 1-800-352-9852
 Fax: 1-352-754-4508
 Website: www.esco.net
 Email: sales@esco.net

