



Equipment Supply Company

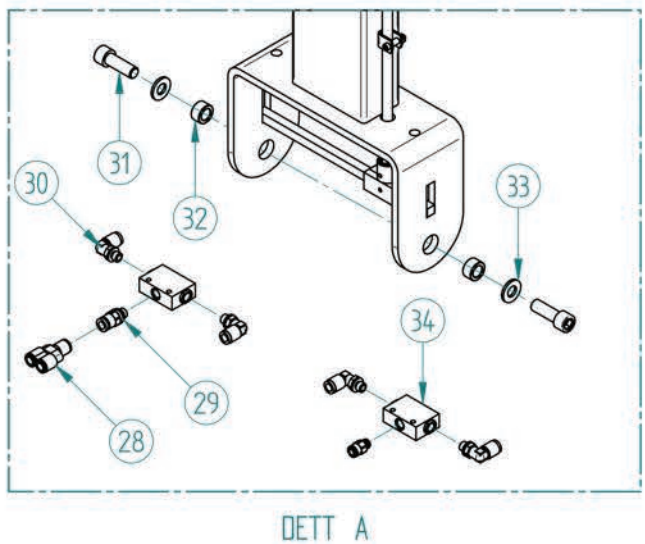
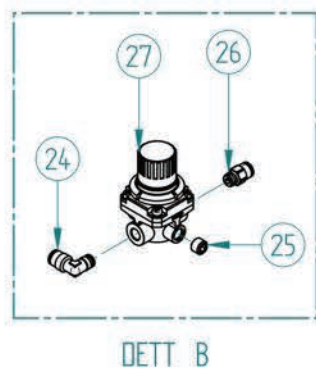
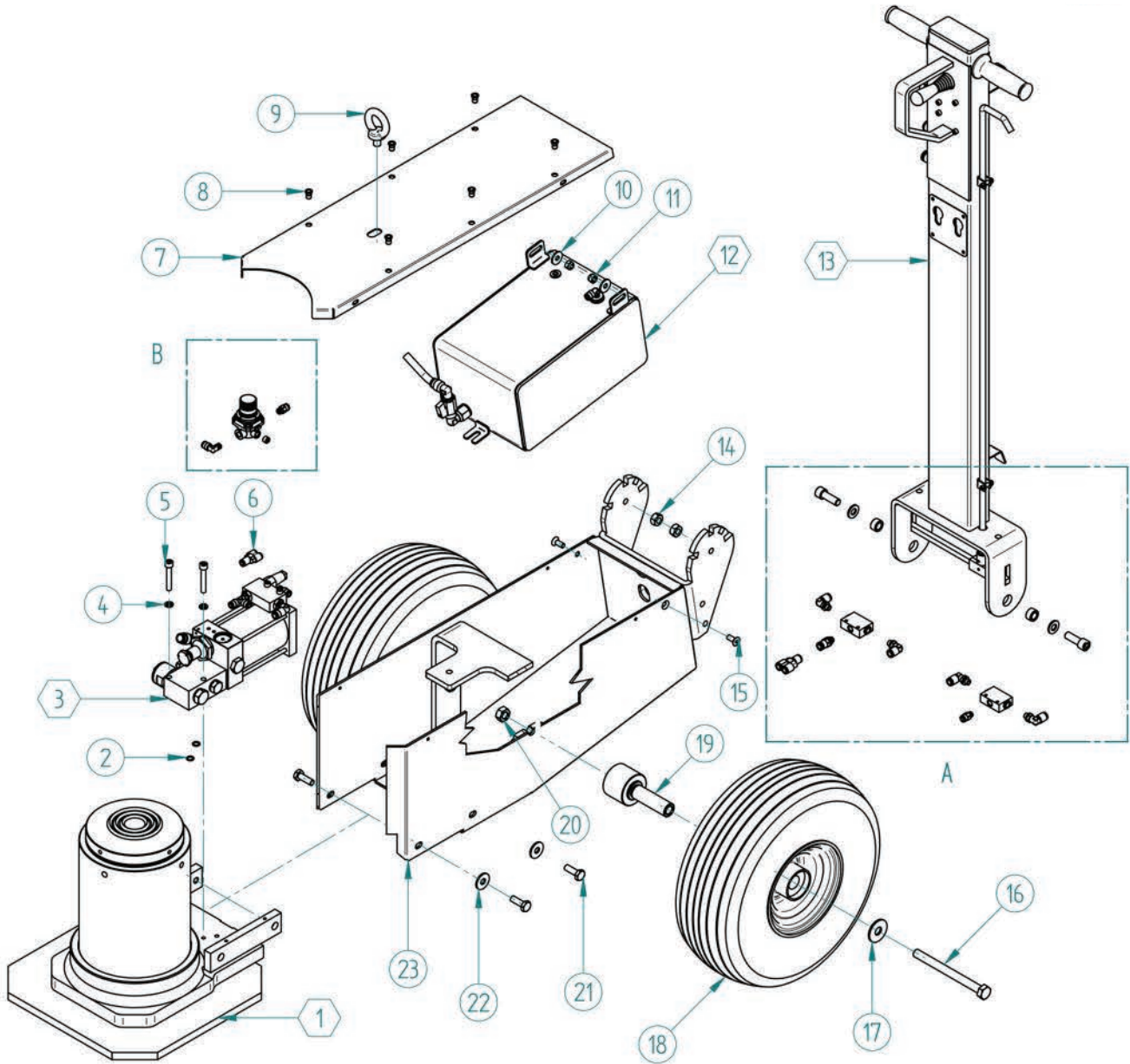


Parts Breakdown

MAMMUT 25/50/80 Ton Jack

ESCO #91000





Model #91000

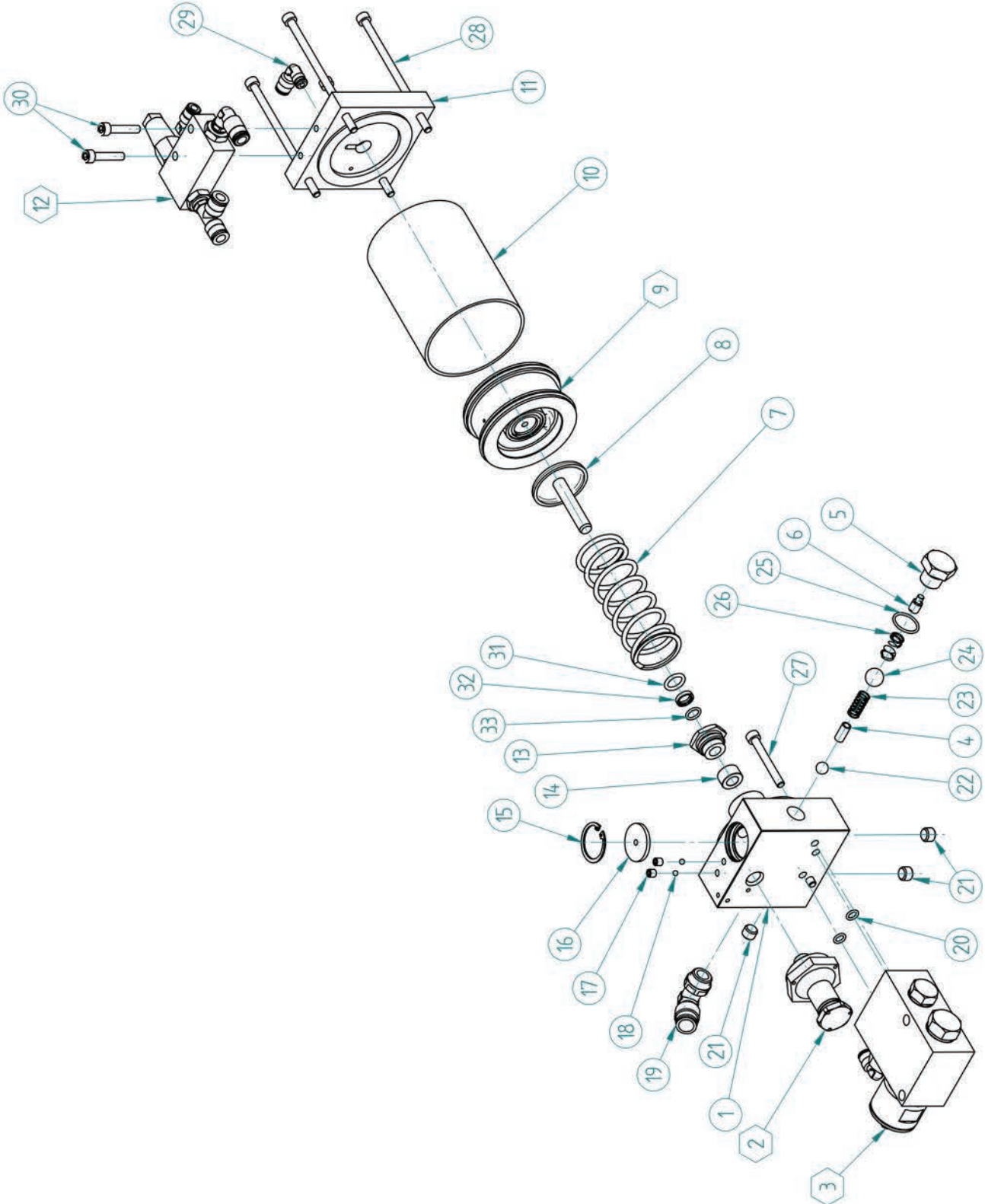
Model #91000 - Parts Breakdown

2/2

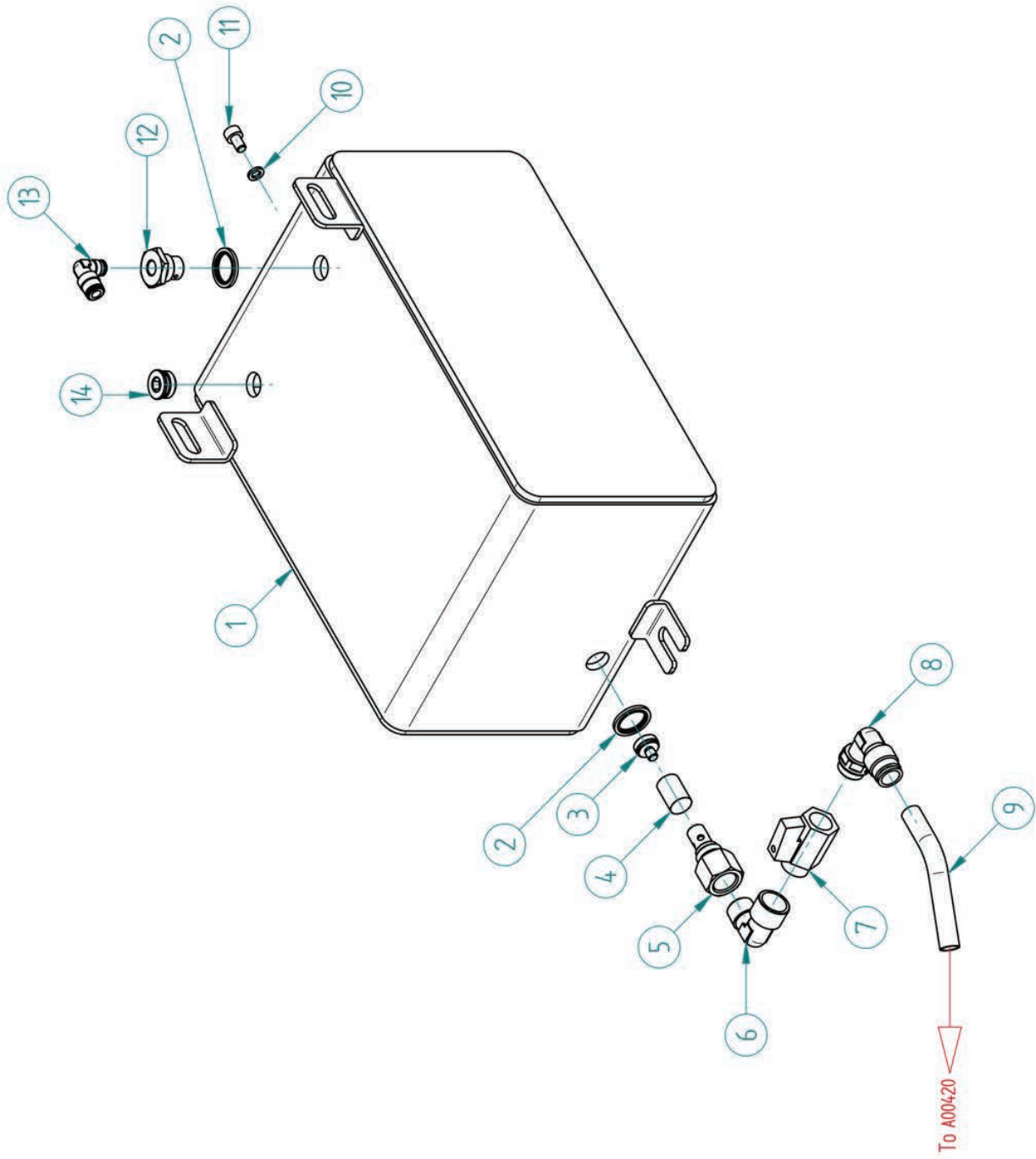
Pos.	Spare code	Q.ty	Pos.	Spare code	Q.ty
1	A00379	1	18	A02885	2
2	A00997	2	19	A02267	2
3	A00534	1	20	A00280	2
4	A02850	2	21	A03488	4
5	A03438	2	22	A03756	4
6	A02813	1	23	A02639	1
7	A01886	1	24	A02790	1
8	A02901	6	25	A00323	1
9	A00160	1	26	A02792	2
10	A03722	3	27	A03520	1
11	A00288	3	28	A02819	1
12	A00483	1	29	A02802	1
13	A00460	1	30	A02804	4
14	A00279	2	31	A03449	2
15	A03497	3	32	A01809	2
16	A03469	2	33	A02837	2
17	A02845	2	34	A03523	2

Model #91000 - Parts Breakdown

Pos.	Spare code	Q. ty
1	A01270	1
2	A00508	1
3	A00326	1
4	A02247	1
5	A02626	1
6	A01752	1
7	A00806	1
8	A00880	1
9	A00431	1
10	A01158	1
11	A01627	1
12	A00400	1
13	A01653	1
14	A02116	1
15	A00082	1
16	A00212	1
17	A03596	2
18	A02911	2
19	A02807	1
20	A00991	2
21	A00323	3
22	A02914	1
23	A00802	1
24	A02915	1
25	A01010	2
26	A00804	1
27	A03453	2
28	A03432	4
29	A02790	1
30	A03426	2
31	A01002	1
32	A03311	1
33	A00997	1

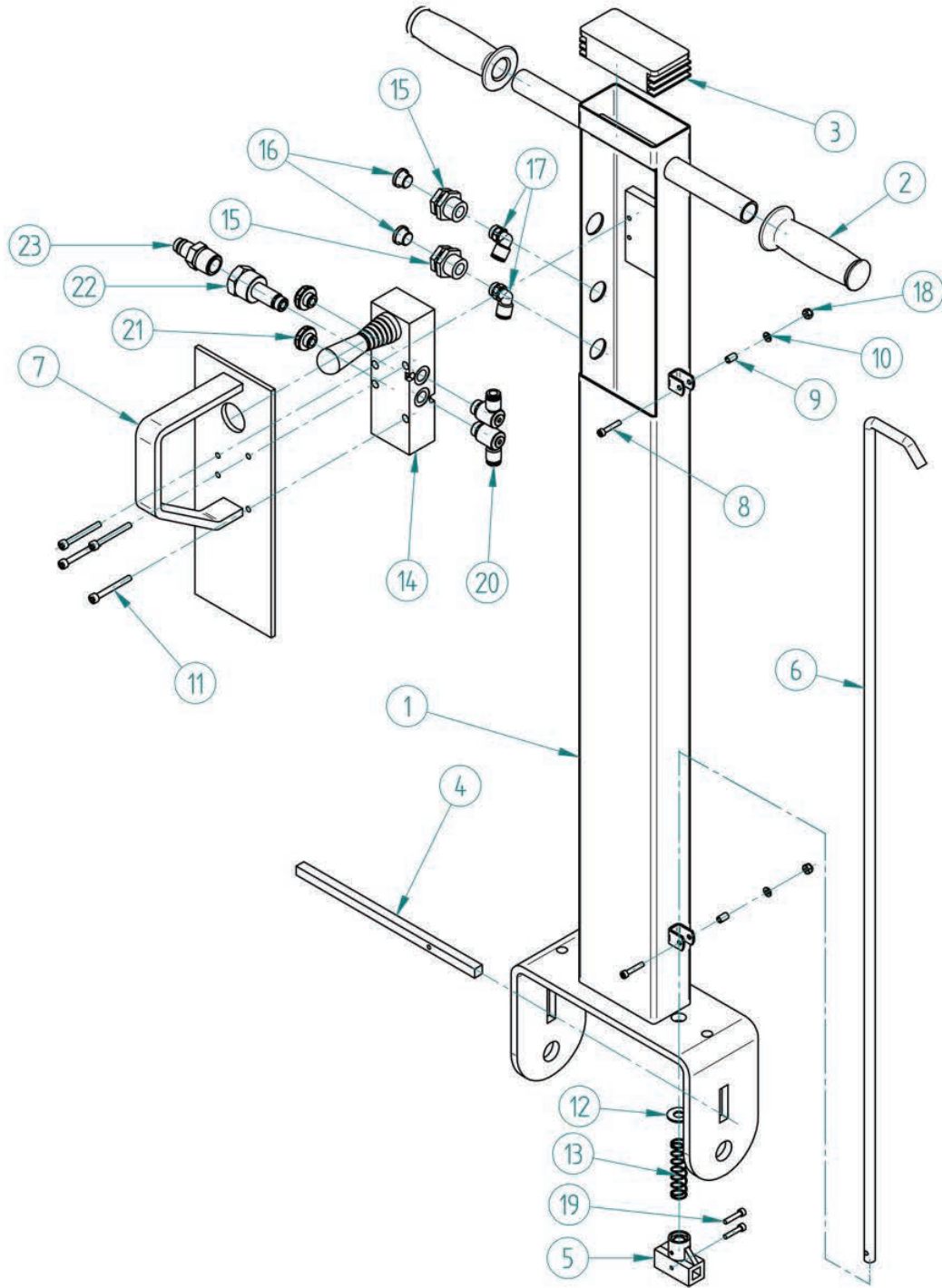


Model #91000 - Parts Breakdown



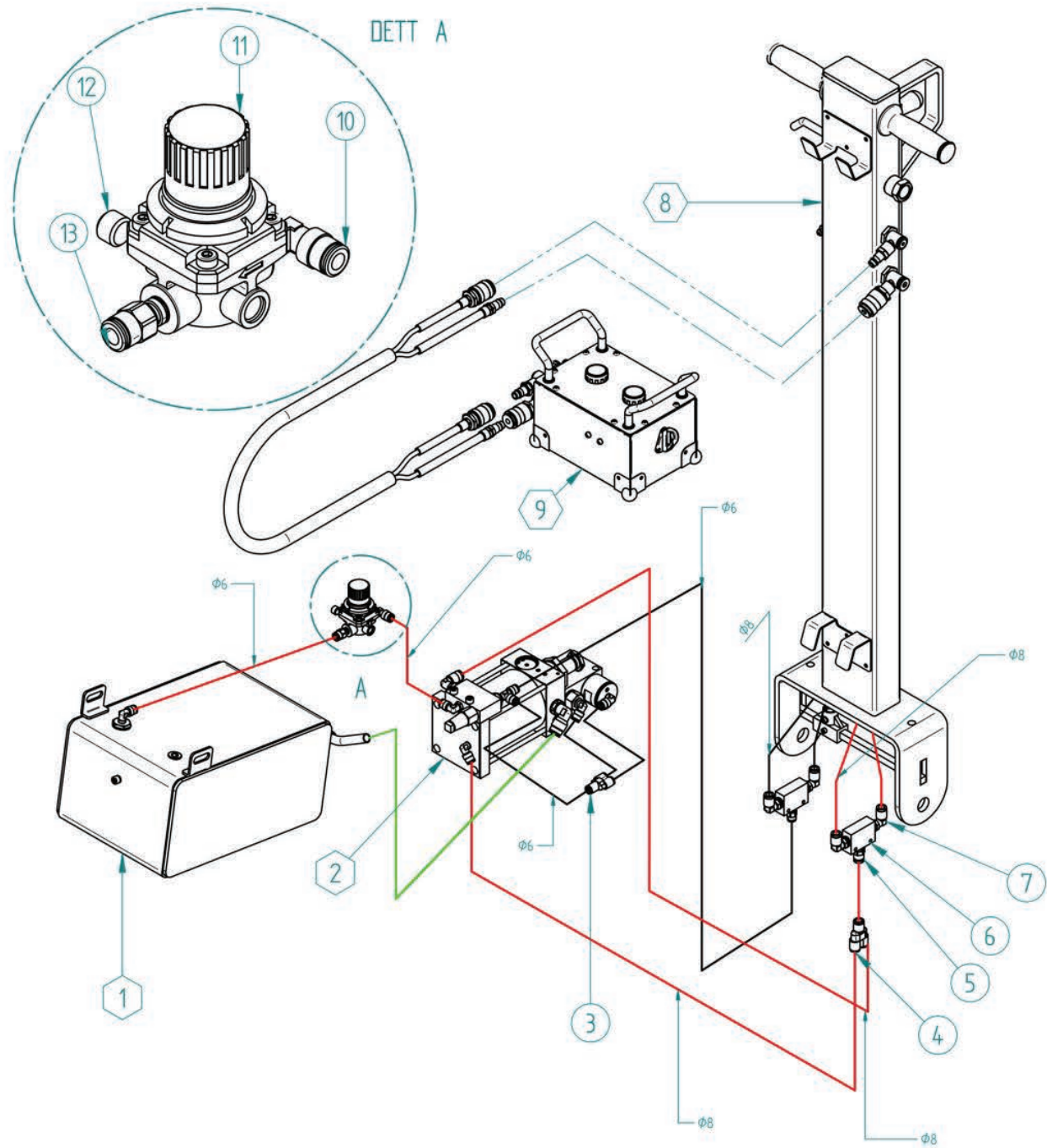
Pos.	Spare code	Q.ty
1	A02523	1
2	A02848	2
3	A01748	1
4	A00213	1
5	A02207	1
6	A02778	1
7	A03538	1
8	A02807	1
9	A03396	1
10	A02822	1
11	A03422	1
12	A02206	1
13	A02790	1
14	A03292	1

Model #91000 - Parts Breakdown



Pos.	Spare code	Q.ty
1	A02146	1
2	A00172	2
3	A00189	1
4	A01677	1
5	A02561	1
6	A01734	1
7	A00848	1
8	A03415	2
9	A01960	2
10	A02841	2
11	A03420	4
12	A02842	1
13	A00805	1
14	A03517	1
15	A02762	2
16	A03290	2
17	A02818	2
18	A00285	2
19	A03423	2
20	A02817	2
21	A00199	2
22	A02211	1
23	A02741	1

Model #91000 - Parts Breakdown



Pos.	Spare Code	Q. ty
1	A00483	1
2	A00534	1
3	A02813	1
4	A02819	1
5	A02802	1
6	A03523	2
7	A02804	4
8	A00460	1
9	A00452	1
10	A02790	1
11	A03520	1
12	A00323	1
13	A02792	2

The Proper Tools To Keep Your Equipment **MOVING**



Scan this Code to Go to
the ESCO website

WWW.ESCO.NET



CONTACT INFO:

www.esco.net - info@esco.net

15270 Flight Path Drive

Brooksville, FL 34604

PH. 352.754.1117

Toll Free. 1.800.352.9852 (US, Canada Only)

Fax: 352.754.4508

ESCO - The Proper Tools to Keep Your Equipment Moving!

Stay Connected with ESCO...

