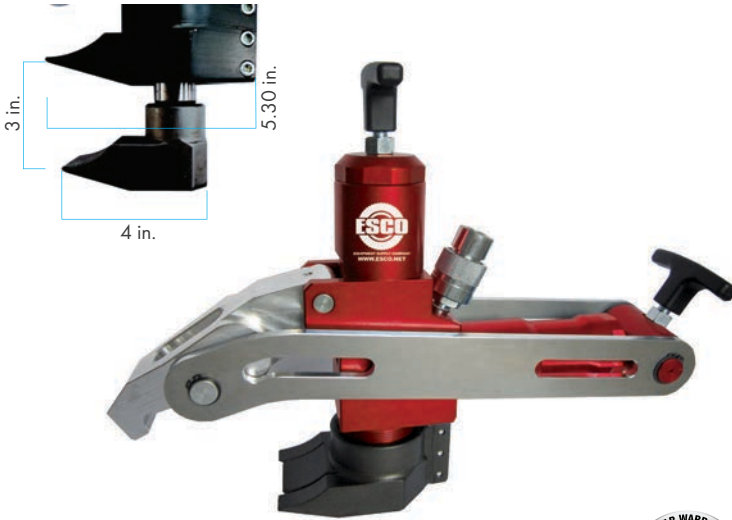


ALUMINUM Hydraulic Tire Bead Breakers



Combi Style

MODEL 40801



- ▶ **Aluminum Construction - Lightweight**
- ▶ 10 Tons of Bead Breaking Force
- ▶ Comparable to the #10101, Combi Bead Breaker
- ▶ To be used on 3-Piece Wheel Assemblies.
- ▶ Extended Jaw for Deep Dish Style Wheels (Extended Flange)
- ▶ Stroke: 2.75" **70mm**
- ▶ Weight: 19 lbs. **8.5 kg**



Earthmover Style

MODEL 40802



- ▶ **Aluminum Construction - Lightweight**
- ▶ *Specialty Designed Claws* - Able to be used on Wheels with Smaller Bead Pockets. (see chart below)
- ▶ **Includes:** (2) Aluminum Style Wedges **40208-20** to increase usage on wider range of wheel assemblies & **40802-6A** Claw to be used on 5 Piece Wheel Assemblies 25" - 51"
- ▶ Bead Breaker with *Swivel Style Coupler* Available: Model #40802S
- ▶ Stroke: 2.75" **70mm**
- ▶ 20 Tons of Bead Breaking Force
- ▶ Weight: 17.6 lbs. **8 kg**

AVAILABLE WITH
SWIVEL COUPLER



PROFESSIONAL LINE - Hydraulic Pumps

3.5 Quart - Plastic

MODEL 10500



5 Quart - Metal

MODEL 10592



ECONOMY LINE - Hydraulic Pumps

5 Quart - Plastic

MODEL 10875



5 Quart - Metal

MODEL 10877

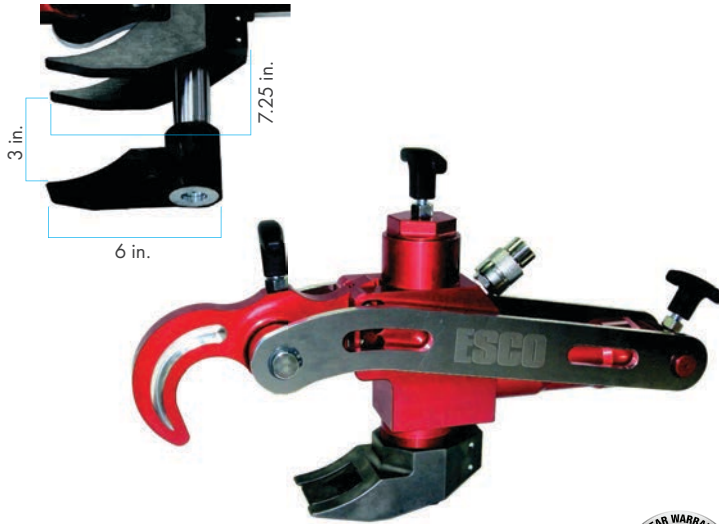


sales@esco.net **WWW.ESCO.NET** 1.800.352.9852



ALUMINUM Hydraulic Tire Bead Breakers

**NEW
DESIGN!**



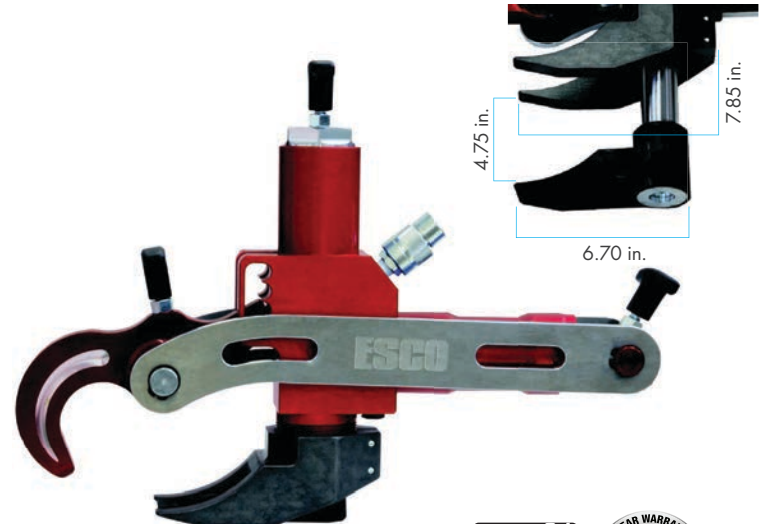
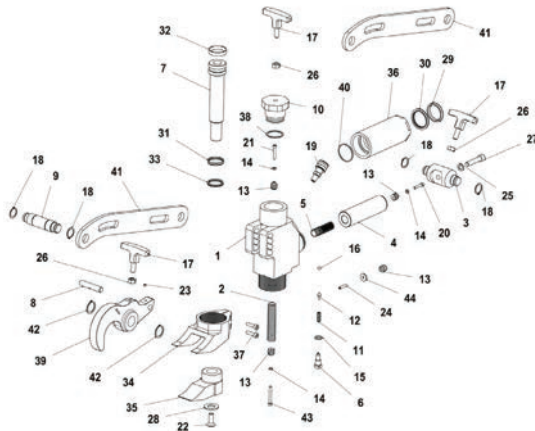
Euro Style **SHORT**

**100%
MADE IN
EUROPE**

**3
YEAR WARRANTY**

MODEL 40804

- ▶ Aluminum Construction - *Lightweight*
- ▶ Detaches inside and outside truck and tractor tire beads from rims.
- ▶ For 3-Piece Wheel Assembly
- ▶ Works on Caterpillar Rims from 25" to 57"
- ▶ 5 Tons of Bead Breaking Force
- ▶ Stroke: 3" **75mm**
- ▶ Weight: 38 lbs. **17 kg**



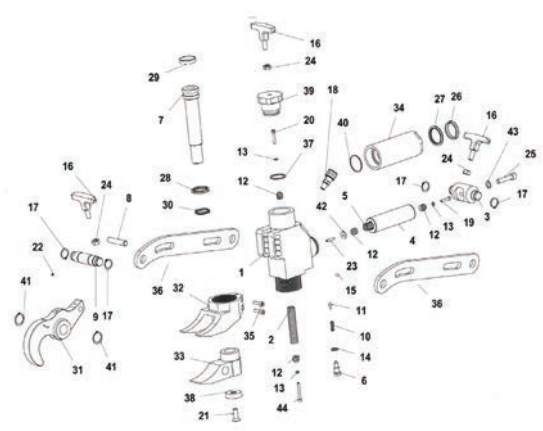
Euro Style **LONG**

**100%
MADE IN
EUROPE**

**3
YEAR WARRANTY**

MODEL 40805

- ▶ Aluminum Construction - *Lightweight*
- ▶ Earthmover Style Bead Breker for EM Tires 25" to 57"
- ▶ For 3-Piece Wheel Assembly
- ▶ Great for use on Caterpillar 952G, 924G, Volvo L120 Rim Configurations.
- ▶ 5 Tons of Bead Breaking Force
- ▶ Stroke: 4.75" **120mm**
- ▶ Weight: 39 lbs. **17.4 kg**



sales@esco.net **WWW.ESCO.NET** 1.800.352.9852



COPYRIGHT 2016 • 15270 Flight Path Drive • Brooksville, FL 34604

