



Equipment Supply Company

Instruction Manual

3 Ton Jack Stands - *High Performance Style*

MODEL 10497

MODEL 10498

MODEL 10499



Read this manual and follow All Safety Rules and Operating Instructions before ANY use of this product.

CAUTION:

READ AND FOLLOW ALL WARNINGS, CAUTIONS AND INSTRUCTIONS ASSOCIATED WITH THE PROPER USE OF THIS PRODUCT, FAILURE TO COMPLY COULD RESULT IN DEATH, BODILY INJURY AND/OR DAMAGE TO EQUIPMENT.

Specifications

Model	Capacity (Per Stand)	Min. Height	Max. Height	Base Size
10497	3 Ton 6,000 lbs.	13.2" 335mm	21.5" 546mm	12" x12" 305mm
10498	3 Ton 6,000 lbs.	13.2" 335mm	21.5" 546mm	12" x12" 305mm
10499	3 Ton 6,000 lbs.	11" 280mm	17" 432mm	9.5" x 9.5" 241mm

Important Safety Information

Read these safety warnings before operation.

WARNING!

Failure to heed these warnings may result in loss of load, damage to jack stands, and / or jack stand failure resulting in personal injury or property damage.

WARNING!

Do not overload jack stands beyond rated capacity. Overloading can cause damage to or failure of the jack stands and bodily harm. Position load on center of saddle only. Always use stands on hard level surface capable of sustaining the load. Use of stands on anything other than a hard level surface can result in stand instability and possible loss of load. It is recommended when lifting front end or back end of vehicle to use a pair of matching jack stands.



NOTE: The manufacturer is not responsible in any way for any damage that may result to persons or objects due to improper use of these Jack Stands.

Maintenance & Inspection

1. Visual Inspection shall be made before each use of the stands, checking for cracks, cracked welds and missing and / or damaged parts. Any stand that appears to be damaged in any way should be removed from service immediately. If in doubt call ESCO - Equipment Supply Co. at 1-800-352-9852.
2. Because of the potential hazards associated with the misuse of equipment of this type, no modifications should be made of the product without consent from manufacturer.

Operation

ALWAYS chock the wheel(s) opposite where you are lifting. Use recommended (2) wheel chocks in front and behind the wheel(s) to keep vehicle from shifting forward/backward.

- Refer to your vehicle owner's manual for proper jacking procedures. Lift only on areas of the vehicle specified by the vehicle manufacturer.



NOTE: If only supporting one corner of the vehicle, place jack stand under the manufacturers recommended jacking point and adjust the height and lock in with the pin/linchpin.

SUPPORTING FRONT/REAR END:

If supporting the front or rear end of a vehicle, **ALWAYS** use jack stands in a pair locked and at the same height. **DO NOT** use any other materials such as wood, steel, etc. to gain extra height when supporting vehicle.

LIFTING ENTIRE VEHICLE:

If lifting the entire vehicle, support the front end first. Then, using a matching pair locked and set to the same height, lift the back end of the vehicle.

- Position stands under vehicle at points specified by the vehicle manufacturer as proper load support points.

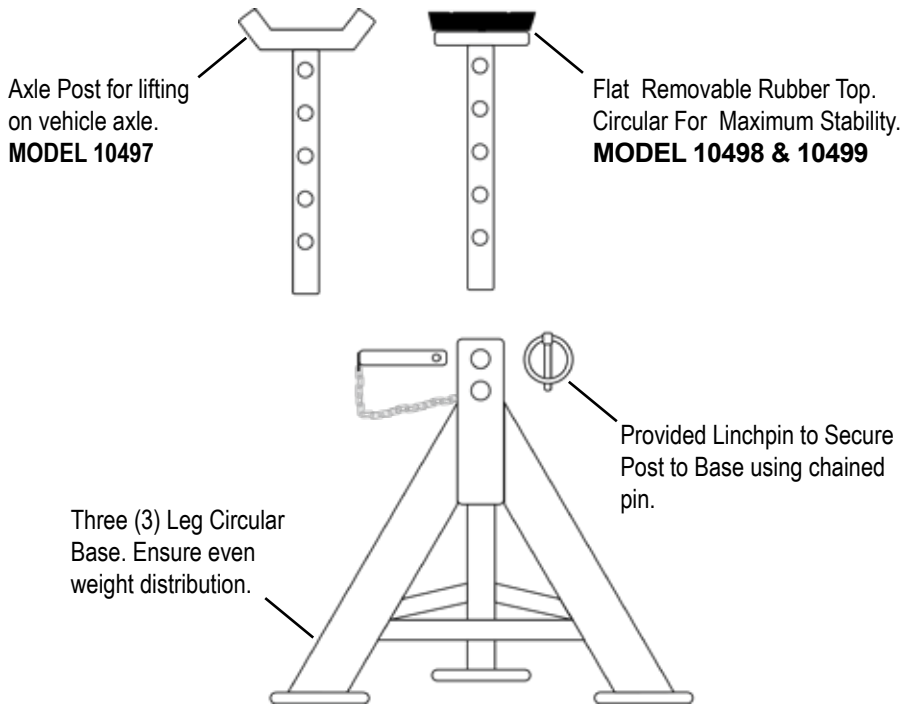
ALWAYS inspect the vehicle load and jack stands to make sure that the jack stand(s) is/are positioned flat on the ground on all three sides and the vehicle **DOES NOT** shake or tilt while supported.



NOTE: Jack stands are **NOT** to be used as a permanent lifting/stability solution and are **ONLY** to be used during the repair of vehicle. **DO NOT** leave vehicle on jack stand(s) for an extended period. This may lead to damage to jack stand(s), vehicle, and/or worse possible harm/death.

Operation (Cont.)

- To adjust stands:
 1. Remove Linchpin and chained pin and adjust to the desired height.
 2. Place chained pin into hole location and attach the Linchpin and lock pin in.
 3. Carefully lower load onto stands.



LINCHPIN:

Proper Connection of the Linchpin to the chained pin as seen above. Please make sure when receiving this product all parts are included.



NOTE: Only attachments and/or adapters supplied by the manufacturer shall be used with these jack stands. please consult with manufacturer for approved accessories for these jack stands.



CONTACT INFO:

www.esco.net - info@esco.net
15270 Flight Path Drive
Brooksville, FL 34604
PH. 352.754.1117
Toll Free. 1.800.352.9852 (US, Canada Only)
Fax: 352.754.4508

ESCO - The Proper Tools to Keep Your Equipment Moving!

Stay Connected with ESCO...

