

HD 10 Ton High-Lift Jack Stand

MODEL 10493



NEW!

Adjustable Screw Lifting Pad For Precise Height.



Spring Assisted Main Shaft With Adjustable Pin Positions.

Foldable Tripod Stand For Easy Storage.



(3) Three-Spring Loaded Caster Wheels Make It Easy To Move.

Benefits & Features:

- ▶ A lifting capacity of up to 10 Tons (20,000 lbs.).
- ▶ Foldable tripod stand designed for easy storage.
- ▶ Spring assisted main shaft for safe and easy positioning.
- ▶ Adjustable pin selections for precise height.
- ▶ Adjustable screw lifting pad for added height.
- ▶ Ideal for repairs on transmissions, engines, exhaust systems and more.
- ▶ Easy to assemble with no tools needed.

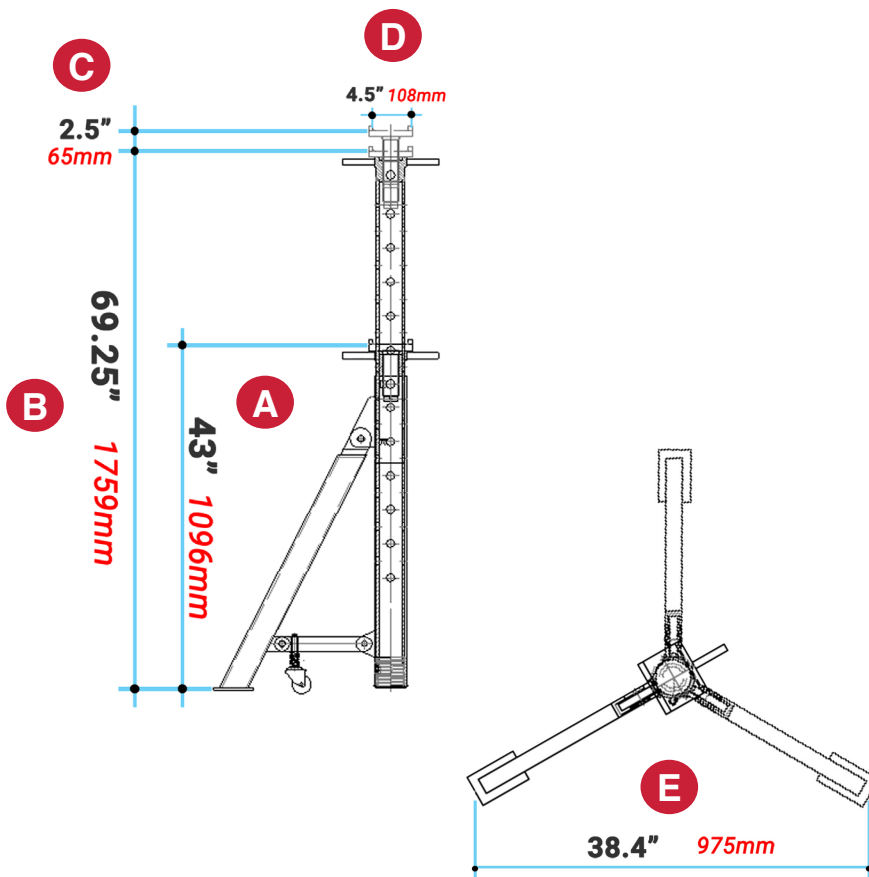
Specifications:

MODEL 10493

ESCO

We Keep
Your Equipment
MOVING

The HD 10 Ton High-Lift Jack Stand [Model #10493] is designed to provide extra heavy-duty support on raised vehicles. The High-Lift Jack Stand has a spring assisted shaft and up to 11 total adjustable pin positions for precise height. Also included is an adjustable lifting pad to support the load. With three spring loaded caster wheels, movability is simple and easy. The folding tripod design makes for easy storage.



Model Style		10493
Capacity		10 Tons 20,000 lbs.
Net Weight		200 lbs. 90kg
Min. Height:	A	43" 1096mm
Max. Height:	B	69.25" 1759mm
Saddle Height:	C	2.5" 65mm
Saddle Width:	D	4.5" 108mm
Overall Width:	E	38.4" 975mm

NOTE: ESCO reserves the right to change, alter, or modify product(s) without notice. This includes but is not limited to product: color, design, parts, accessories, etc.

sales@esco.net WWW.ESCO.NET 1.800.352.9852



COPYRIGHT 2016 • 15270 Flight Path Drive • Brooksville, FL 34604

