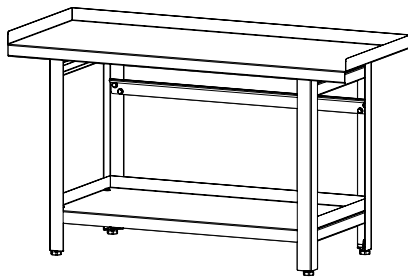
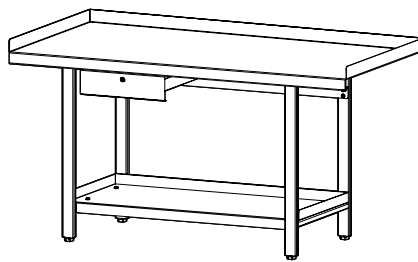




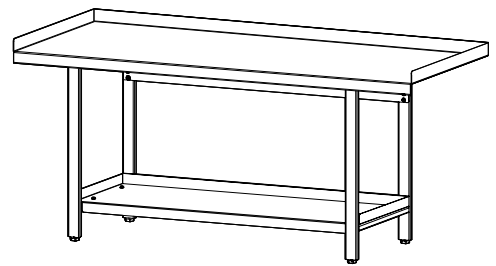
Workbenches — 1300 lb Capacity Owner's Manual



3990



3995



3996

Unpack your workbench and check to make sure that it was not damaged during transit

⚠ WARNING



These workbenches are heavy. We strongly suggest that two people be used to unpack and assemble these workbenches.

SPECIFICATIONS

Model 3990

Dimensions: 61" x 25" x 36"

Model 3995

Dimensions: 61" x 31" x 36"

Model 3996

Dimensions: 72" x 31" x 36"

CONTENTS

Model 3990

A	Workbench Top	1
B	Low Shelf	1
C	Left Open Leg	1
D	Right Open Leg	1
E	Crossbar	1
F	M10 x 20mm Bolts	16
G	Leveling Feet	4
H	Nuts	12
I	Washers	28

Model 3995

AA	Workbench Top	1
BB	Low Shelf	1
CC	Closed Legs	2
DD	Crossbar	1
EE	M8 x 20mm Bolts	16
FF	Leveling Feet	4
GG	Washers	16
HH	Drawer & Retaining Plate	1
II	Self-tapping Screws	2

Model 3996

AA	Workbench Top	1
BB	Low Shelf	1
CC	Closed Legs	2
DD	Crossbar	1
EE	M8 x 20mm Bolts	16
FF	Leveling Feet	4
GG	Washers	16

A



Brand



fig.1

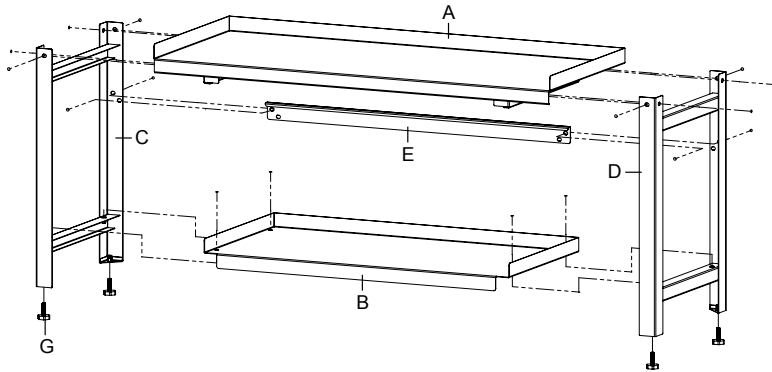
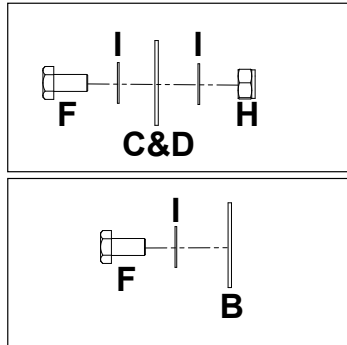
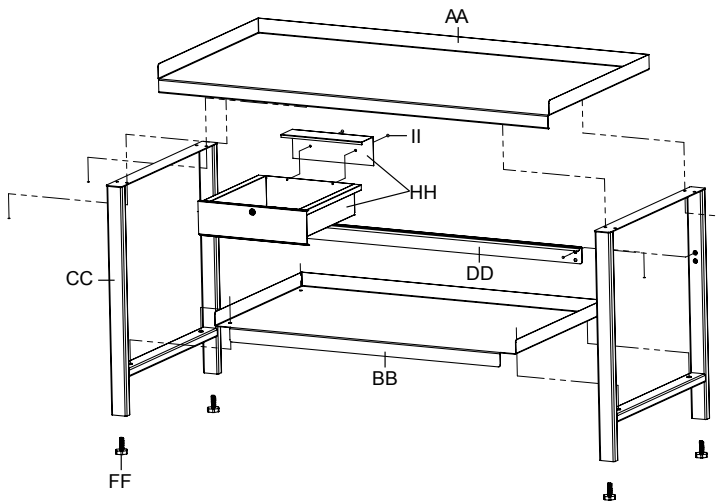
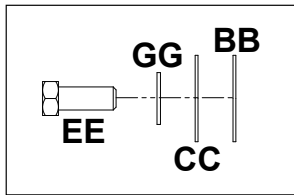


fig.2



Left & Right Legs (see figures 1 & 2)

Attach the left and right legs to the workbench top and lower shelf.

1. Align the four holes at the top of the legs with the holes located at the mounting bracket.
2. Insert a bolt with a washer through each of the holes of the leg and then through the mounting bracket holes.
3. Place a washer and nut onto each of the bolts and hand tighten.

Note: Only open legs need the nuts for assembly.

4. Repeat the steps for remaining leg.

Note: Do not fully tighten the nuts at this time.

Crossbar (see figures 1 & 2)

1. Attach crossbar to back of left & right legs.
2. Align crossbar end holes with the holes in back of left and right legs.
3. Tighten bolts and washers through crossbar end holes into leg holes.

Note: Do not fully tighten the nuts at this time.

Lower Shelf (see figures 1 & 2)

1. Align the holes in the lower shelf with the holes in the legs.
2. Insert a bolt through a washer then through each of the holes in the legs and through the holes in the lower shelf.

Note: Do not fully tighten the nuts at this time.

3. Set the workbench upright onto its feet. Make sure it is completely stable and resting on the legs, then fully tighten all nuts with a wrench.

Drawer (see figure 2)

1. Install the drawer by sliding it into place on the drawer runners.
2. Once drawer is in place on the drawer runners, align the holes of the retaining plate with the holes on the rear wall of the drawer.
3. Using the two self tapping screws, fasten the drawer retaining plate to the rear of the drawer.

A