

EcoFlow Delta Pro – Adventure Wagon Integration Kit

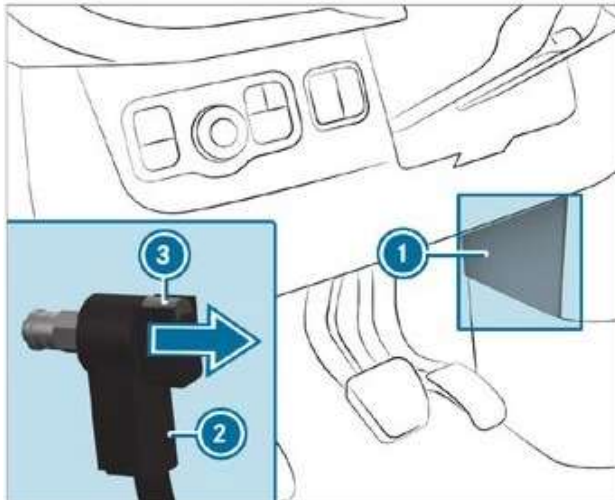
Installation Instructions

Tools list:

- 4mm Allen wrench
- Phillips head screwdriver or electric driver
- Ratchet w/
 - 13mm and 10mm standard sockets
 - EP12 external torx socket (for seat base)
- Wire crimpers
- Wire Stripper

**** USE THE DIAGRAM ON PAGE 9 TO REFERENCE WIRING LABELS****

Step 1: Disconnect the starter battery using the Battery main switch



Step 2: Remove the driver's seat and set aside. ****Please note that you must disconnect the starter battery BEFORE removing the driver's seat to avoid triggering the seat occupancy sensor malfunction.**

Step 3: Remove the driver's side rear lower wall panel:

- Loosen the forward vertical L-Track (S1 for the 144, SL7 for the 170)
- Loosen the horizontal L-Track over the low wall panel (S8 for the 144, SL11 for the 170)
- Remove the rear vertical L-Track (S2 for the 144, SL2 for the 170)
- Remove the screws that hold the bottom of the wall panel in place
- Remove the wall panel
- Disconnect the wires from the back of the 12v and USB outlets in the panel

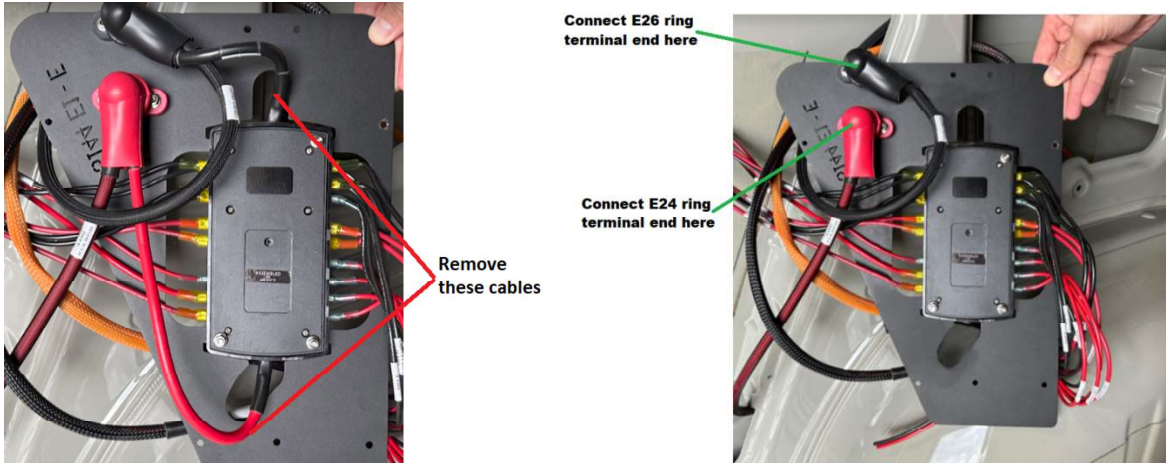
Step 4: Remove the existing USB wall socket from the wall panel and replace it with the Anderson panel power socket (ECO E21)



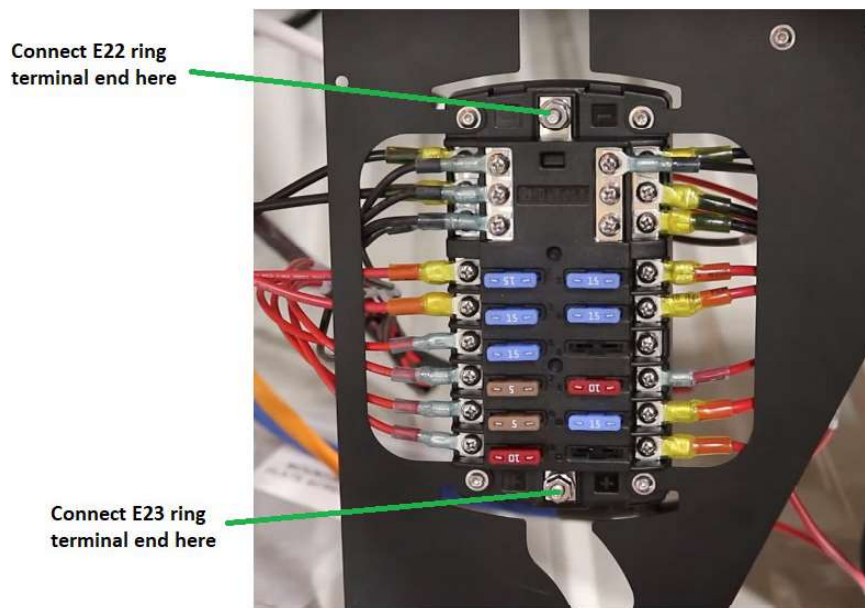
Step 5: Remove the Adventure Wagon fuse block mounting plate from the van wall cavity to gain access to the connections on the back. You may need to loosen some of the connections to manipulate the plate, but you don't need to remove any at this point.



Step 6: Slide the rubber boots off the cable ends, and remove the positive and negative wires from the connection posts to the fuse block. Then, add cables E24 and E26 to the corresponding positive and negative connections on the back of the fuse panel plate:



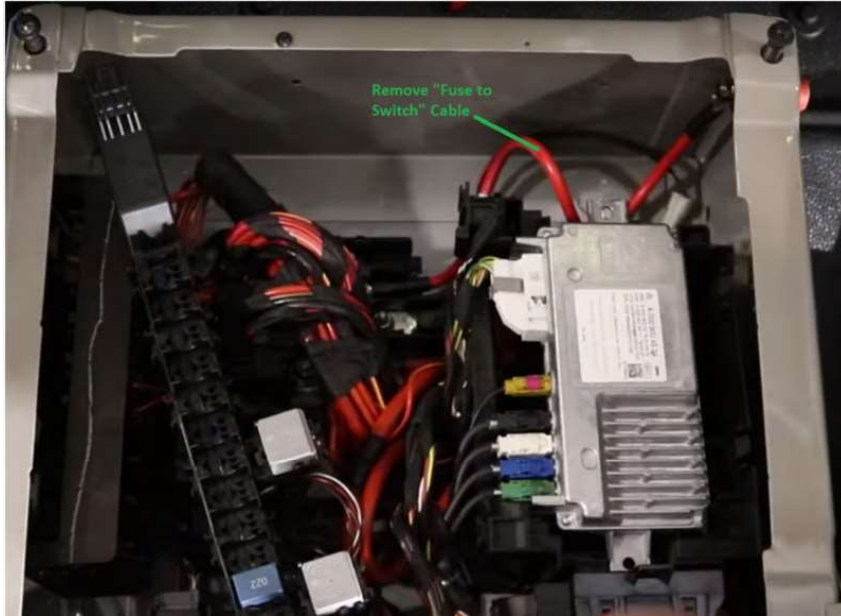
Step 7: Add cables E22 and E23 to the corresponding positive and negative posts on the fuse block. Be sure to route the cables from behind the fuse block plate, following the existing cables that are already mounted to those posts:



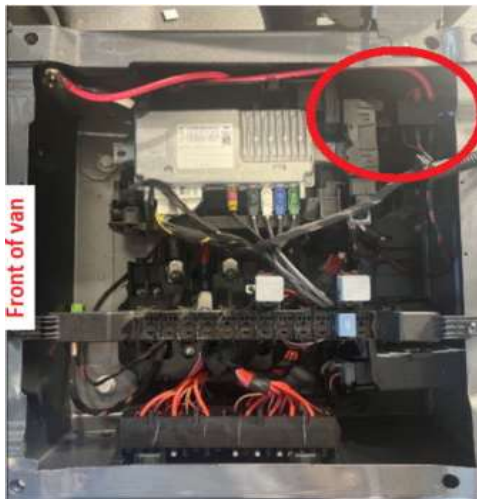
Step 8: Reattach the Adventure Wagon fuse block mounting plate to the Sprinter wall cavity, making sure all electrical connections have been tightened properly.

***NOTE*:** If you are adding the heater ground cable (Page 6 addendum), it's best not to reattach the fuse block mounting plate to the wall at this time.

Step 9: Underneath the driver seat base, remove the existing Adventure Wagon 6AWG positive cable labeled “Fuse to switch”.



Step 10: Using a 10mm socket, install the E25 cable between the battery switch on the seat base and the EK1 terminal 3 on the factory Mercedes Body Builder connection point. To access this, lift the tab on the plastic housing (circled in red) to access the 3 connection points within:



Step 11: Replace the Driver's seat and rear lower wall panel:

***Note*:** If you are adding the heater ground cable (page 6 addendum), do not replace the rear lower wall panel at this time.

- Reconnect wiring and re-attach seat, being sure to tighten bolts to 27 ft. lbs
- Connect the flag terminal end of cable E24 (red) to the positive post on the back of the existing 12v socket in the lower rear wall panel
- Connect the flag terminal end of cable E26 (black) to the negative post on the back of the existing 12v socket in the lower rear wall panel
- Connect positive (red) Anderson connector on cable E23 to the corresponding positive (red) connection on Anderson wall socket (E21)
- Connect negative (black) Anderson connector on cable E22 to the corresponding negative (black) connection on the Anderson wall socket (E21)
- Replace the wall panel and tighten all L-Track bolts to 2.3 ft-lbs.

Step 12: Connect the EcoFlow Delta Pro to the system using cable E6. Please note, the ends of this cable look similar, but are specific to the EcoFlow output connection and wall panel connection:



Step 13: Reconnect vehicle starter battery.

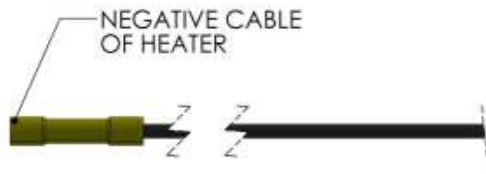
Addendum for Espar Heater ground wire:

If you have an Espar Heater installed in your Winnebago Adventure Wagon, you'll need to ground the heater to the fuse block itself. The EcoFlow Delta Pro will not function properly if the heater is grounded to the chassis.

Step 1: Using a phillips head driver, remove the front and rear trim pieces from your Smartfloor.



Step 2: Remove the passenger seat to gain access to the heater. Crimp the heater ground wire (#8 from diagram on page 7) to the negative/ground wire on the Espar Heater



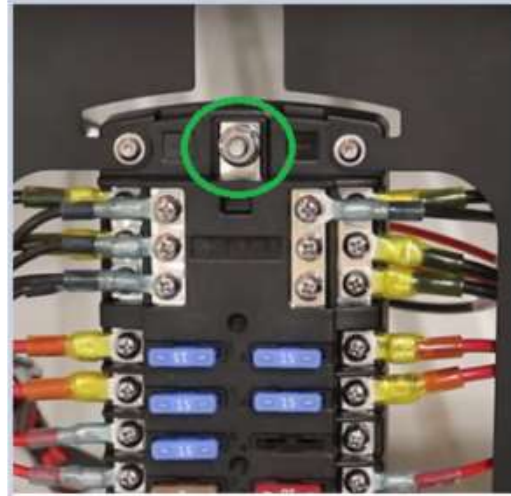
Step 3: Feed the ground cable out of the gap at the bottom of the seat base along the back edge. Then start feeding the cable through the corrugation of the Smart Floor toward the back of the van.



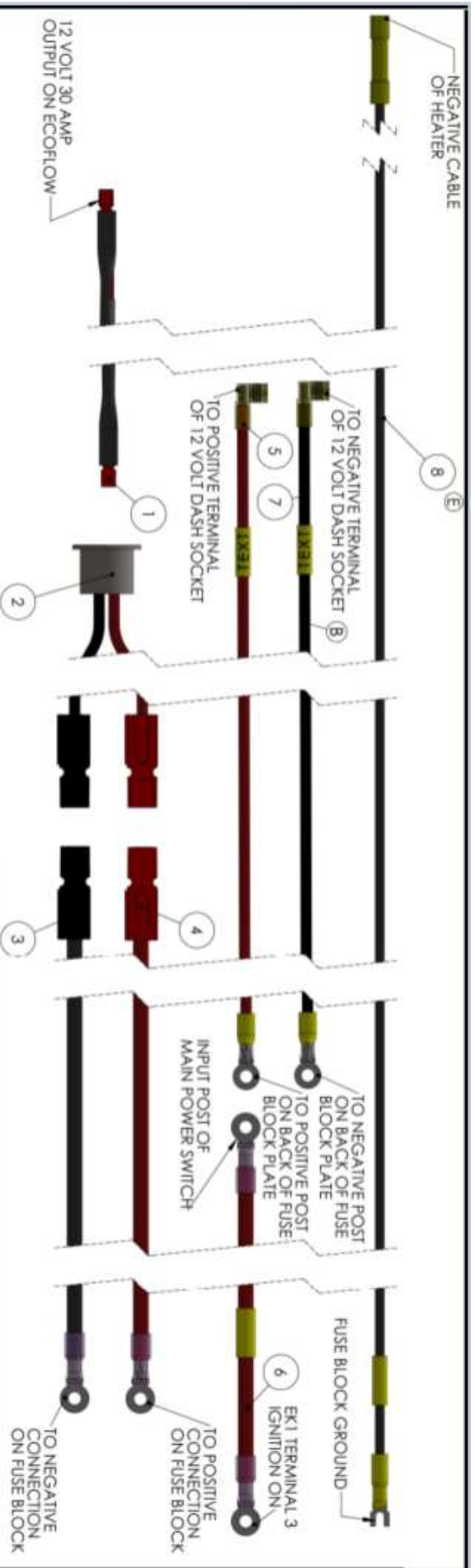
Step 4: Run the ground cable along the back, bottom edge of the SmartFloor toward the fuse block



Step 5: Feed the ground cable into one of the wall cavities and continue toward the top of the fuse block. Then, attach the forked end of the ground cable to the common ground post at the top of the fuse block



Step 6: Replace the fuse block mounting plate and rear lower wall panel. Then replace the front and rear floor trim pieces, and bolt the passenger seat back down.



ITEM NO.	PART NUMBER	DESC1	QTY.
1	E6 ECO	ECOFLOW OUTPUT CABLE	1
2	E21	BATTERY PACK OUTPUT CONNECTION 1	1
3	E22	BATTERY PACK OUTPUT GROUND CABLE	1
4	E23	POSITIVE CABLE FOR BATTERY PACK OUTPUT	1
5	E24	POSITIVE CHARGE CABLE FOR BATTERY PACK	1
6	E25	POSITIVE CABLE E1 TERMINAL 3 IGNITION ON	1
7	E26	NEGATIVE CHARGE CABLE FOR BATTERY PACK	1
8	E27	NEGATIVE HEATER CABLE ASSEMBLY	1

ADVENTURE WAGON

TITLE:
ECOFLOW INTEGRATION KIT

DWG. NO.
ECO-ADWAG INTEGRATION KIT