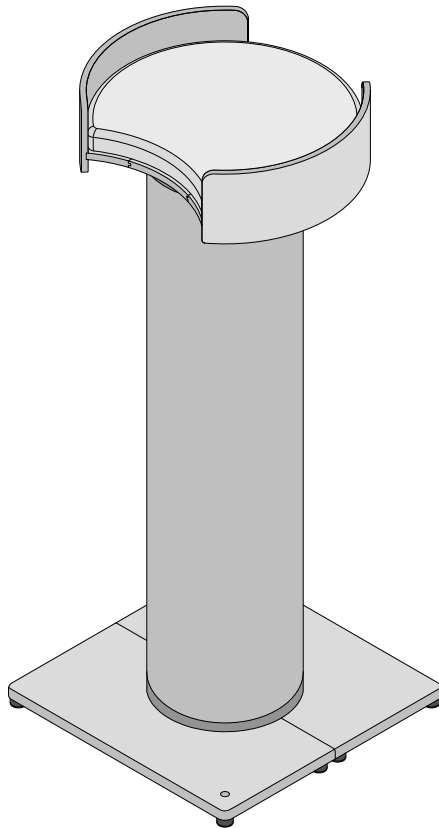




Cat Tree

Assembly Instructions

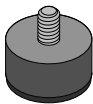


Assembly Instructions Tutorial Video



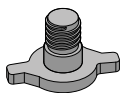
Scan QR Code or Visit
onefastcat.com/tutorials

(A)



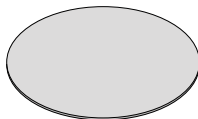
x8

(B)



x1

(C)



x1

(D)



x1

(F)



x1

(G)



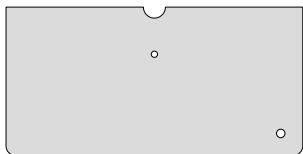
x10

(H)



x1

(I)



x2

(J)



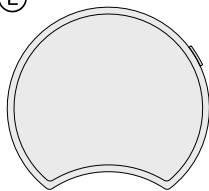
x2

(K)



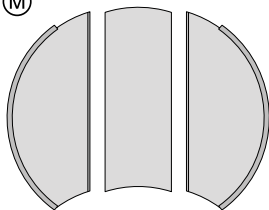
x2

(L)



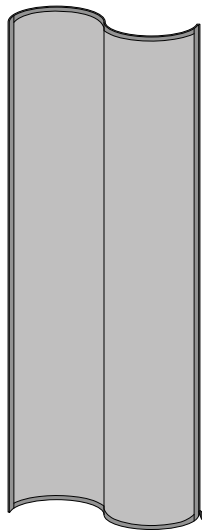
x1

(M)



x1

(E)



x1



Wait!

Installing a bed on the tower? Do not use the straight brackets, these pieces are for a stand alone bed only.

(A) Leveling Foot

(B) Fastener

(C) Felt Pad

(D) Post

(E) Sisal Wrap

(F) Allen Key

(G) Allen Screw

(H) Plastic Top

(I) Wood Base

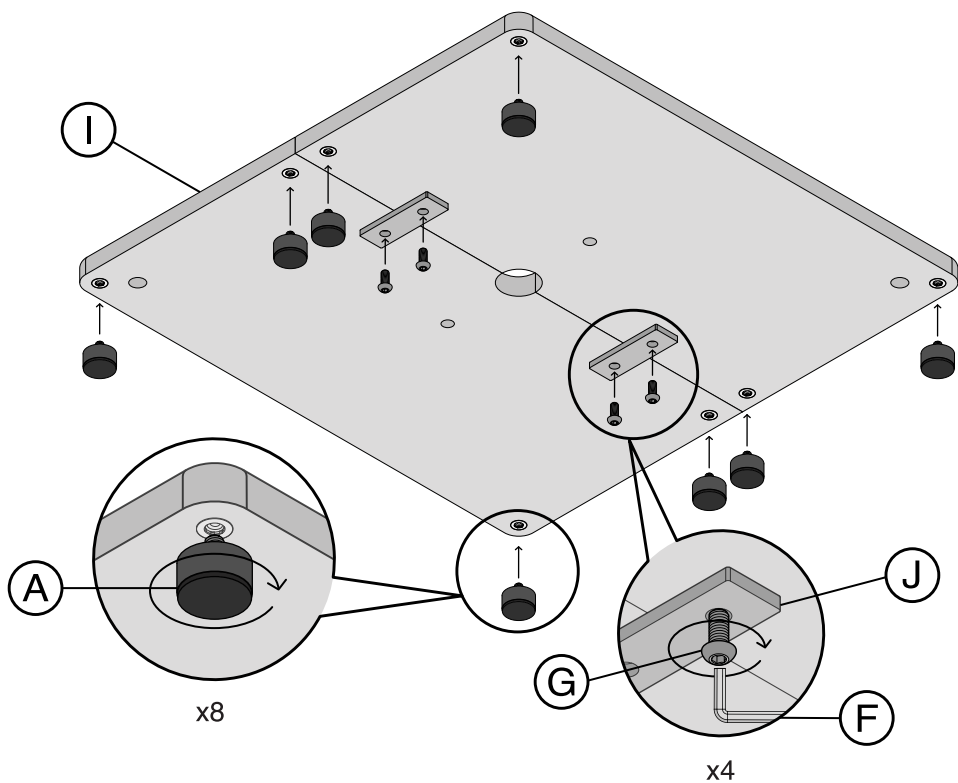
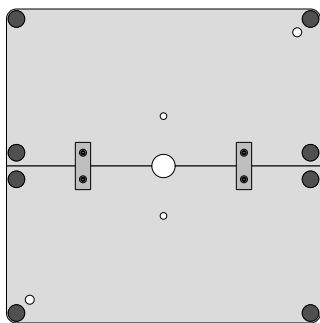
(J) Straight Bracket (Small)

(K) Straight Bracket

(L) Pillow Bed

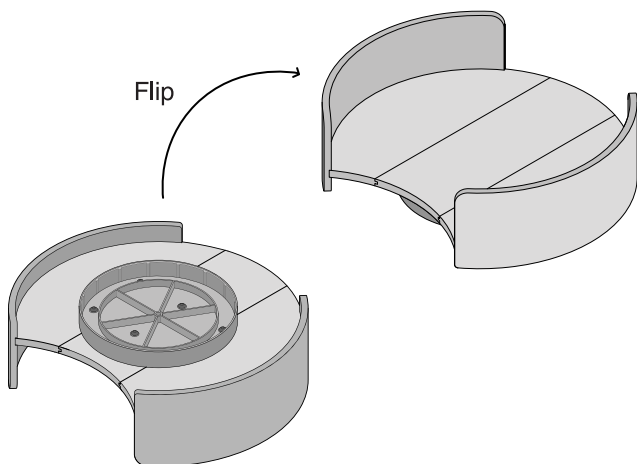
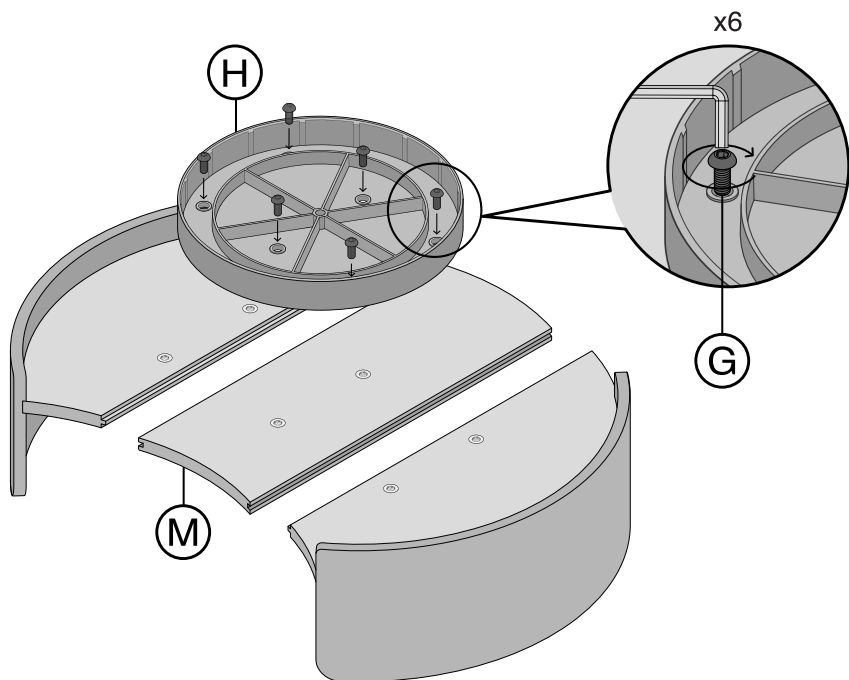
(M) Wood Frame

1.



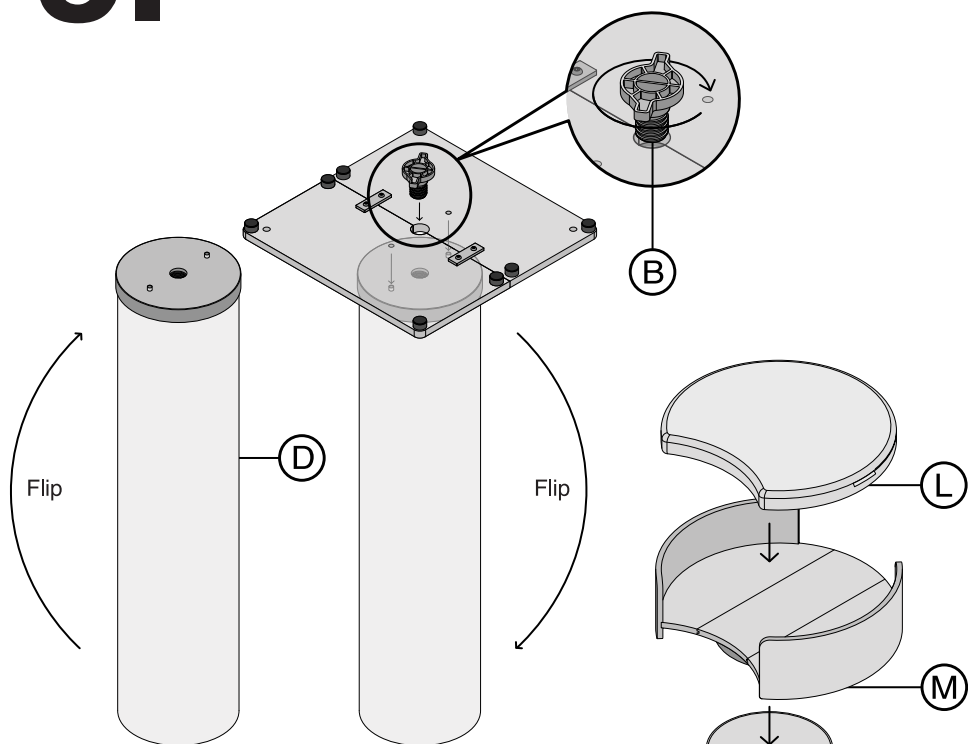
- (A) Leveling Foot
- (F) Allen Key
- (G) Allen Screw
- (I) Wood Base
- (J) Straight Bracket (Small)

2.



- (F) Allen Key
- (G) Allen Screw
- (H) Plastic Top
- (M) Wood Frame

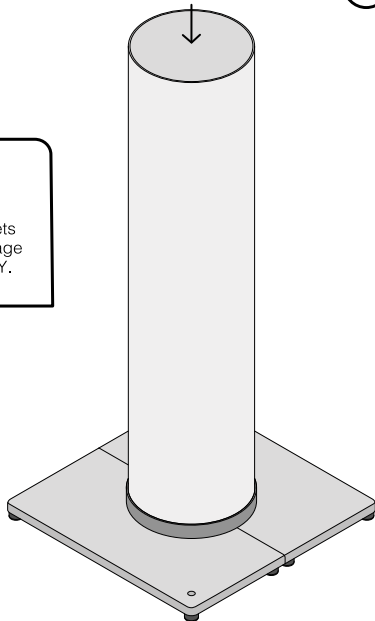
3.



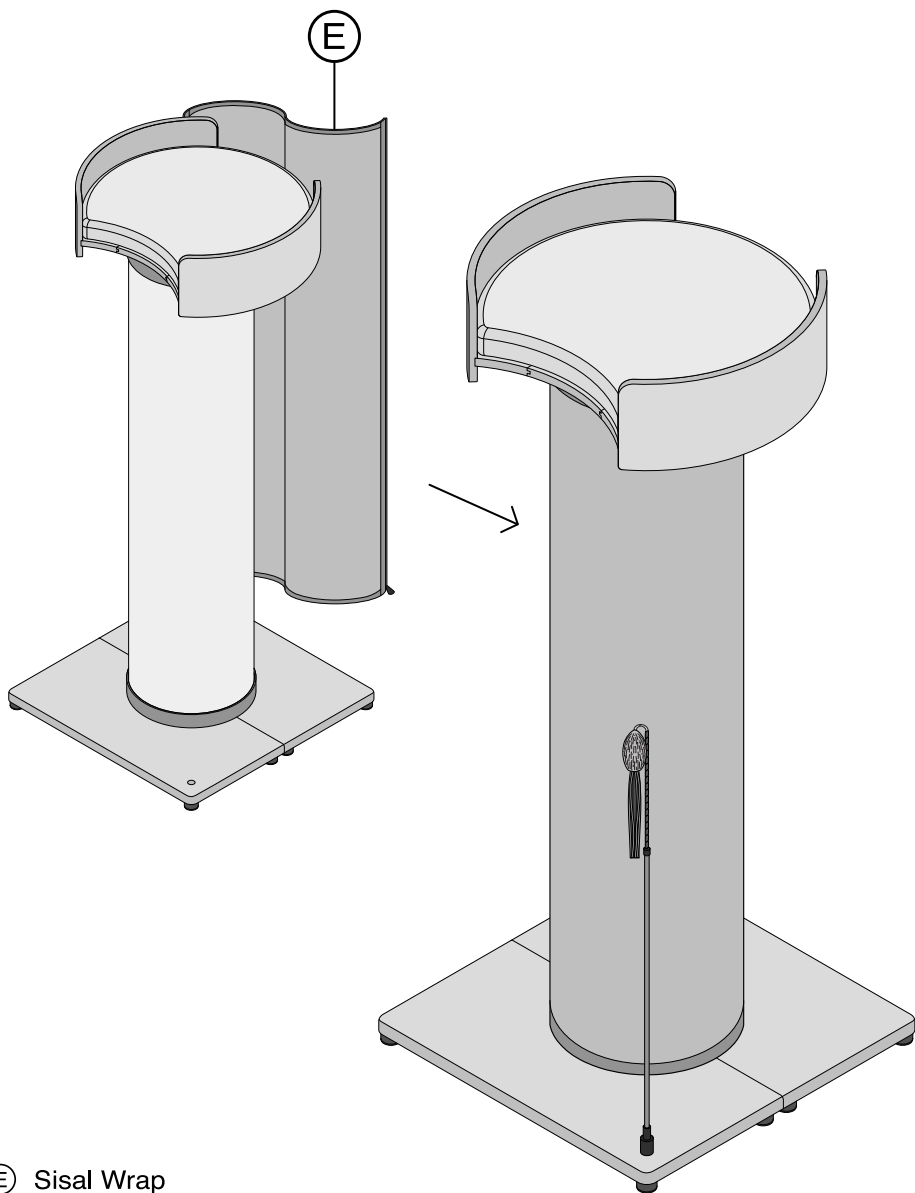
?  **Extra Parts**

When installing the bed on the post, you will be left with 2 straight brackets and a felt topper. Save these for usage later on, or use them in your next DIY.

- (B) Fastener
- (D) Post
- (L) Pillow Bed
- (M) Wood Frame with Plastic Top



4.



- Ⓔ Sisal Wrap
- Cat Wand not included.