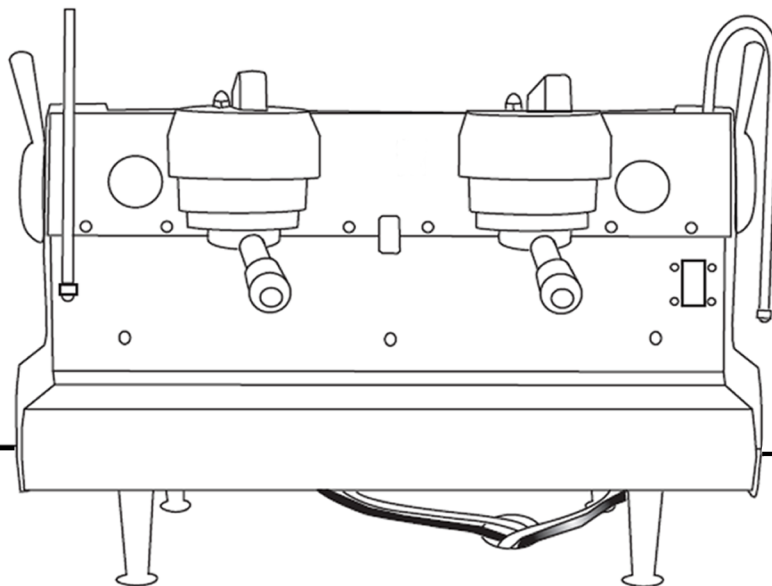
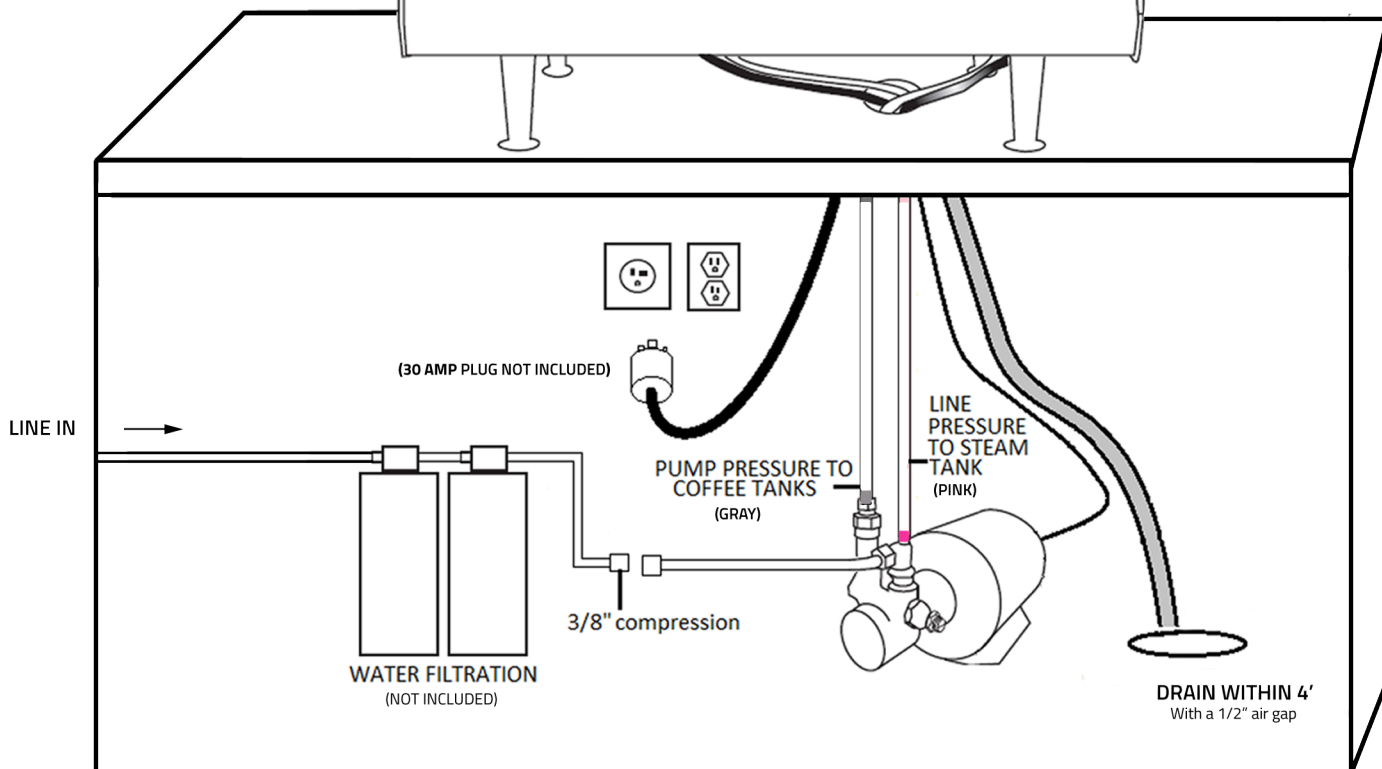


2 GROUP MVP INSTALLATION PREP GUIDE



**REMOVING LOWER BACK PANEL AND RIGHT SIDE PANEL WILL REVEAL ALL WATER LINE ORIGINS.



QUICK REFERENCE SPECIFICATIONS

DIMENSIONS: 21"(H) 30" (W) 24"(D)

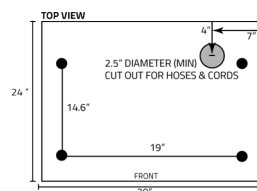
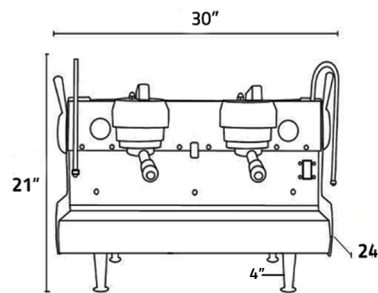
WEIGHT: 173 lbs (full)

ELECTRICAL: Volts: 220 / Amps:28

PLUMBING: Line pressure of 50psi (minimum)

FITTING: 3/8" compression w/ shut off

DRAINAGE: Within 4 feet of machine



FOR COMPLETE INSTALL INSRUCTIONS, PLEASE REFER TO TECHNICAL MANUAL PAGES 8-15