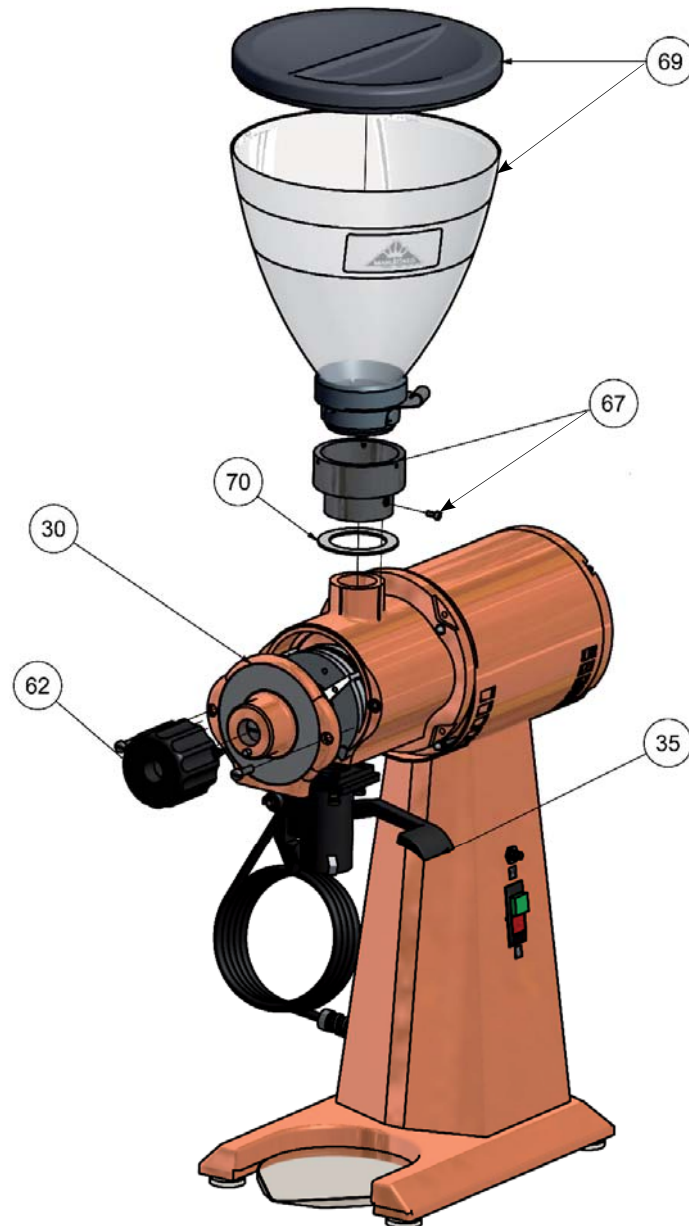


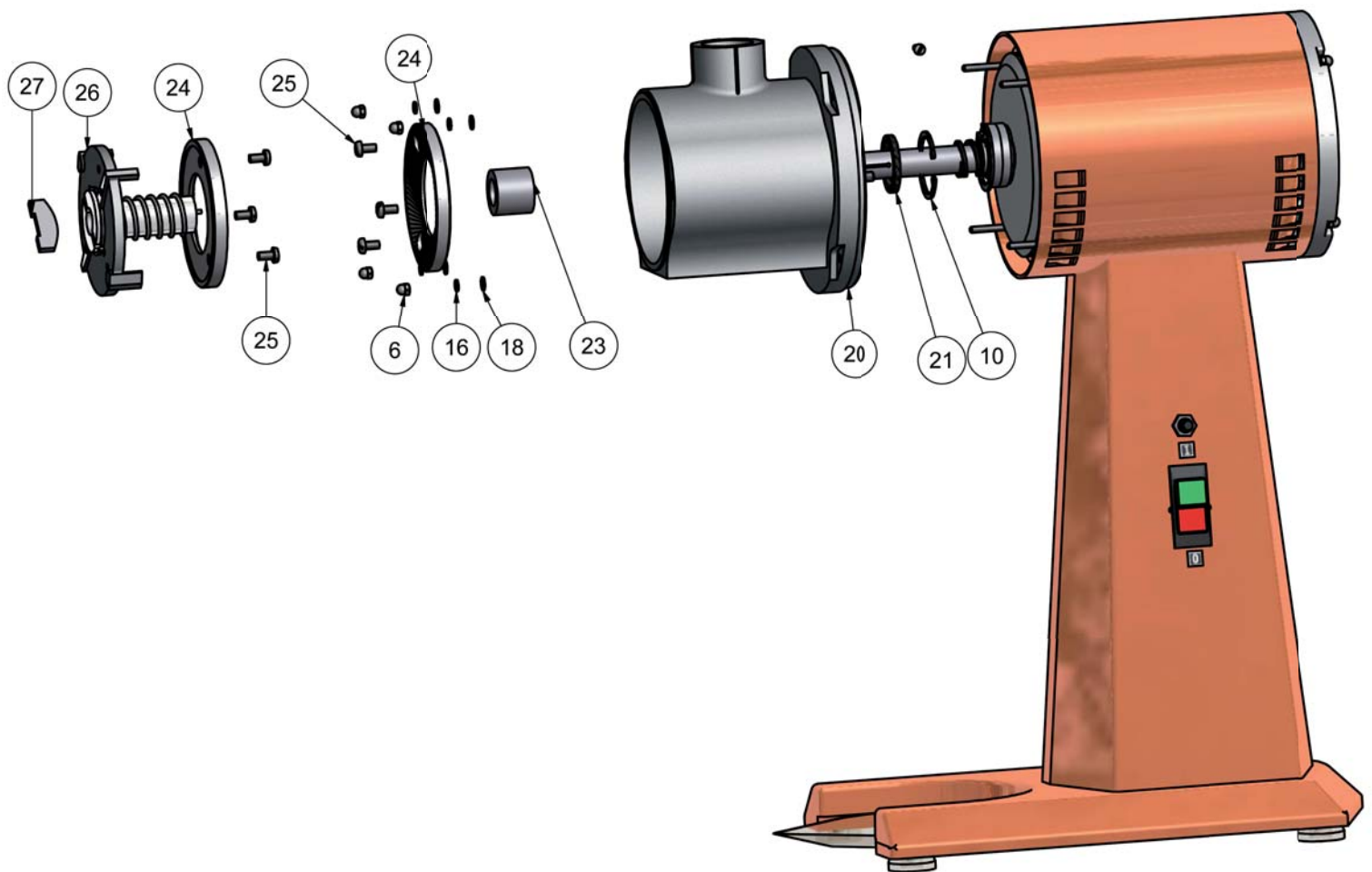
Valid from 08.02.2013
Supersedes all previously issued spare parts lists

Subject to change without prior notice.



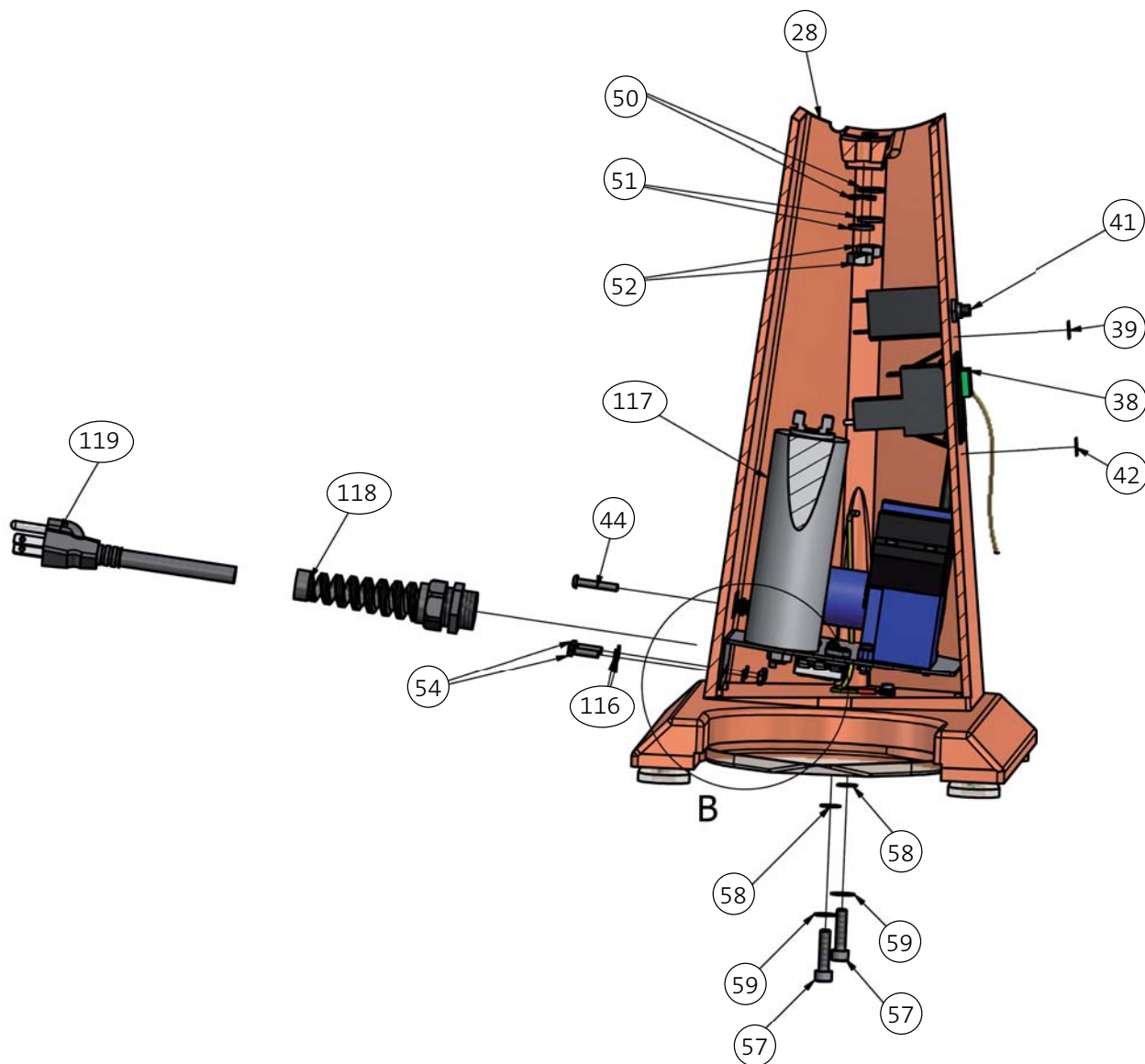
Model: EK 43 115V 60Hz

| ARTICLE NO. | DRAWING NO. | DESCRIPTION |
|-------------|-------------|--|
| 306156 | 30 | Grinder housing lid 43 compl. coffee-poppy seed-linseed flank leed |
| 300279 | 35 | Bag holder with spout |
| 305457 | 62 | Adjustment cap complete black EK44 |
| 100690 | 67 | Hopper adapter EK43 compl. for K30 hopper |
| 309559 | 69 | Hopper MAHLKÖNIG-logo complete with lid |
| 101735 | (69) | Hopper MAHLKÖNIG-logo complete with lid, coated matt black |
| 311010 | 70 | Seal ring 70x50x2 |



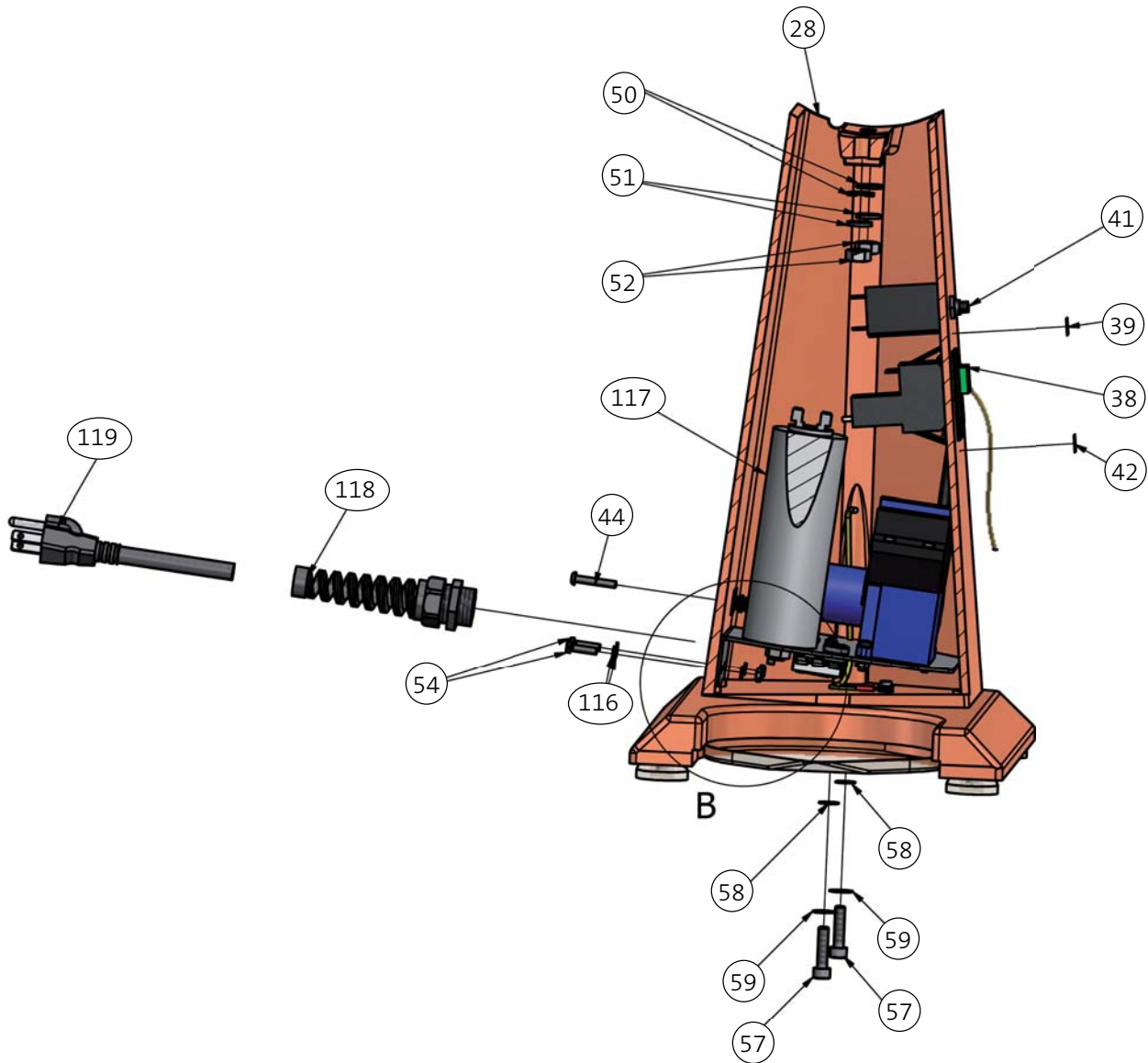
Model: EK 43 115V 60Hz

| ARTICLE NO. | DRAWING NO. | DESCRIPTION |
|-------------|-------------|--|
| 301519 | 6 | head nut M4, zn. M4 - DIN 1587 6 AU VZ |
| 301754 | 10 | retaining ring I42 x 1,75 DIN472A (Seeger) |
| 305515 | 16 | Spring washer DIN127 A4 gal Zn |
| 305647 | 18 | Washer DIN125 A4,3 gal Zn |
| 300222 | 20 | grinder housing K43 alu chill casting alloying 230 |
| 300992 | 21 | Felt ring 38/30 x 4 Neu-Filz 219 meliert spez. 0,2 |
| 300953 | 23 | distance bush, K43 St. 1.4305 30/18H7 x 18mm |
| 303931 | 24 | Grinding disc set EK43 / EKK43 coffee & spices |
| 305578 | 25 | flat head screw DIN85 M5x10 A2 |
| 300115 | 26 | pre-breaker for coffee, standard |
| 300681 | 27 | shear plate K43 #AlMg3 1/2-hart #(44 piece/board) |



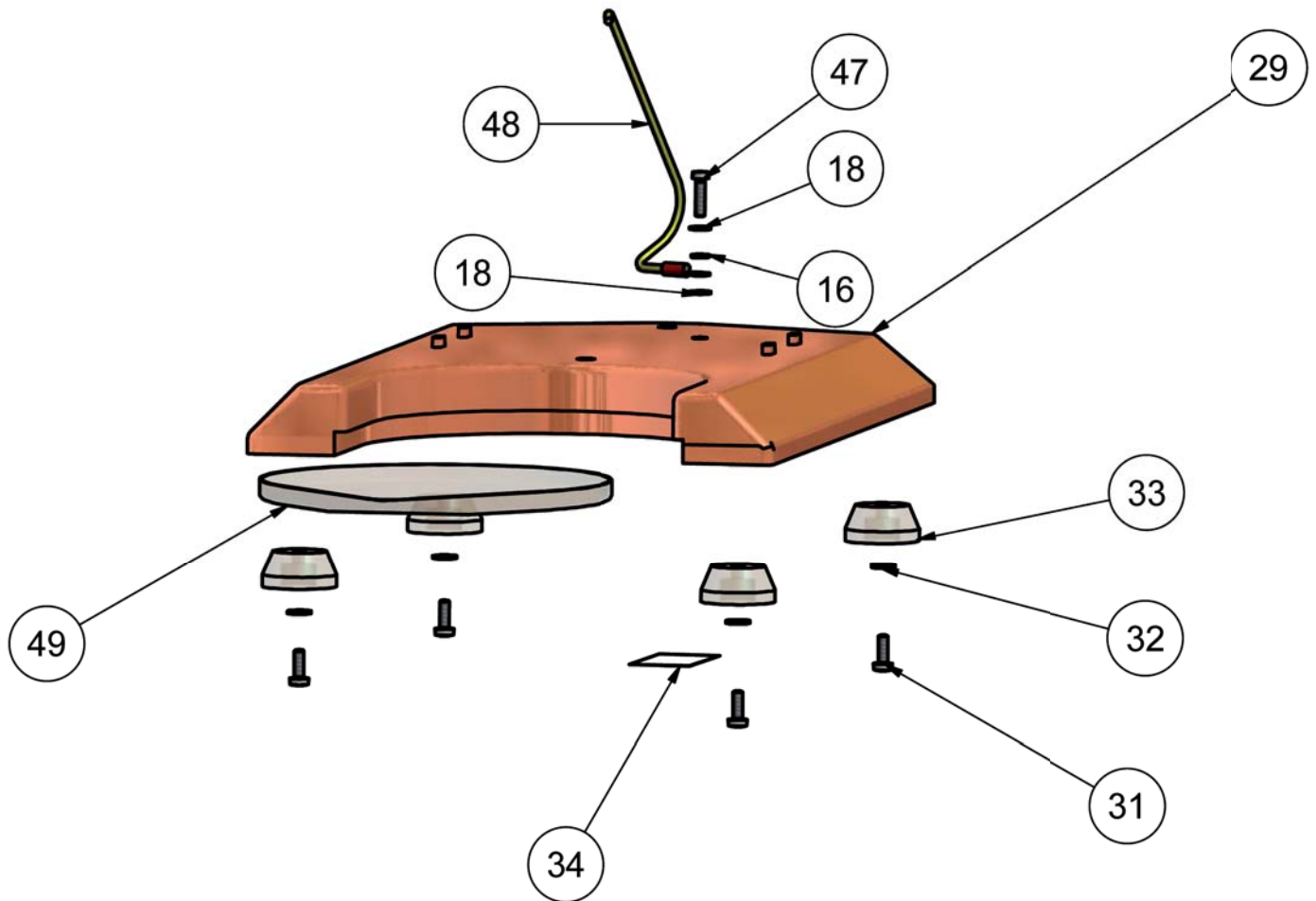
Model: EK 43 115V 60Hz

| ARTICLE NO. | DRAWING NO. | DESCRIPTION |
|-------------|-------------|---|
| 300169 | 28 | grand base alu chill casting alloying 231 |
| 302375 | 38 | Switch ON - OFF |
| 301817 | 39 | Label I |
| 302223 | 41 | Current overload protection 7A |
| 301818 | 42 | Lable O |
| 301182 | 44 | Safety screw 4 x 25 A2 ISO 50500 |
| 305650 | 50 | Washer DIN125 A8,4 |
| 301632 | 51 | Spring ring, zn. A8 DIN127 |
| 301658 | 52 | hexagon thin nut DIN934 M8 - 8 - VZ |
| 301356 | 54 | flat head screw M4 x 16 DIN85 4.8 |
| 301386 | 57 | cylinder screw M6 x 25 DIN912 8.8 zn. |
| 301389 | 58 | Spring washer zn. B6 DIN137 |
| 301749 | 59 | shim ring 8x14x0,5 DIN988 |



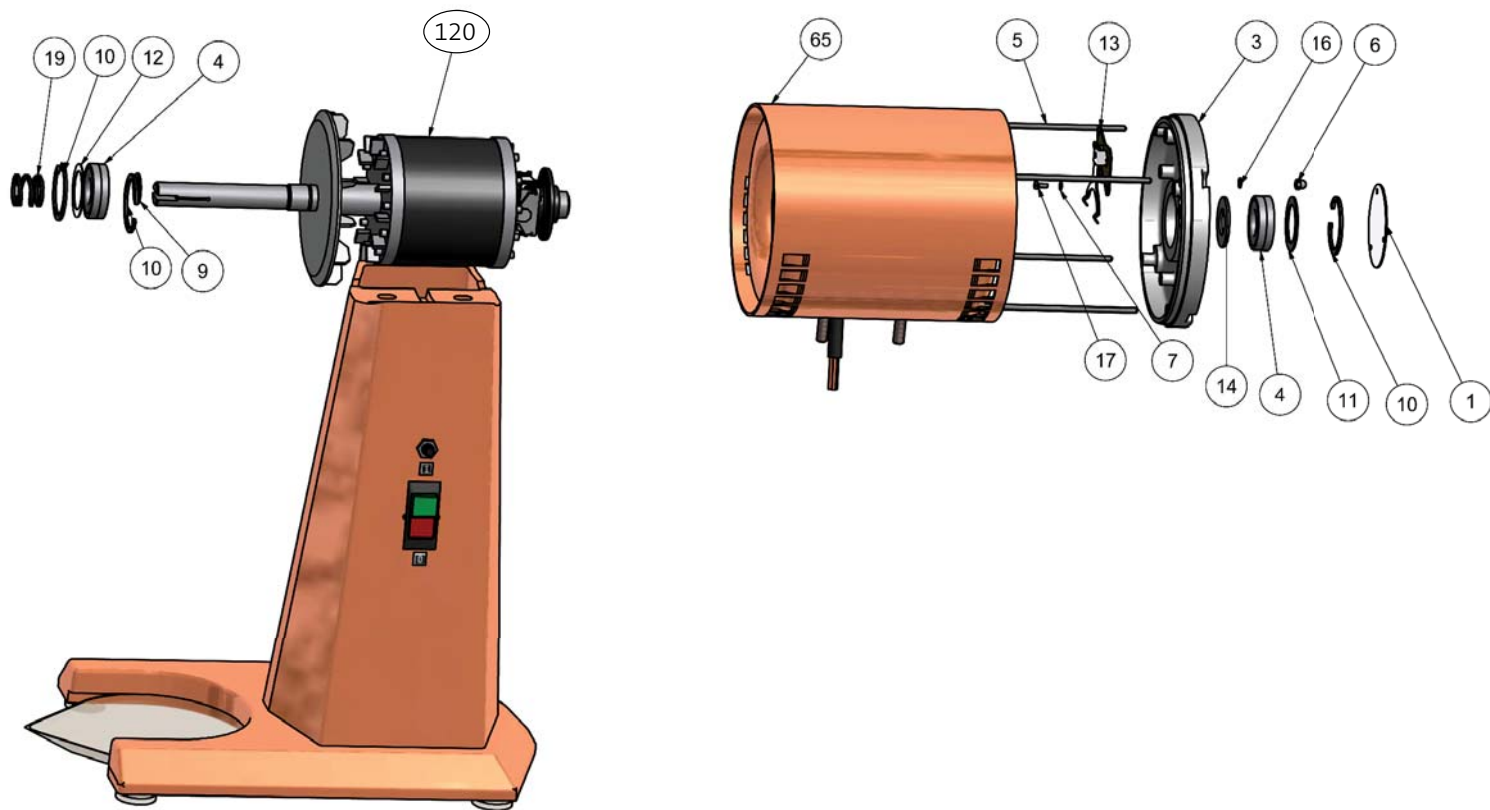
Model: EK 43 115V 60Hz

| ARTICLE NO. | DRAWING NO. | DESCRIPTION |
|-------------|-------------|---|
| 305647 | 116 | Washer DIN125 A4,3 gal Zn |
| 305898 | 117 | mounting plate, with electr. Components 115 V |
| 301209 | 118 | screwed cable gland PG16, Knickschutzsp. Skintop BS |
| 302032 | 119 | power cord with plug with UL-CSA-Zentralst. SJT AWG3x |
| | | |
| | | |
| | | |
| | | |
| | | |
| | | |



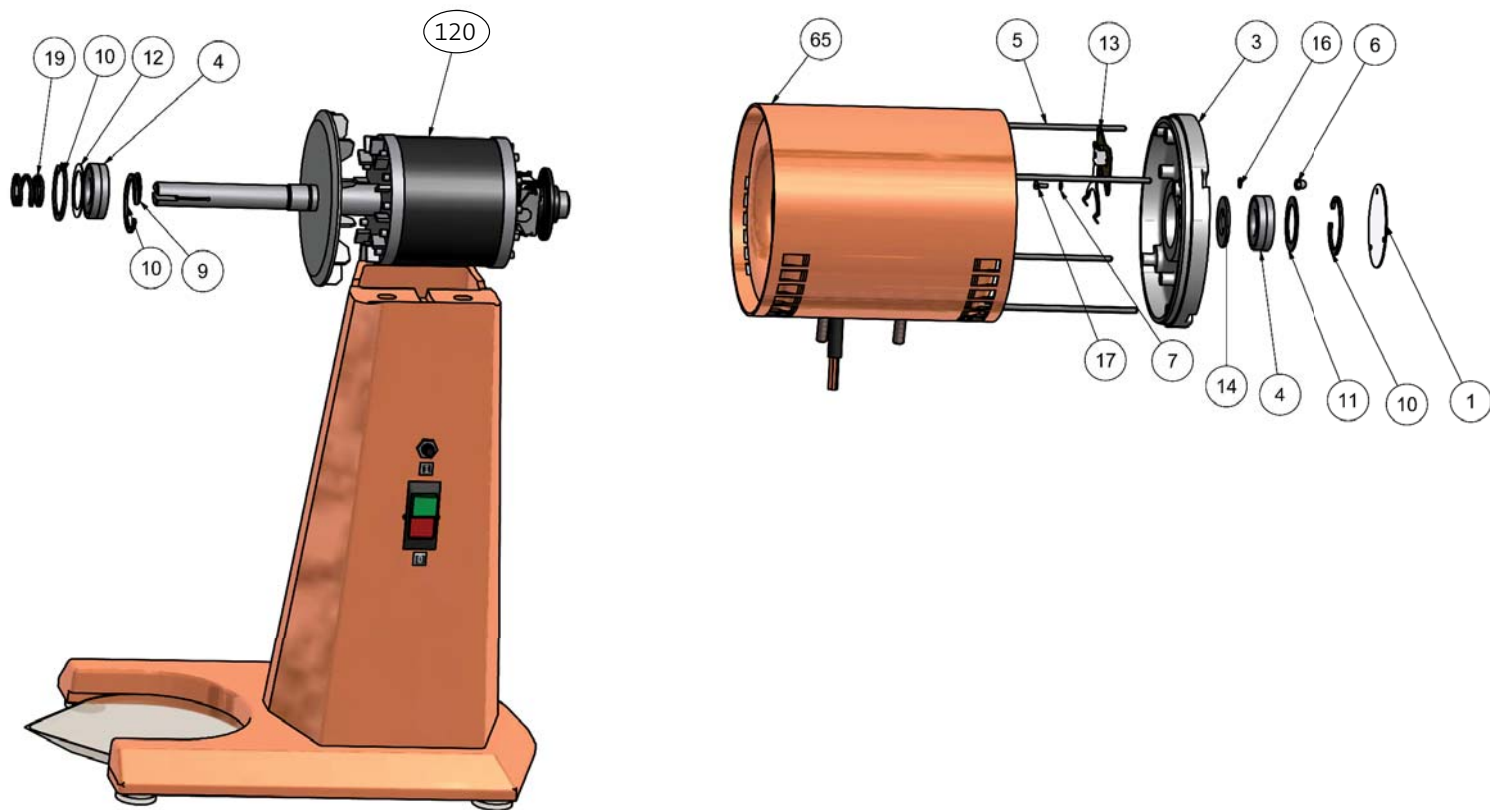
Model: EK 43 115V 60Hz

| ARTICLE NO. | DRAWING NO. | DESCRIPTION |
|-------------|-------------|--|
| 305515 | 16 | Spring washer DIN127 A4 gal Zn |
| 305647 | 18 | Washer DIN125 A4,3 gal Zn |
| 302008 | 19 | pressure spring efv.IV 2,5/24,5x18/3,5 Win. |
| 300172 | 29 | ground plate model 12 05 14 B |
| 301512 | 31 | Fillister head screw M4 x 12 DIN7985 4.8 zn. |
| 305648 | 32 | Washer DIN125 A5,3 gal Zn |
| 302763 | 33 | foot. Plastic |
| 305398 | 34 | „label“ pull power |
| 305615 | 47 | cylinder screw DIN84 M4x16 4.8 gal Zn |
| 302079 | 48 | ground cord 1,00 BetaTherm green/yellow (UL) |
| 300486 | 49 | tray (tinted glass color) |



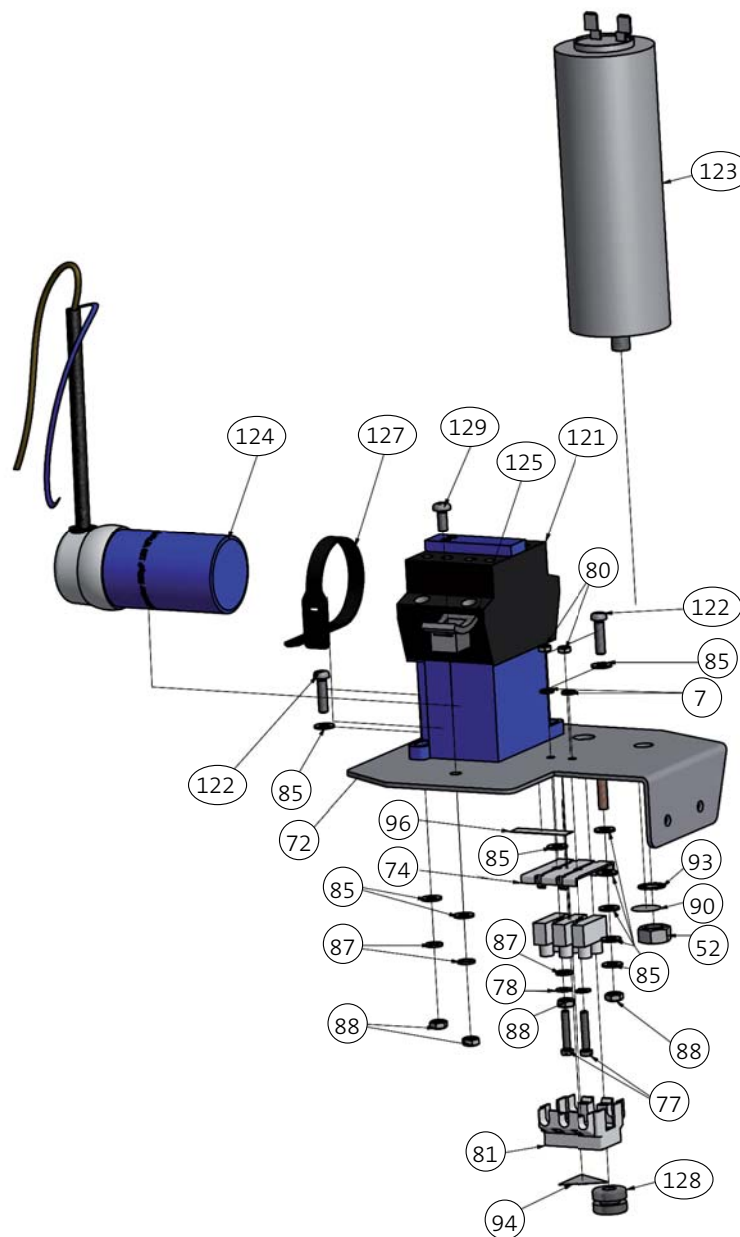
Model: EK 43 115V 60Hz

| ARTICLE NO. | DRAWING NO. | DESCRIPTION |
|-------------|-------------|---|
| 300685 | 1 | cover |
| 300220 | 3 | bearing plate K43 painted |
| 301016 | 4 | deep groove ball bearing 6004-ZZ |
| 301515 | 5 | bolt BM4 x 220 DIN976 4.6 |
| 301519 | 6 | head nut M4, zn. M4 - DIN 1587 6 AU VZ |
| 301602 | 7 | lock washer DIN127 A3 gal Zn |
| 301691 | 9 | retaining ring A 20 L |
| 301754 | 10 | retaining ring I42 x 1,75 DIN472A (Seeger) |
| 301725 | 11 | shim ring 25x35x0,5 DIN988B (Seeger) |
| 301762 | 12 | compression spacer 30x41x0,5 DIN??? |
| 302546 | 13 | centrifugal force switch complete Typ 385CP/50H K43/K33 - |
| 302549 | 14 | ball bearing disc 38,8 x 20 x 2mm #für Elnor-270CI |
| 305515 | 16 | Spring washer DIN127 A4 gal Zn |



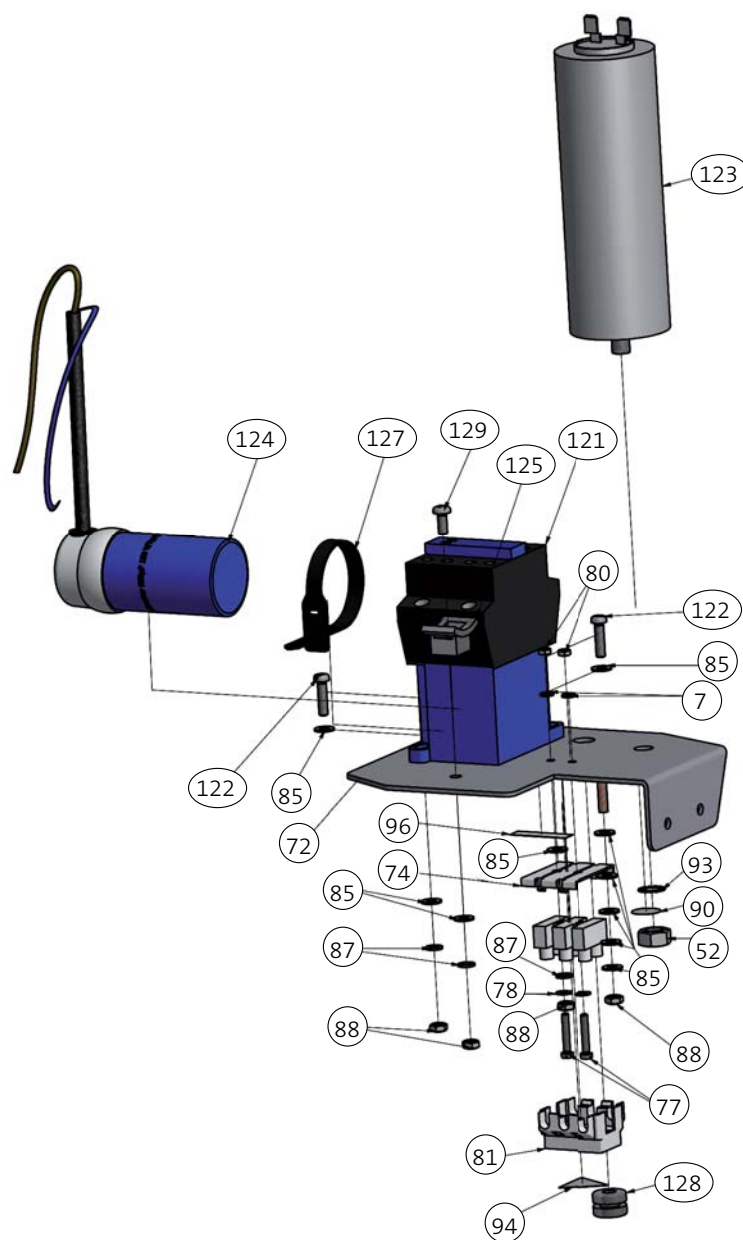
Model: EK 43 115V 60Hz

| ARTICLE NO. | DRAWING NO. | DESCRIPTION |
|-------------|-------------|---|
| 305612 | 17 | cylinder screw DIN84 M3x8 4.8 gal Zn |
| 302008 | 19 | pressure spring efv.IV 2,5/24,5x18/3,5 Win. |
| 302595 | 120 | motor with screw and bolt M 8 385 CP6 AR /Typ K43 115V/60Hz |
| | | |
| | | |
| | | |
| | | |
| | | |
| | | |



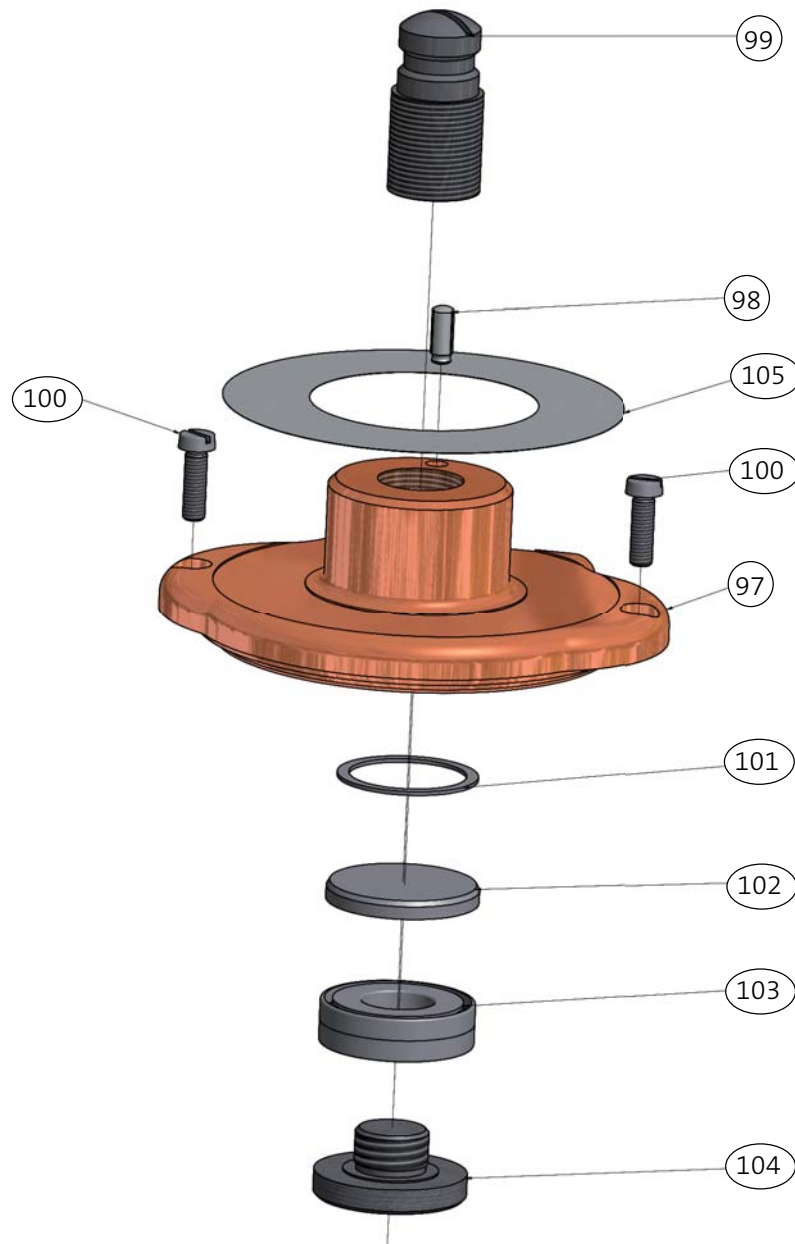
Model: EK 43 115V 60Hz

| ARTICLE NO. | DRAWING NO. | DESCRIPTION |
|-------------|-------------|--|
| 301602 | 7 | lock washer DIN127 A3 gal Zn |
| 301658 | 52 | hexagon thin nut DIN934 M8 - 8 - VZ |
| 303829 | 72 | mounting plate K43 |
| 302497 | 74 | base plate B 323/03 Id.-Nr. 200033 #(for Klemmleis |
| 301277 | 77 | cylinder screw M3 x 18 DIN84 #4.8 zn |
| 305644 | 78 | washer DIN125 A3,2 gal Zn |
| 305541 | 80 | nut 6kt EN24 032 (DIN934) M3 6 gal Zn |
| 302498 | 81 | cover cap A 323/03 Id.-Nr. 200034 for Klemmleis |
| 305647 | 85 | Washer DIN125 A4,3 gal Zn |
| 305515 | 87 | Spring washer DIN127 A4 gal Zn |
| 305542 | 88 | nut 6kt EN24 032 (DIN934) M4 6 gal Zn |
| 301825 | 90 | ground label Nr. 015.321 #dry pic D=12" |
| 307033 | 93 | serrated lock washer M8 DIN 6798A zinc-plated |



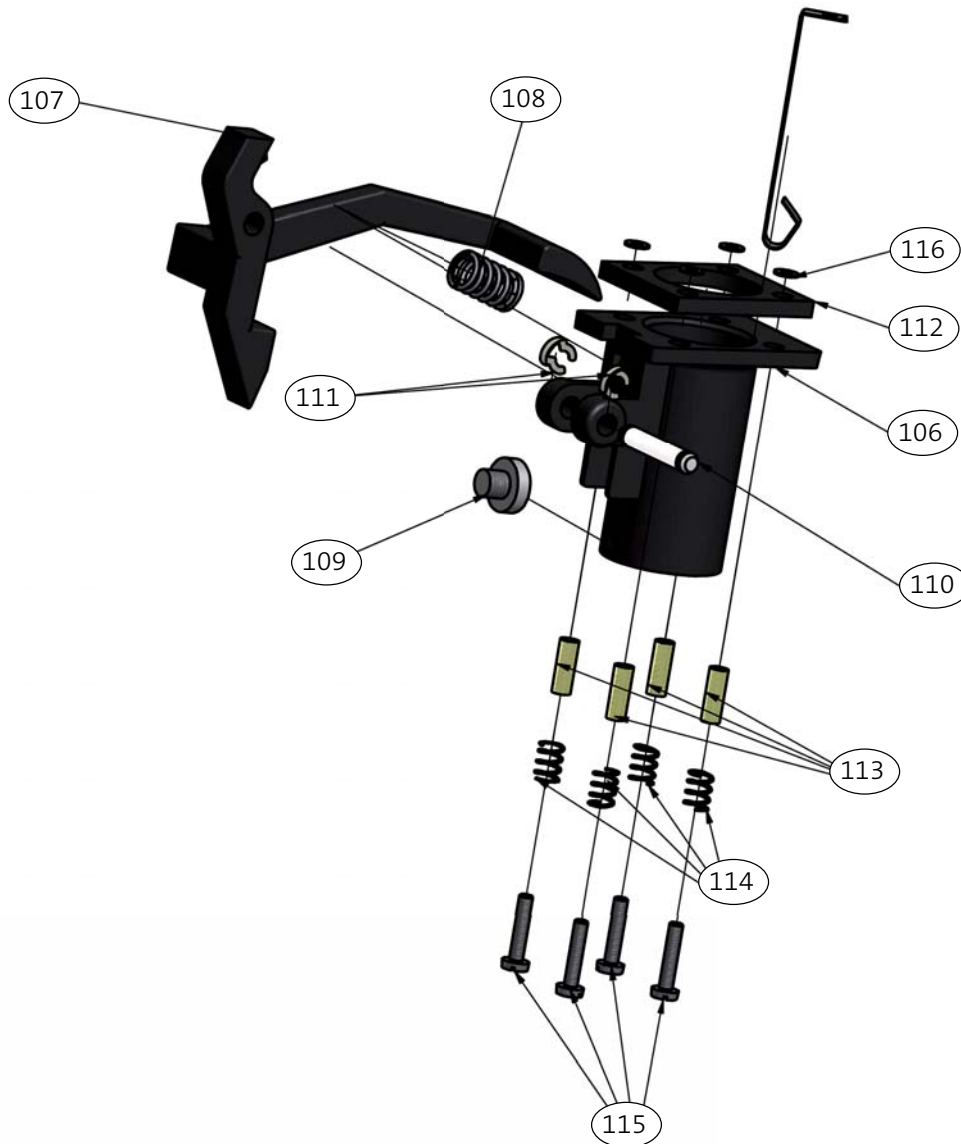
Model: EK 43 115V 60Hz

| ARTICLE NO. | DRAWING NO. | DESCRIPTION |
|-------------|-------------|---|
| 301900 | 94 | electrical security label 23,7 x 20,5 mm dry-transfer |
| 301966 | 96 | marking lable PE N L1 |
| 302390 | 121 | Contacteur 110-115V - 60 Hz |
| 301414 | 122 | Flat head screw M4 x 16 DIN85 #4.8 zn |
| 302320 | 123 | Running capacitor 50 μ F |
| 302205 | 124 | Starting capacitor 550 μ F |
| 302796 | 125 | fixing dip only for USA |
| 302466 | 126 | terminal strip-PA 323/ HDS/03, 3-pol. |
| 302795 | 127 | strap SRT260-7, black Fabr. Hellerm |
| 302777 | 128 | rubber funnel H V 1210 PVC 6/9/15-2 |
| 301629 | 129 | oval head screw M4 x 10 DIN7985 4.8 zn. |



Model: EK 43 115V 60Hz

| ARTICLE NO. | DRAWING NO. | DESCRIPTION |
|-------------|-------------|---|
| 300224 | 97 | grinding housing lid 43 coffee-poppy seed & linseed |
| 301247 | 98 | notched pin 6 x 16 DIN1470 9SMnPb28K, |
| 300950 | 99 | grind adjustment spindle K33 (Niro) #M25x 0,7 |
| 305621 | 100 | cylinder screw DIN84 M6x20 4.8 gal Zn |
| 301758 | 101 | washer St.2K, |
| 300945 | 102 | thrust washer 9S20K 37,5 x 41,5 x 5mm |
| 301016 | 103 | deep groove ball bearing 6004-ZZ |
| 300949 | 104 | ball bearing seat K33 9S20K blk. 41,5x19m D=41,5x19 |
| 301948 | 105 | Skalenschild Grob-Fein Folie 109 x 0,1mm |



Model: EK 43 115V 60Hz

| ARTICLE NO. | DRAWING NO. | DESCRIPTION |
|-------------|-------------|---|
| 300278 | 106 | spout |
| 300280 | 107 | handle #Ultramid PA black #(B3K/4 |
| 302008 | 108 | pressure spring efv.IV 2,5/24,5x18/3,5 Win. |
| 302741 | 109 | Rubber buffer, black |
| 300915 | 110 | cylinder pin #8h11x45mm,mit2 Nuten #beidseitig ge |
| 301190 | 111 | Fuse |
| 302803 | 112 | outfeed stuffing, black #60x52/4+1,0 D |
| 300880 | 113 | Bush 20mm |
| 301988 | 114 | spiral spring 9,5x13,0 #Federst. Kl.II |
| 305583 | 115 | Flat head screw DIN85 M5x25 4.8 gal Zn |
| 305647 | 116 | Washer DIN125 A4,3 gal Zn |

Changes In The Spare Parts List:

| VERSION NO. | ARTICLE NO. | DRAWING | | DESCRIPTION | COMMENT |
|-------------|-------------|---------|--|--|---|
| | | NO. | | | |
| 1.2 | 100690 | 67 | | Hopper adapter EK43 compl. for K30 hopper | Available as a set only |
| 1.2 | 309559 | 69 | | Hopper K30 Mahlkönig compl. with lid | Available as a set only (hopper + lid) |
| 1.2 | 300278 | 106 | | Spout | Spout only |
| 1.3 | 303931 | 24 | | Grinding disc set EK43 / EKK43 coffee & spices | Set with both discs and screws |
| 1.4 | 101735 | (69) | | Hopper MAHLKÖNIG-logo complete with lid coated black matt | new in spare parts list |
| 1.4 | 302320 | 123 | | Running capacitor 50µF | new in spare parts list |
| 1.4 | 302205 | 124 | | Starting capacitor 550µF | new article number |