



The secret to consistent milk foam

Latte Art Factory (LAF) is an automatic milk frother, for cafés looking to provide high-quality beverages to their customers, faster.

The LAF's patented technology promises consistency with all kinds of milk (and even nitro cold brew!), at any temperature and texture. It's an absolute game-changer for cafes.

Product details

LAF Bar

Designed for cafés with limited countertop space, the new LAF Bar is guaranteed to impress. The modem and refrigerator get tucked away under the counter.



LAF Bar

Countertop Module

Technical specifications	Dimensions	210mm x 600mm x 325mm
	Weight	8.0kg
	Power	1st: 220 V-240V, 50/60Hz, Max: 2300W 10A Avg: 2000W 8.5A 2nd: 220V-240V, 50/60Hz, 0,6A
	Water Supply	> 0.25 Mpa < 0.8MPa
	Water drainage	yes
	Package dimensions	390mm x 280mm x 655 mm

LAF Bar

Undercounter Unit (Milk + Refrigerator Module)

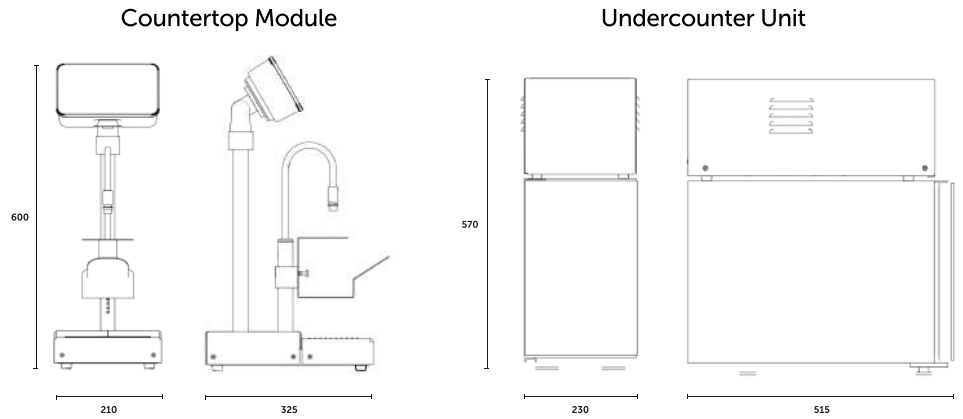
Technical specifications	Dimensions	230mm x 570mm x 515mm
	Weight	24.5kg
	Power	1st: 220 V-240V, 50/60Hz, Max: 2300W 10A Avg: 2000W 8.5A 2nd: 220V-240V, 50/60Hz, 0,6A
	Water Supply	> 0.25 Mpa < 0.8MPa
	Water drainage	yes
	Package dimensions	390mm x 280mm x 655 mm

LAF Bar Pro

Undercounter Unit (Milk + Refrigerator Module)

Technical specifications	Dimensions	230mm x 570mm x 515mm
	Weight	25.8kg
	Power	1st: 220 V-240V, 50/60Hz, Max: 3600W 16A Avg: 2250W 11A 2nd: 220V-240V, 50/60Hz, 0,6A
	Water Supply	> 0.25 Mpa < 0.8MPa
	Water drainage	yes
	Package dimensions	390mm x 280mm x 655 mm

LAF Bar



Awards

The LAF Bar won the prestigious Best New Product Award by the Specialty Coffee Association for a third time. No other product has achieved this before.



Fridge Setups



Standard 4 liter fridge setup



Add a second 4 liter fridge to accommodate 2 milks or higher volumes.