

EVERPURE® COLDRINK®/INSURICE® TRIPLE MANIFOLD WITH 20" PREFILTER

FOR USE WITH EVERPURE QUICK-CHANGE CARTRIDGES

Coldrink/Insurice Triple Manifold with 20" Prefilter: EV9293-23
 EC210 Replacement Cartridge: EV9534-26 (6 PK)



APPLICATIONS

Fountain	Tea
Ice	Whole Store
Coffee	

FEATURES • BENEFITS

Commercial-grade filter head for Everpure filter cartridges

Includes mounting box bracket and screws for fast and easy installation. No extra mounting plate is required

Modular design of box bracket allows for future retrofitting of add-on components without disassembly of system

Optional built-in water shut-off valve and flushing valve makes cartridge change-outs easy

Cartridge nesting feature provides a more secure, durable fit

Built-in water pressure gauge helps monitor proper flow

Engineered for durability, strength and longevity; will not corrode

Includes Everpure EC210 pre-filter cartridge

All wetted parts have successfully passed NSF® extraction tests

INSTALLATION TIPS

Mounts directly onto flat surface. Install vertically so cartridge hangs down.

Allow 2½" (6.4 cm) clearance below the cartridge for easy cartridge replacement.

Flush filter by running water through filter according to cartridge instructions.

Refer to Installation, Operation & Maintenance Manual for cartridge flushing and startup.

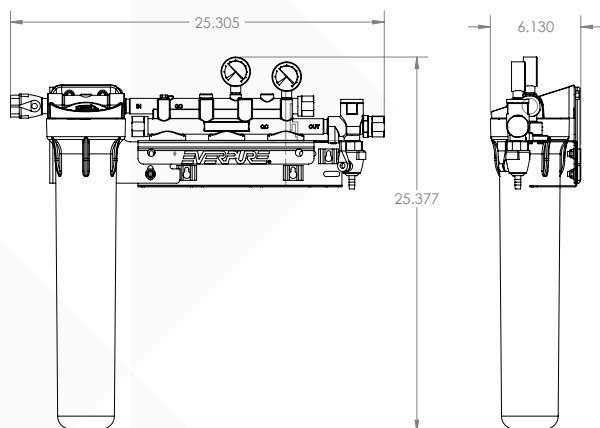
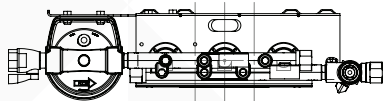
OPERATION TIPS

Change cartridges on a regular six (6) month preventative maintenance program.

Change cartridges when capacity is reached or when pressure decreases.

EVERPURE® COLDRINK®/INSURICE® TRIPLE MANIFOLD WITH 20" PREFILTER

EV9293-23



The contaminants or other substances removed or reduced by this drinking water system are not necessarily in your water. Do not use with water that is microbiologically unsafe or of unknown quality without adequate disinfection before or after the system.

SPECIFICATIONS

Overall Dimensions

25.31" W x 25.38" H x 6.13" D
(64.27 cm x 64.46 cm x 15.57 cm)

Electrical Connection

None required

WARRANTY

Everpure water treatment systems by Pentair® (excluding replaceable elements) are covered by a limited warranty against defects in material and workmanship for a period of five years after date of purchase. Everpure replaceable elements (filter cartridges and water treatment cartridges) are covered by a limited warranty against defects in material and workmanship for a period of one year after date of purchase. See printed warranty for details. Pentair will provide a copy of the warranty upon request.



WATER QUALITY SYSTEMS

EVERPURE-SHURFLO WORLD HEADQUARTERS, 1040 MUIRFIELD DRIVE, HANOVER PARK, IL 60133 USA • FOODSERVICE.PENTAIR.COM
800.942.1153 (US ONLY) • 630.307.3000 MAIN • 630.307.3030 FAX • CSEVERPURE@PENTAIR.COM EMAIL

EVERPURE-SHURFLO AUSTRALIA, 1-21 MONASH DRIVE, DANDENONG SOUTH, VIC 3175 AUSTRALIA
011.1300 576 190 TEL • 011.61.39.562.7237 FAX • AU.EVERPURE@PENTAIR.COM EMAIL

EVERPURE-SHURFLO CHINA, 21F CLOUD 9 PLAZA, NO 1118, SHANGHAI, 200052, CHINA
86.21.3211.4588 TEL • 86.21.3211.4580 FAX • CHINA.WATER@PENTAIR.COM EMAIL

EVERPURE-SHURFLO INDIA, GREEN BOULEVARD, B-9/A, 7TH FLOOR - TOWER B SECTOR 62, NOIDA - 201301
91.120.419.9444 TEL • 91.120.419.9400 FAX • INDIACUSTOMER@PENTAIR.COM EMAIL

EVERPURE-SHURFLO EUROPE, PENTAIR WATER BELGIUM BVBA, INDUSTRIEPARK WOLFSTEE, TOEKOMSTLAAN 30, B-2200 HERENTALS, BELGIUM
+32.(0).14.283.504 TEL • +32.(0).14.283.505 FAX • SALES@EVERPURE-EUROPE.COM EMAIL

EVERPURE-SHURFLO JAPAN INC., HASHIMOTO MN BLDG. 7F, 3-25-1 HASHIMOTO, MIDORI-KU, SAGAMIHARA-SHI KANAGAWA 252-0143, JAPAN
81.(0)42.775.3011 TEL • 81.(0)42.775.3015 FAX • INFO@EVERPURE.CO.JP EMAIL

EVERPURE-SHURFLO SOUTHEAST ASIA, 390 HAVELOCK ROAD, #04-01 KING'S CENTRE, SINGAPORE 169662
65.6768.5800 TEL • 65.6737.5149 FAX • CSEVERPURE@PENTAIR.COM EMAIL

All Pentair trademarks and logos are owned by Pentair, Inc. or its affiliates. All other registered and unregistered trademarks and logos are the property of their respective owners. Because we are continuously improving our products and services, Pentair reserves the right to change specifications without prior notice. Pentair is an equal opportunity employer.