



G3 5.0 GALLON NARROW HOT WATER DISPENSER WITH AERATION

WB5N – Red Narrow 5.0 Gallon Hot Water Dispenser with Faucet Height of 18.63”
WB5NL – Red Narrow 5.0 Gallon Hot Water Dispenser with Faucet Height of 14.00”
WB5NB – Black Narrow 5.0 Gallon Hot Water Dispenser with Faucet Height of 18.63”
WB5NLB – Black Narrow 5.0 Gallon Hot Water Dispenser with Faucet Height of 14.00”



WB5N
Faucet Height -18.63”



WB5NL
Faucet Height -14.00”



WB5NB
Faucet Height -18.63”



WB5NLB
Faucet Height -14.00”

ITEM NO

PROJECT

DATE

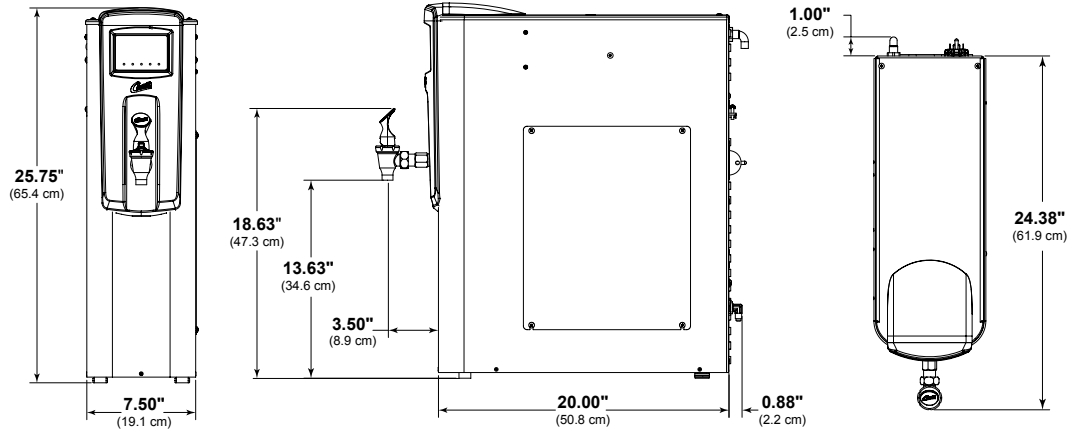
The Curtis G3 Hot Water Dispenser – Perfect for tea, soup, freeze-dried products, cleaning jobs and more.

With the latest in digital technology, these hot water dispensers offer precise control over all critical functions. Curtis’ digital Hot Water Dispensers deliver large volumes of piping hot water right at the preparation site. They are constructed of heavy gauge stainless steel and feature thermostatic controls and solid-state automatic refill systems.

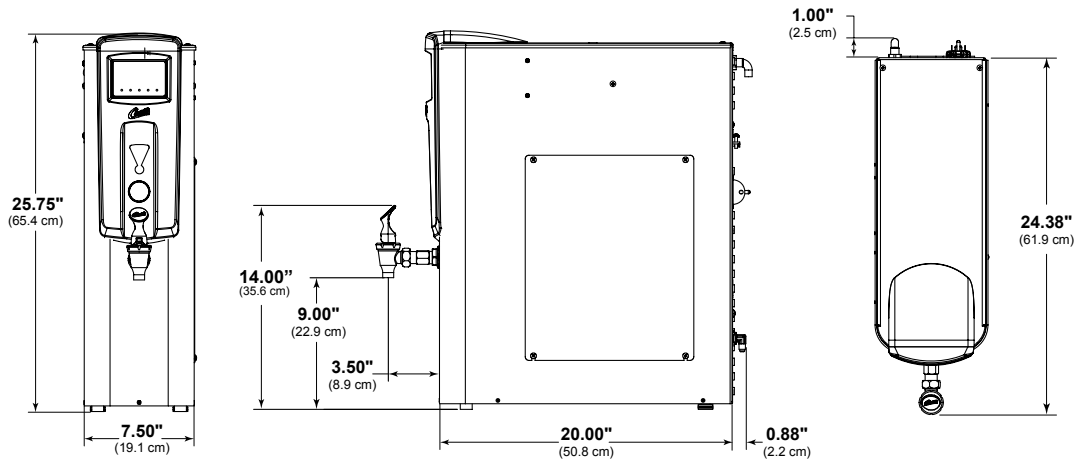
FEATURES AT A GLANCE

- **G3 Digital Control Module** – Provides precise control of temperature and aeration.
- **Large LED Display** – Easy to read, displays constant water temperature in the heating tank.
- **Easy-To-Operate** – Simple graphic design for all operating functions and ready lights.
- **Energy Saving Mode** – 4 hours after last dispense, tank will maintain temperature of 140°F. (Optional)
- **Aeration** – Factory pre-set to automatically come on every 30 minutes for 5 seconds. The aeration setting pumps air (oxygen) through the water in the heating tank to help improve overall water quality.
- **Agitation Pump** – Continuous or on demand aeration improves tea extraction and food flavor.
- **Automatic Refill System** – For consistent, hot water on demand.
- **Thermostatic Controls** – Programmable temperature range of 140°F to 210°F.
- **On Board Diagnostics** – Continuously senses water level & temperature for proper operation.
- **Common Parts and Side Access** – Creates an easy to service unit.
- **Standard 120/220VAC Dual Voltage Operation.**
- **Large LED Display** - 140°F to 210°F. Choose to display tank temperature or simply “HOT”.

WB5N / WB5NB
Faucet Height: 18.63"



WB5NL / WB5NLB
Faucet Height: 14.00"



DISPENSER SPECIFICATIONS

MODEL	DIMENSIONS (H x W x D)	VOLTAGE (V)	PHASE	AMPS (A)	WATTS (W)	HERTZ (Hz)	WIRE	MINIMUM FLOW RATE	WATER SUPPLY	WATER CONNECTION	GALLONS/ HOUR	SHIP WEIGHT	CUBE (CU. FT.)
WB5N / WB5NB	25.75" x 7.50" x 24.38"	120/220	1	12.5/22.7	1500/5000	50/60	2W/3W + G	1.0 GPM	20-90 PSI	1/4" Flare	4.5/15.0	42.5 LBS.	8.44
WB5NL / WB5NLB	25.75" x 7.50" x 24.38"	120/220	1	12.5/22.7	1500/5000	50/60	2W/3W + G	1.0 GPM	20-90 PSI	1/4" Flare	4.5/15.0	42.5 LBS.	8.44

SPECIFICATIONS SUBJECT TO CHANGE WITHOUT NOTICE



WILBUR CURTIS CO., INC.
6913 Acco Street, Montebello, CA 90640-5403
Telephone: 800-421-6150 · 323-837-2300
Fax: 323-837-2406
www.wilburcurtis.com