



GET ON THE TRACK WITH

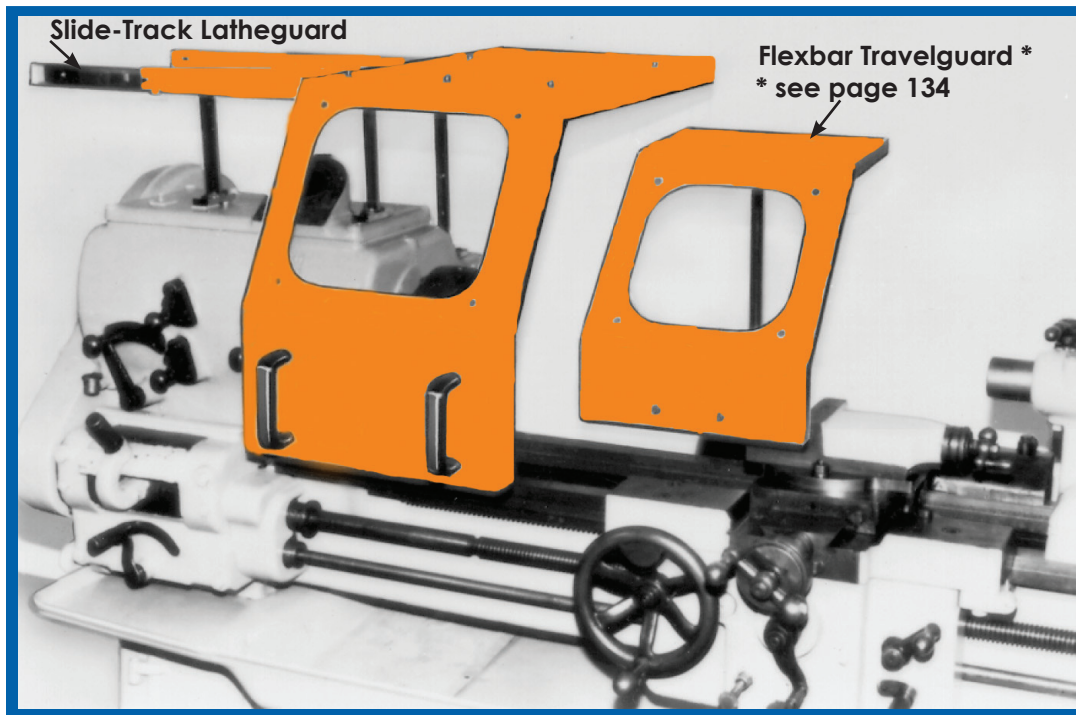
# SLIDE-TRACK LATHEGUARD™

(Sliding Lathe Shields)



**HEAVY-DUTY 14 GAUGE STEEL SHIELDS WITH LEXAN® WINDOWS MOUNT OVER HEADSTOCK AND SLIDE OVER CHUCK FOR MAXIMUM PROTECTION! ALLOWS EASY ACCESS TO THE POINT OF OPERATION WHEN POWER IS OFF.**

FITS CONVENTIONAL LATHES AND CNC MACHINES  
TWO STYLES AVAILABLE: "MINOR" AND "MAJOR"



Above: "MAJOR" SLIDE-TRACK LATHEGUARD (left)  
with FLEXBAR TRAVELGUARD (right - See Page 134)

- The "Minor" Slide-Track Latheguard features two (2)  $\frac{3}{16}$ " thick LEXAN® windows. Being situated on the top and front inclined panels, these windows provide excellent visibility for the operator. The front panel hinges up to allow access to the controls and settings of the machine - The "Minor" is designed to guard lathes having chucks ranging from 10" diameter up to 24" diameters. **(Model No. 13079 & 13080)**
- The "Major" Slide-Track Latheguard provides maximum operator protection on standard machines or large CNC lathes with chucks ranging up to 48" diameter. These guards incorporate one LEXAN® front panel window and do not require a top window. **(Model No. 13081-13084)**

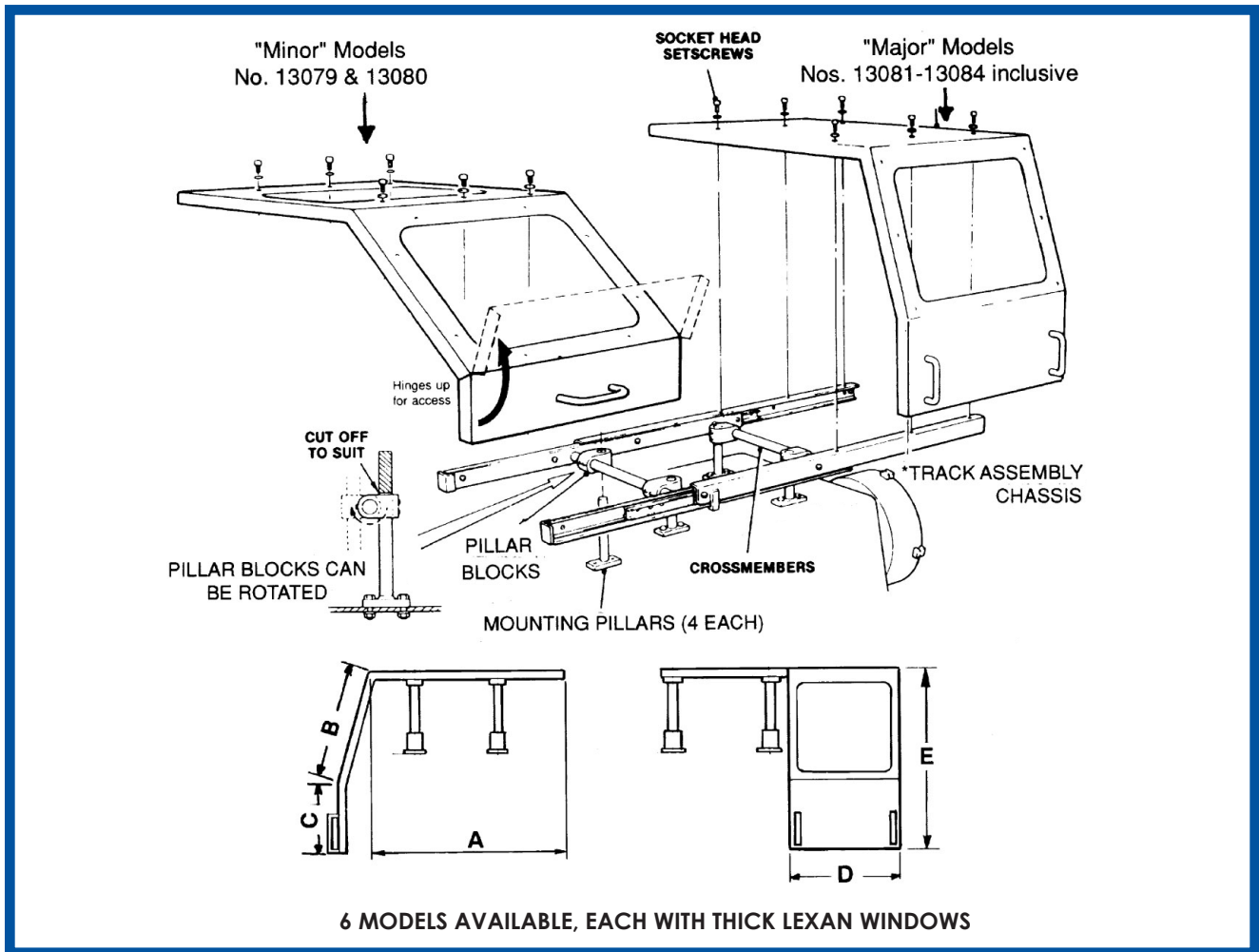
**SHIELDS SUPPLIED WITH OSHA ORANGE BAKED ENAMEL PAINTED  
FINISH FOR LONG WEAR**



# SLIDE-TRACK LATHEGUARD™

## SPECIFICATIONS AND ORDERING:

You can now install a professional heavy-duty guard on any size lathe. Simply screw the 4 pillar posts supplied at 4 sites around the headstock and then slip on the track assembly chassis. Now mount the shield. Pillar posts, in relation to crossmembers are adjustable vertically hence easily positioned around the headstock without interference. All hardware is included with easy-to-follow instructions.



MODEL NO.	CHUCK CAPACITY	DIMENSIONS				
		A	B	C	D	E
13079	24"	17"	19"	6"	14"	17.75"
13080	24"	17"	19"	6"	24"	17.75"
13081	28"	26"	14.88"	8.24"	19.75"	21.10"
13082	32"	27.19"	16.50"	8.71"	19.75"	23.00"
13083	40"	29.56"	19.75"	9.81"	19.75"	26.90"
13084	48"	33.88"	23.00"	10.85"	19.75"	30.75"

(\*SUPPLIED COMPLETELY ASSEMBLED) REPLACEMENT WINDOWS AND PARTS SUPPLIED UPON REQUEST