



DIGI-MET® DEPTH GAGES

Resolution: .0005"/.01mm.

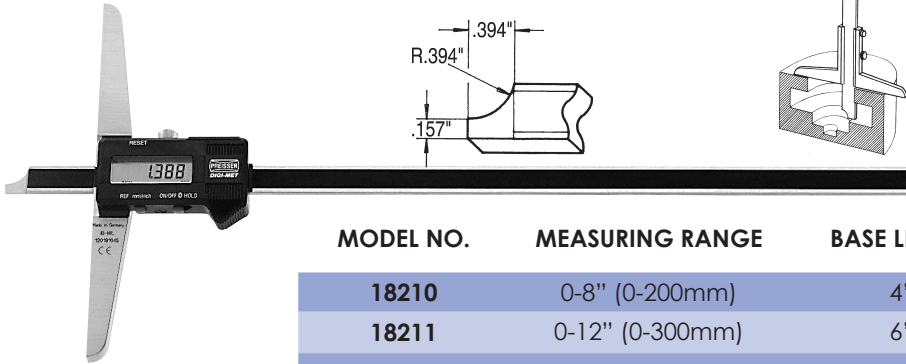
Repeatability: 1 digit 10µm/.0005".

Precision made of stainless steel -
measuring surfaces hardened and lapped.
All gages feature DIGI-MET Features.



FREE
INCLUDES
CERTIFICATE
OF CALIBRATION
TRACEABLE TO N.I.S.T.

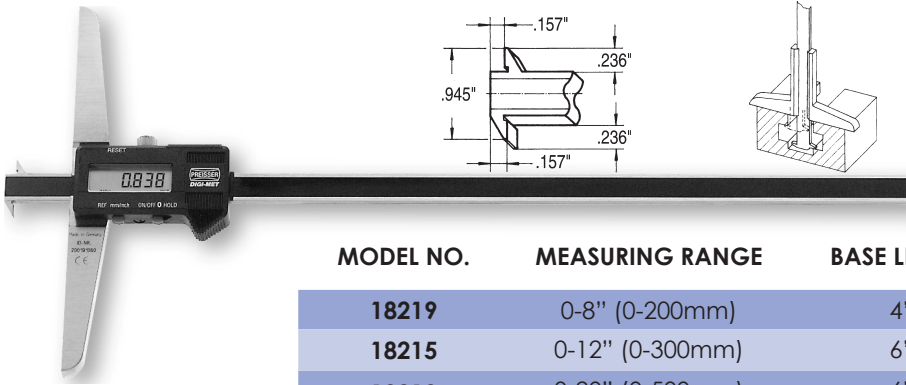
1. Straight Beam Style



MODEL NO.	MEASURING RANGE	BASE LENGTH	CROSS SECTION OF BEAM (mm)
18210	0-8" (0-200mm)	4"	12 x 4
18211	0-12" (0-300mm)	6"	12 x 4
18212	0-20" (0-500mm)	6"	12 x 4

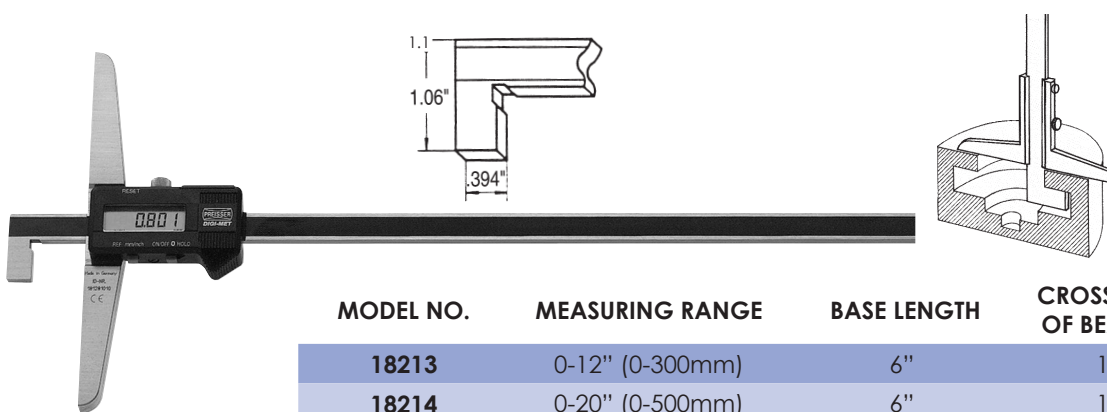
ALL DEPTH GAGE MODELS INCLUDE DELUXE WOODEN CASE
Digi-Met Accessories.

2. Offset Style, for groove measurements



MODEL NO.	MEASURING RANGE	BASE LENGTH	CROSS SECTION OF BEAM (mm)
18219	0-8" (0-200mm)	4"	12 x 4
18215	0-12" (0-300mm)	6"	12 x 4
18218	0-20" (0-500mm)	6"	12 x 4

3. Leg Style, for groove measurements



MODEL NO.	MEASURING RANGE	BASE LENGTH	CROSS SECTION OF BEAM (mm)
18213	0-12" (0-300mm)	6"	12 x 4
18214	0-20" (0-500mm)	6"	12 x 4

LONGER MEASURING RANGE MODELS AVAILABLE UPON REQUEST.
PHONE OR FAX FOR PRICING AND AVAILABILITY.