

Exclusive North American Agent

Precision Swiss Made

STRATO LINE & CLASSIC LINE 3D ARTICULATED GAGING ARMS Universal Positioning - Highest Stability

FISSO articulated arms can be positioned in any way desired both easily and precisely. All three arm sections can be fixed and moved with the central tightening knob.

The quick lock ensures a high degree of comfort for the user. A short twist is all that is required to operate the infinitely adjustable clamping system. As a result, work is speeded up and made more efficient.

Main System Features:

- **Powerful and permanent clamping**

The friction clamp is based on an infinitely adjustable and purely mechanical clamping system. Its precisely fitting ball-and-socket joint produces a high degree of static friction which ensures maximum stability. The pre-tension prevents the arm from collapsing unexpectedly, which protects sensitive measuring instruments from damage.

- **Precise microfne adjustment**

Made of high-quality steel, the zero-play fine adjustment ensures precise positioning of the gauging instrument and a high degree of measuring precision and repeatable accuracy. Combined holder for dial gauges and electronic length probes with shaft diameters of 8mm (or 5/16") and gauges with dovetails.

- **Cleverly designed central tightening system**

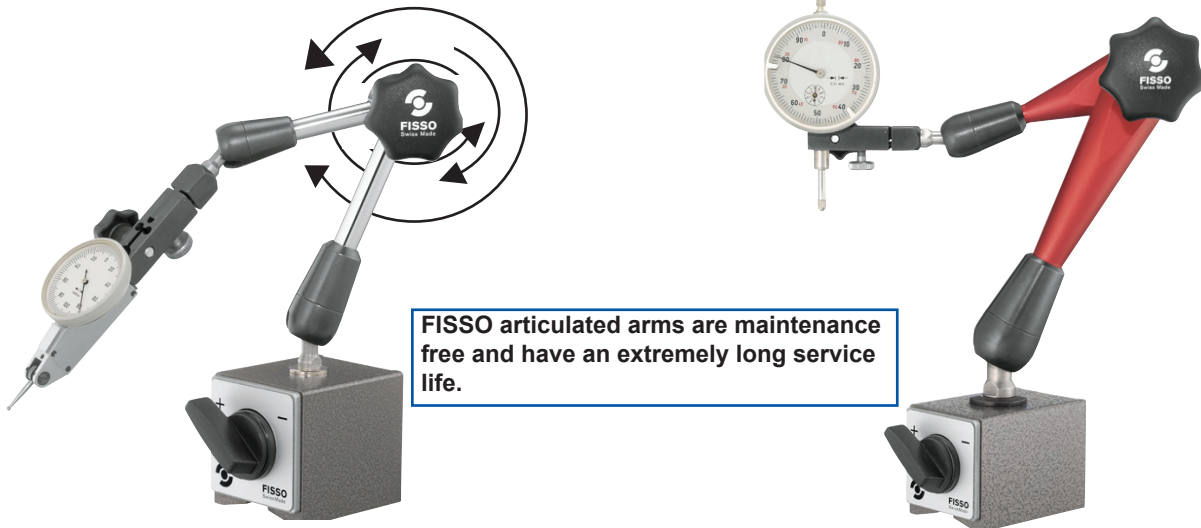
Three joints can be fixed and moved in five different directions with a single touch. The purely mechanical and infinitely adjustable central tightening system with the quick lock offers the greatest possible ease of operation.

- **Stability**

The precisely fitting in the ball-and-socket joint produces a great deal of static friction. Generously dimensioned components provide the desired stability.

- **Secure, stable bases**

A safe, stable base provides the essential foundation for precise measurements. The articulated arms can be mounted as desired, on a strong magnet, vacuum or a granite sliding base.

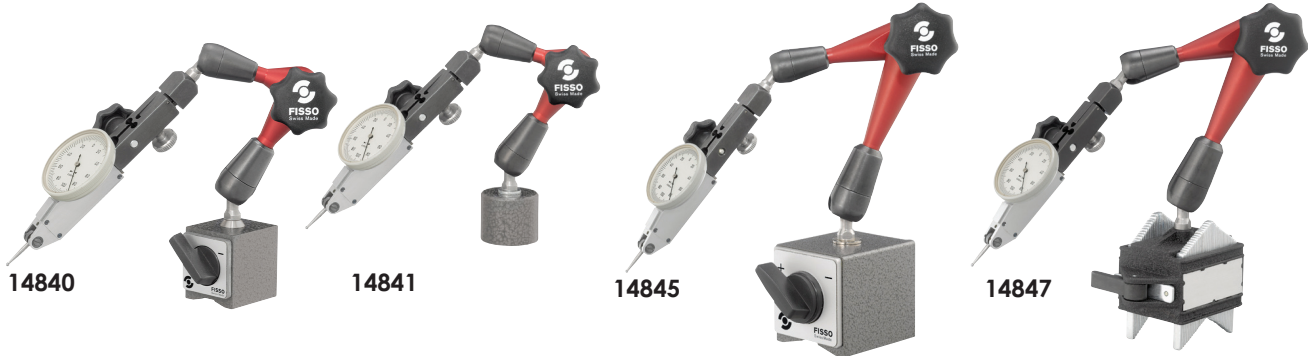


The Classic line contains proven products with chrome-plated arm sections. The articulated arms themselves are available in four different sizes, with radiuses of movement of 200, 280, 420 or 620mm. As desired, they can be mounted on magnetic or vacuum bases.

The Strato line is a modern series with red anodized arm sections made of a high-quality light metal alloy. The arms are available in three sizes with radiuses of movement of 130, 200 and 280 mm and can be mounted on a magnetic, vacuum or granite sliding base.

STRATO LINE 3D ARTICULATED GAGING ARMS

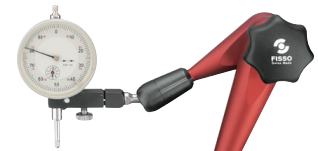
Strato Line 3D articulated arms for gauges, with fine adjustment and base



TYPE	MODEL NO.	APPROX. TOTAL HEIGHT mm/in	APPROX. RADIUS OF MOVEMENT mm/in	BASE TYPE	BASE SIZE (L x W x H)	SWITCHABLE ON/OFF	APPROX. ADHESIVE POWER, LBS.
XS-13 F + S2	14840	215/8.5"	130/5.15"	Switch magnet S2	34 x 30 x 35	Yes	67
XS-13 F + TMS	14841	210/8.3"	130/5.15"	Pot Magnet TMS	Ø 30 x 25	No	38
XS-13 F	14842	185/7.3"	130/5.15"	None	Thread M6	-	-
S-20 F + M	14845	310/12.3"	200/8"	Switch magnet M	60 x 50 x 55	Yes	168
S-20 F + TM	14846	335/13.25"	200/8"	Pot Magnet TM	Ø 40 x 30	No	67
S-20 F + AM	14847	310/12.3"	200/8"	Anyform magnet AM	77 x 48 x 55	No	134
S-20 F + V	14848	285/11.3"	200/8"	Vacuum Base V	Ø 88 x 27	-	-
S-20 F	14849	255/10"	200/8"	None	Thread M8	-	-
M-28 F + M	18416	390/15.4"	280/11"	Switch Magnet M	60 x 50 x 55	Yes	168
M-28 F + V	18415	365/14.4"	280/11"	Vacuum Base V	Ø 88 x 27	Yes	-
M-28 F	18417	335/13.25"	280/11"	None	Thread M8	-	-
M-28 F + G	14827	385/15.2"	280/11"	Granite Sliding Base G	150 x 120 x 50	No	-
M-28 F + SM	14828	390/15.4"	280/11"	Switch Magnet SM	75 x 50 x 55	Yes	202

US standard; micro adjustment with a seat diameter of 3/8" is supplied unless 8mm is specified

- Classic & Strato models, designed for use with probes, dial and test indicators mounted on machine tools, in measuring devices and when space is at a premium.
- The medium-sized Classic & Strato models, for probes and dial gauges, can be used in all manufacturing areas.
- The largest Classic & Strato models, with infinitely adjustable pre-tension to protect the gauging equipment.



14827



14827



18415

18416

Strato Line Articulated Arms Only (w/o fine adjuster or base)

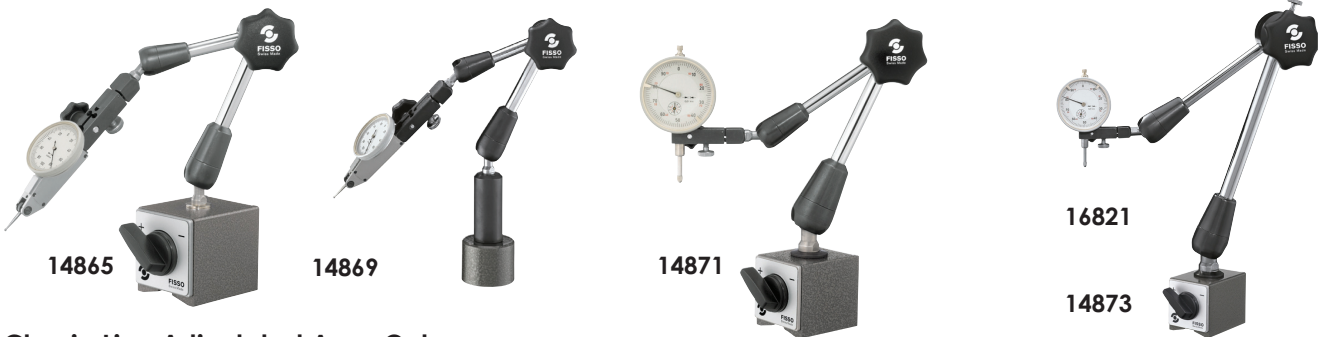
TYPE	MODEL NO.	APPROX. RADIUS OF MOVEMENT mm/in	APPROX. CARRYING CAPACITY Lbs.
XS-13	14830	130/5.15"	6
S-20	14831	200/8"	9
M-28	14832	280/11"	15

CLASSIC LINE 3D ARTICULATED GAGING ARMS

Classic Line 3D articulated arms for gauges, with fine adjustment and base

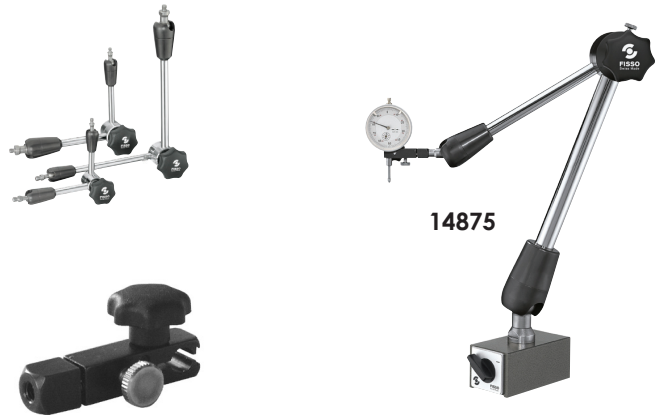
TYPE	MODEL NO.	APPROX. TOTAL HEIGHT mm/in	APPROX. RADIUS OF MOVEMENT mm/in	BASE TYPE	BASE SIZE (L x W x H)	SWITCHABLE ON/OFF	APPROX. ADHESIVE POWER, LBS.
2200-20 F + M	14865	310/12.3"	200/8"	Switch magnet M	60 x 50 x 55	Yes	168
2200-20 F + V	14866	285/11.3"	200/8"	Vacuum Base V	Ø 88 x 27	Yes	-
2200-20 F	14867	255/10"	200/8"	None	Thread M8	-	-
2200-20 F + AM	14868	310/12.3"	200/8"	Anyform magnet AM	77 x 48 x 55	No	134
2200-20 F + TM	14869	335/13.25"	200/8"	Pot Magnet TM	Ø 40 x 30	No	67
3300-28 F + M	16820	390/15.4"	280/11"	Switch magnet M	60 x 50 x 55	Yes	168
3300-28 F + V	14870	365/14.4"	280/11"	Vacuum Base V	Ø 88 x 27	Yes	-
3300-28 F	16822	335/13.25"	280/11"	None	Thread M8	-	-
3300-28 F + SM	14871	390/15.4"	280/11"	Switch Magnet SM	75 x 50 x 55	Yes	202
4900-42 F + SM	16821	530/21"	420/16.6"	Switch Magnet SM	75 x 50 x 55	Yes	202
4900-42 F	16823	475/19"	420/16.6"	None	Thread M8	-	-
4900-42 F + MM	14873	550/22"	420/16.6"	Switch Magnet MM	120 x 60 x 55	Yes	269
5000-62 F + MM	14875	730/28.9"	620/24.5"	Switch Magnet MM	120 x 60 x 55	Yes	269
5000-62 F	14876	675/27"	620/24.5"	None	M10 x 1.25	-	-

US standard; micro adjustment with a seat diameter of 3/8" is supplied unless 8mm is specified



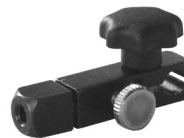
Classic Line Articulated Arms Only (w/o fine adjuster or base)

TYPE	MODEL NO.	APPROX. RADIUS OF MOVEMENT mm/in	APPROX. CARRYING CAPACITY Lbs.
2200-20	14860	200/8"	9
3300-28	14861	280/11"	15
4900-42	14862	420/16.6"	16
5000-62S	14863	620/24.5"	27



Microfine Adjustment Only

TYPE	MODEL NO.	HOLE DIAMETER	DOVETAIL	CONNECTION THREAD
D8, M6	14834	8mm	Yes	M6
D8, M6	14835	8mm	Yes	M8
D3/8", M6	14836	3/8"	Yes	M6
D3/8", M8	14837	3/8"	Yes	M8



Base Only

TYPE	MODEL NO.	DIMEN. L x W x H mm	APPROX. ADHESIVE POWER, LBS.	CONNECTION THREAD
M	10998	60 x 50 x 55	168	M8
SM	14850	75 x 50 x 55	202	M8
MM	14856	120 x 60 x 55	269	M10 x 1.25
TM	14851	Ø40 x 30	67	M8
AM	11018	77 x 48 x 55	134	M8
S2	14853	34 x 30 x 35	67	M6
TMS	14854	Ø30 x 25	38	M6
V	18418	Ø88 x 27	-	M8
G	14855	150 x 120 x 50	-	M8

