



Flexbar Wireless Small Hole Inspection System

- Powered by 30x variable magnification, this innovative device streams high quality live video (at 30fps) to a computer or TV, enabling the user to view and record crystal clear images or videos.

- A versatile, easy to use tool at a very affordable price.

Features:

- Wirelessly captures pictures and videos
- Variable focal magnification: 10x-50x
- Observes and records in real time (30 FPS)
- Transmits within a range up to 20ft
- Built-in snapshot button
- Multi-layered glass lenses
- Rugged industrialized construction

Model No. 12236, Wireless Small Hole Inspection System

Model No. 12237, Optional 90° Viewing Attachment, 7mm Dia.



What's Included:

- Wireless Video Scope with LED lighting
- Small Hole Viewing Attachment (4, 5, & 7mm dia.; 4 of each)
- Wireless Receiver
- Software CD
- Power Charging Adapter with USB Cable
- Velvet Carrying Case
- User Manual on CD

Technical Specifications	
Sensor Resolution	720 x 480
Magnification	Native Optical: 10x - 50x
Lens Assembly	Dual Lenses. 3-Layer Glass, 650nm cutoff
Video	Format: YUY2 Frame Rate: 30 FPS
Video/Image Properties	Color: 360 Level Hue, Saturation, White Balance Exposure: Brightness, Contrast Image: Sharpness, Gamma
Video/Image Files	BMP, JPG, AVI
Lighting	Ultra-Bright LEDs. Fully adjustable brightness
Specula	4, 5, 7mm diameter (4 pieces each included)
Battery	Built-in 850mAh
Wireless Link	4 Independent Channels
Dimensions	13cm x 3.6cm x 4cm
Interface	USB 1.1/2.0 and above
Software	Scalable Window, Zoom, Freeze, Resolution, Rotate, Flip Region of Interest (ROI)
Operating Systems	Windows 10, 8, 7, and Mac OS 10.4 or higher



Unique Products • Innovative Solutions

Flexbar Machine Corporation
 250 Gibbs Road
 Islandia, NY 11749
 631.582.8440 ph
 631.582.8487 fax
 800.879.7575 toll-free
 www.flexbar.com

© 2016 Flexbar Machine Corp., Islandia, NY USA

Flexbar Wireless Borescope Systems



Small Hole Inspection

Innovative Wireless Device

View & Record Crystal Clear Images & Video

Affordably Priced!

Easy to Use

DETAIL INSPECTION OF BORES, SMALL HOLES, AND INTERNAL FEATURES

QUALITY ASSURANCE

INTERNAL SURFACE INSPECTION

FLASH & DEBRIS DETECTION

DEFECT ANALYSIS



Bore Inspection



Unique Products • Innovative Solutions



Model No. 12233
Flexbar Wireless Camera with Borescope coupler.

- System includes:
- Video Camera
 - Software CD
 - USB Receiver
 - AC Charger



Model No. 12232
Flexbar Wireless TV Video Adapter. Using the optional 12232 wireless TV video adapter kit, a standard LCD/LED TV can also be used to display images and videos being streamed from the 12233 wireless camera or the 12236 wireless small hole inspection system



Flexbar Wireless Borescope Camera



wireless solutions for your bore inspection needs

Accepts all "B" Style Borescopes

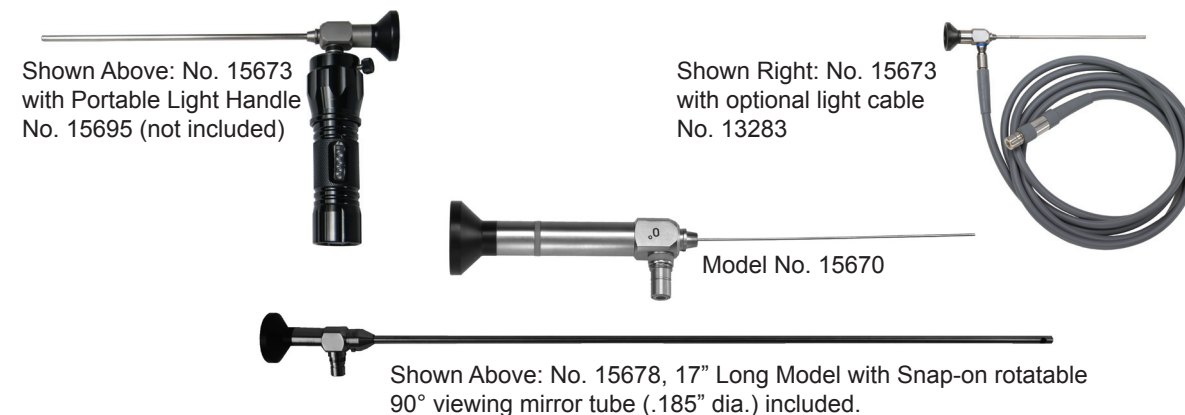
The Flexbar Wireless Borescope Camera is a special purpose digital video camera combined with a built-in universal focusable coupler, designed for various borescope inspection applications. Powered by a rechargeable lithium ion battery, this innovative device streams high quality live video (at 30fps) to a computer, enabling the user to view and record crystal clear images or videos.

With its many uses and applications, the Flexbar Wireless Borescope Camera is a versatile, easy to use tool at a very affordable price.

Technical Specifications	
Resolution	720 x 480
Lens Assembly	Multi-Layered Glass, 650nm cutoff
Video	Format: YUY2 Frame rate 30 FPS
Video/Images Properties	Color: 360 Level hue, saturation, white balance Exposure: Brightness, Contrast Image: Sharpness Gamma
Video/Image Files	BMP, JPG, AVI
Battery	Built-in 850mAh
Wireless Link	4 Independent Channels
Dimensions	11.5cm x 5.5cm x 5.5cm
Interface	USB 1.1/2.0 and above
Software	Scalable Window, Zoom, Freeze, Resolution, Rotate, Flip Region of Interest (ROI), Capture Snapshot and Video
Operating System	Windows 10, 8, 7, and MAC OS 10.4 or higher

Wide Range of Borescopes for Use with Flexbar Wireless Camera System No. 12233

Featuring Superb Quality Optics which provide clear, bright images for any standard industrial application



Shown Above: No. 15673 with Portable Light Handle No. 15695 (not included)

Shown Right: No. 15673 with optional light cable No. 13283

Model No. 15670

Shown Above: No. 15678, 17" Long Model with Snap-on rotatable 90° viewing mirror tube (.185" dia.) included.

Model No.	Diameter	Shaft Length	Viewing Angle	Field of View
15670	1.2mm (.047")	4.75" (120mm)	0°	Standard (45°)
15671	2.7mm (.106")	7" (175mm)	0°	Standard (45°)
15672	3mm (.118")	7" (175mm)	30°	Standard (45°)
15673	4mm (.160")	7" (175mm)	0°	Standard (45°)
15674	4mm (.160")	7" (175mm)	0°	Wide Angle (70°)
15679	4mm (.160")	7" (175mm)	70°	Standard (45°)
15675	4mm (.160")	7" (175mm)	90°	Standard (45°)
15676	4mm (.160")	12" (300mm)	0°	Standard (45°)
15677	4mm (.160")	12" (300mm)	70°	Standard (45°)
*15678	4mm (.160")	17" (425mm)	0° & 90°	Standard (45°)
15683	8mm (.315")	7" (175mm)	70°	Standard (45°)
15684	8mm (.315")	7" (175mm)	90°	Standard (45°)

* Model No. 15678 includes snap-on rotatable 90° viewing mirror tube accessory.

Flexbar OptiView™ Rigid Borescopes

Quality Portable Scopes at Affordable Prices. Available in 7" & 17" Lengths



FEATURES:

- Portable, rugged design enables user to view critical components in high resolution through access holes as small as .160"(4mm)
- Utilizes a high intensity tungsten halogen light source operated by 2 AA batteries
- Built-in light source affords user extreme versatility anywhere in the shop

Model No. 15735, OptiView 7" Rigid Borescope
Model No. 15733, OptiView 17" Rigid Borescope

ILLUMINATION ACCESSORIES

For use with Flexbar Rigid & Flexible Borescopes (shown left)

A. Model No. 15695,
High intensity LED portable light handle

B. Model No. 15738
Economy LED portable light handle



LIGHT SOURCE
Model No. 18-12720



150 Watt halogen lite-source- a bright, cool fiber optic light supply using Quartz Halogen lamps with solid state components, variable intensity, control and carrying handle. Ideal for all industrial and lab use.

LIGHT GUIDE
Model No. 13283

