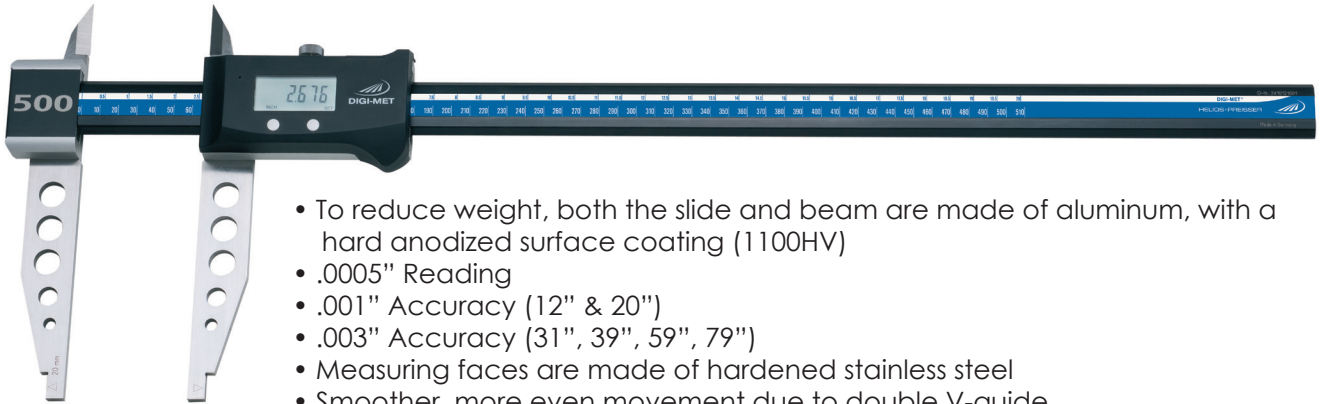


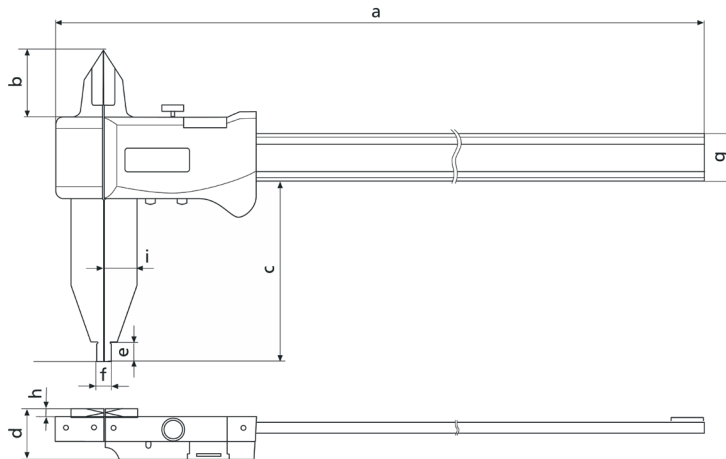


## DIGI-MET LIGHT WEIGHT WORKSHOP CALIPERS



- To reduce weight, both the slide and beam are made of aluminum, with a hard anodized surface coating (1100HV)
- .0005" Reading
- .001" Accuracy (12" & 20")
- .003" Accuracy (31", 39", 59", 79")
- Measuring faces are made of hardened stainless steel
- Smoother, more even movement due to double V-guide
- Locking screw
- Knife points
- On/Off switch
- Zero setting at any position
- mm/inch conversion
- PRESET Function (setting a numerical value)

  
**HELIOS • PREISSER**  
 Made in Germany



MODEL NO.	MEASURING RANGE	JAW LENGTH	DIMENSIONS (mm)								
			A	B	C	D	E	F	G	H	I
18380	12"/305mm	3.5"/89mm	450	33	90	24.5	10	10	25.0	4.5	17.0
18381	20"/500mm	6"/152mm	726	42	150	33.5	15	20	31.9	6.0	29.0
18382	31"/787mm	6"/152mm	1026	42	150	33.5	15	20	31.9	6.0	29.0
18383	39"/991mm	6"/152mm	1226	42	150	33.5	15	20	31.9	6.0	29.0
18384	59"/1499mm	8"/203mm	1526	42	200	33.5	15	20	31.9	6.0	29.0
18385	79"/2007mm	8"/203mm	2026	42	200	33.5	15	20	31.9	6.0	29.0

All Calipers come in fitted wooden case.