

**WU 3400**  
Wine Cabinet



---

**G** GERMAN  
ENGINEERING

---

**LIEBHERR**  
Quality, Design and Innovation

Temperature, humidity, vibration, and light are the most important elements of wine storage. Liebherr's **WU 3400**, with dual temperature zones, addresses all four of these areas with the best storage and preservation needs in mind. The temperature in each of the two sophisticated temperature zones can be set between 41°F and 68°F, making the cabinet suitable for storing reds, whites, and champagnes.

As a true wine storage unit, the **WU 3400** includes heating capabilities to maintain accurate temperatures when the location of the appliance is colder than the desired set temperature. Temperatures will not drop below 32°F thanks to the safety thermostat, ensuring the best quality of your wines. In addition to the constant temperature feature, ideal climates are created with alongside exceptional air quality. Liebherr's design uses recirculated forced air cooling and a permanent fresh air supply via an easily exchangeable activated charcoal filter.

Humidity ranges between 50 and 80 percent, permitting wine to breathe as it matures and to keep corks supple. Specially developed, quiet compressors ensure that the cabinet produces the lowest vibration possible as fine wines love peace and quiet as much as anyone. The **WU 3400** is available in stainless steel or can be designed with a custom panel using the overlay accessory kit.



**Wine Cabinet**

**WU 3400**  
Vinidor

LED Wine Telescopic Rails ADA Compliant 

Energy consumption (kWh/y)
Estimated Yearly Energy Cost in US \$*
Sound rating dB(A)**
Total capacity cu.ft. (l)
Max. No. of Bordeaux bottles (0.75 l)
Number of shelves
Shelves on telescopic rails
Shelf material
Electronic control
Temperature range °F (°C)
Temperature zones
Interior light
Door alarm
Safety thermostat
Activated Charcoal filter
Door type
Integrated lock
Door hinges
Product dimensions (H/W/D) in. (cm)
Cut out dimensions (H/W/D) in. (cm)
Net weight lbs. (kg)
Voltage V/Hz

–
–
XX
3.3 (94)
34
5
3
Beech wood shelves
LCD temp. display for both wine zones, key electronic
+41°F to +68°F (+5°C to +20°C)
2
LED lighting permanently on, dimmable
acoustic
yes
yes
Glass door with stainless steel frame
yes
right, reversible
32 1/4" / 23 9/16" / 22 1/2" (81.8/59.7/57)
32 5/16"-34 5/16" / 23 5/8" / 22 7/8" (82-87/60/58)
108.0 (49.0)
127/60

\* Estimated energy cost will depend on utility rates and use. Estimated energy cost based on a national average electricity cost of 12 cents per kWh.

\*\* Noise output – according to EN 60704-3.



**German Engineering:** Our superior products offer premium quality, cutting edge design, and innovative features that best fit your lifestyle. The use of high quality materials, perfectly detailed finishes, and elite cooling components are combined with the latest production processes, resulting in an outstanding cooling product.



Electronic Control

**Touch Control:** The electronic touch system allows temperatures to be set to the exact desired degree, from 41°F to 68°F. Temperatures are clearly displayed on the LCD display for accurate readings of your desired settings.



LED

**LED Ceiling Light:** The energy efficient LED ceiling light not only emits virtually no heat for the optimal storage of wines, but is dimmable for a pleasant ambient light within the cabinet, as well as a cool glow for the room.



**Beech Wood Shelving:** Liebherr wine cabinets are fitted with beech wood shelving, mounted on telescopic rails for easy and gentle access to wines. The handmade, untreated wood pullout shelves can hold a variety of bottle types.



**Activated Charcoal Filter:** Optimum air quality is guaranteed in Liebherr wine cabinets thanks to the easy-to-replace FreshAir activated charcoal filter, which purifies incoming air, while filtering out damaging odors.



**UV Protection:** In order to minimize the exposure of light which can damage the maturity of a wine, Liebherr wine cabinets are fitted with special UV-resistant insulated glass, simultaneously protecting and presenting your finest wines.



**Integrated Lock:** A sturdy lock protects your fine wine collection.



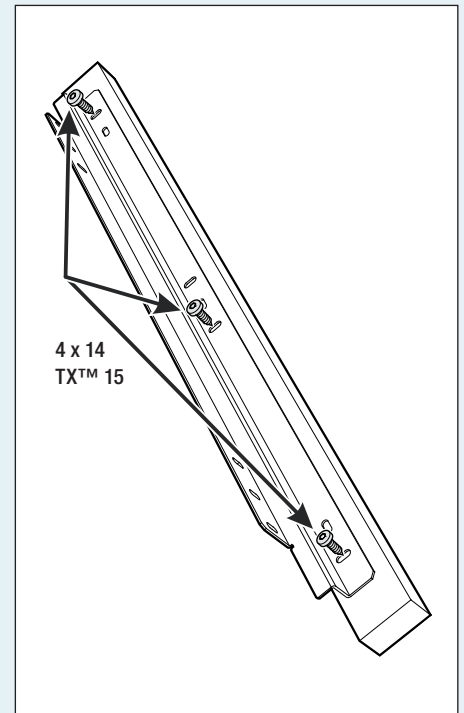
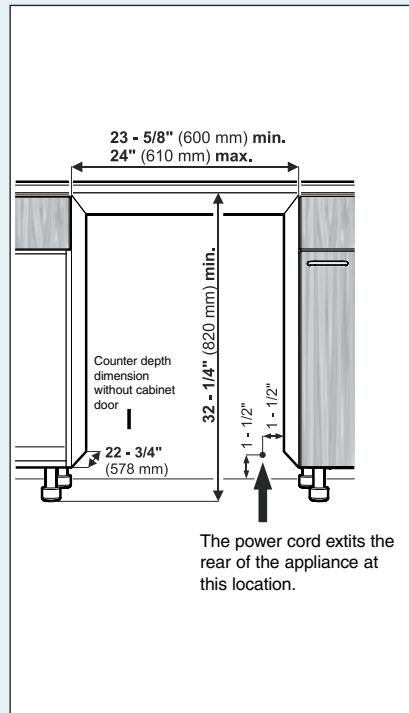
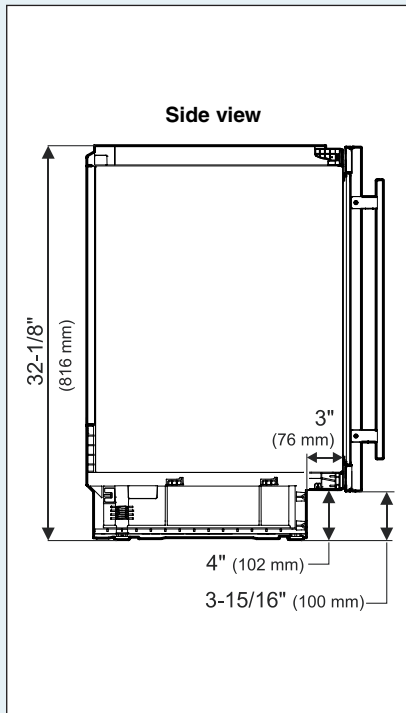
**Alarm:** Liebherr wine cabinets are equipped with a trustworthy alarm system which alerts the owner if the door has been left open, or if there are temperature changes.



**Compressors:** Specially developed, exceptionally low-vibration compressors prevent tannins from settling, allowing wines to mature properly.

Appliance and Cabinet Dimensions

Mounting the panel onto the angle bracket

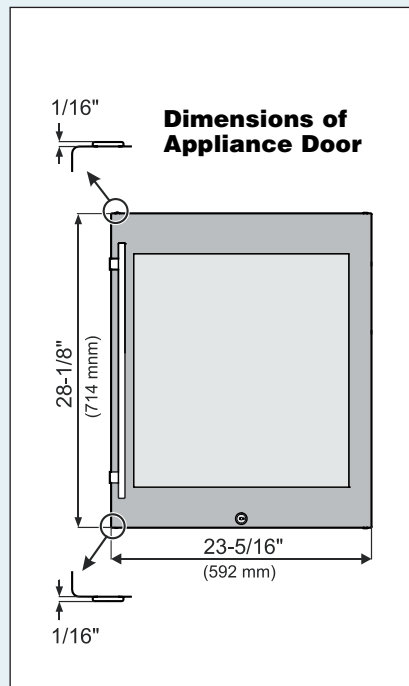
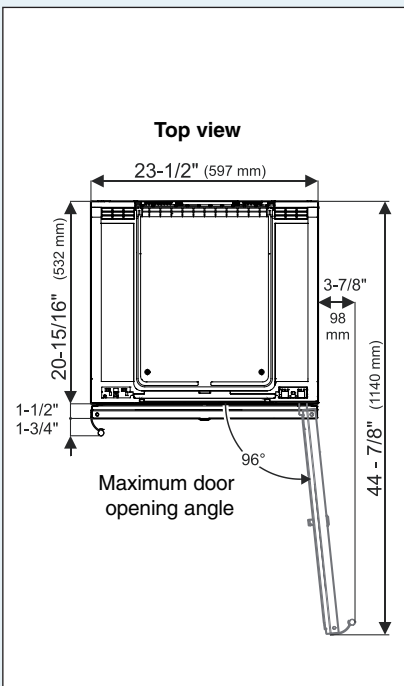


Mount the panel onto the angle bracket using three 4 x 14 screws.

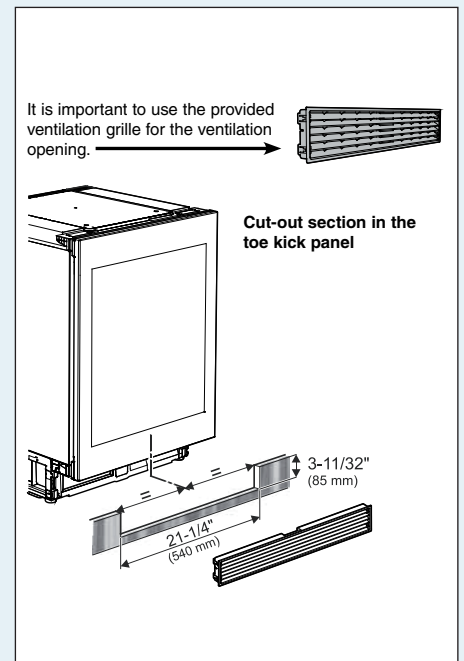
Height when adjustable feet have been screwed in as far as they will go.  
Delivery status = feet approx. 1/8" unscrewed.  
Maximum height adjustment = 2" (51 mm) to allow for a 6" (153 mm) toe kick.

Free length of the power cord = 78 - 3/4 inch (2000 mm)  
**IMPORTANT**  
The electrical outlet must not be situated behind the appliance and must be easily accessible.

Appliance Venting



**IMPORTANT**  
The floor on which the appliance stands must be horizontal and level.  
The kitchen units must be aligned horizontally and vertically.



**IMPORTANT**  
The cut-out section in the toe kick panel must be centered in relation to the appliance and in the uppermost part of the toe kick.