

SC5781

Freestanding / Semi Built-in

LIEBHERR

Refrigeration and Freezing



home.liebherr.com



SC5781

Energy consumption (kWh / y)	300
Estimated Yearly Energy Cost in US \$	42
Sound rating dB(A)	33
Refrigerator capacity cu.ft. (l)	9.1 (259)
BioFresh compartment cu.ft. (l)	-
Freezer capacity cu.ft. (l)	3.7 (104)
Electronic control	Touch & Swipe Display
Defrost type	Automatic
Interior light	LightTower
Number of shelves	5+ VarioSafe
Number of door racks	3+ VarioBox
Number of FrostSafe drawers	3
Number of EasyFresh drawers	1
Refrigerator Temperature range °F (°C)	34° to 46°F (2° to 9°C)
Freezer Temperature range °F (°C)	5° to -15°F (-15° to -26°C)
Water filter	No
Ice maker	EasyTwist-Ice
Ice cube output lbs. (kg.)	20 ice cubes per batch
Ice cube stock lbs. (kg.)	40 ice cubes
Door hinges	left, reversible
Product dimensions	
in inch (H / W / D)	79 5/16" / 23 1/2" / 26 9/16"
in cm (H / W / D)	201.5 / 59.7 / 67.5
Cut out dimensions	
in inch (H / W / D)	80" / 24" / 24"
in cm (H / W / D)	203.2 / 60.9 / 60.9
Net weight lbs. (kg)	164 (74.4)
Voltage V / Hz	115/60

* Energy Cost will depend on utility rates and use. Estimated energy cost based on a national average electricity cost of 14 cents per kWh.

** Noise output – according to EN 60704-3

Accessories

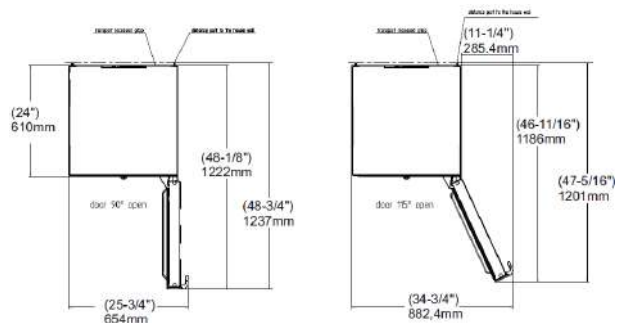
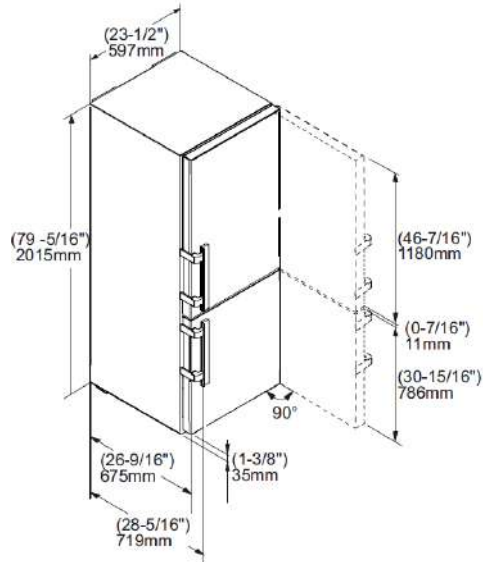
FreshAir activated carbon filter	9096989
Side By Side kit for models with handle 80"	9903573
Top Ventilation grill for Side by Side Installation	9900368
Door opening limitation	9096414

Features

Duo Cooling	DuoCooling independent refrigeration systems provide precise temperature control and superior performance, efficiency and food preservation.
Power Cooling	The fan – as powerful as it is quiet – distributes the cold air efficiently throughout the entire refrigeration compartment.
Easy Fresh	The guarantee of market freshness in your home. Whether it's unpackaged vegetables or fruit, Easy Fresh ensures that your food is preserved for a longer period of time.
Light Tower	Enjoy an optimally illuminated interior: the LightTower shows off the food in its best light and is positioned so that all of your filled fridge is illuminated at all times.
Soft System	SoftSystem integrated into the appliance door, cushions the door closure, thus eliminating slamming, even when the shelves are fully loaded.

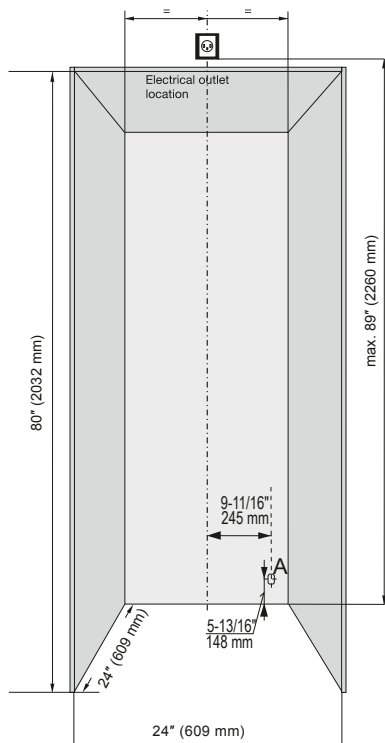
Diagrams

Product Dimensions



Allow door swing clearance at locations next to a wall. If the appliance is installed with the hinges next to a wall, the distance between the appliance and the wall must be at least 1 1/2" (40 mm). This is how far the handle protrudes when the door is open. The refrigerator door must open to a minimum of 90° to allow the crispers to open and the shelves to be removed. A 90° door limiter is available for this model as accessory. Height can be increased by 3/8" (10mm) by turning the levelling feet at the front and the height adjustable rollers at the appliance rear.

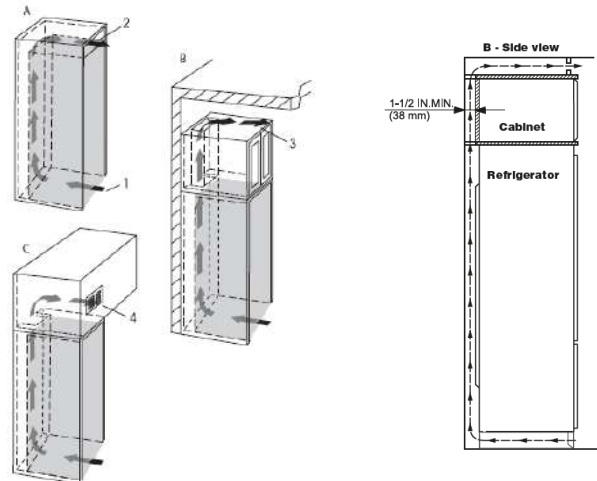
Semi built-in look – Cutout Dimensions



The appliances can be used freestanding or semi built-in. If semi built-in, consider the minimum cabinet opening dimensions specified on this image.

The power cord exists the rear of the appliances (A) right side and has a length of 6.5 ft (2m). We suggest the electrical outlet not to be located behind the appliance, so it is easily accessible. This can be located on top of the niche like shown on the image.

Ventilation Requirements



If the appliance is integrated in a fitted kitchen, the following ventilation requirements must be met: - The spacing fins on the back of the appliance are used to ensure sufficient ventilation. These must not lie in cavities or recesses in their final installation position. - Basically, the larger the ventilation gap, the more energy the appliance saves during operation. Do not restrict the air flow.

A cross-sectional air flow of at least 31 in² (200cm²) per appliance at the airflow inlet (1) and at the airflow outlet (2).

The top ventilation space can be directed in one of the following ways:

- A. Directly over the appliance (2) with a gap between the ceiling of the unit and the cabinet
- B. Above the cabinet and below the ceiling (3).
- C. Through a vent installed in a soffit (4).

Be sure to consider the possibility of having to raise some of the leveling legs in order to level the appliance when installing. If you adjust the height of the appliance – it will effectively reduce air flow. Therefore leave yourself some room for adjustment. The appliance is designed to allow proper air flow when installed up against the wall.