



Key Features

- **Industry Exclusive: U-Choose™ feature allows you to select ice density**
- **Industry Leading: Produces up to 90 lb of ice per day**
- **Industry Leading: Stores 30 lb of ice**
- Eco friendly - most efficient type of specialty ice
- Makes cylindrical compressed ice bits approx. ¾" L x ½" H
- Digital touch pad control with blue LED display
- Indicator alert notifies user when cleaning is needed
- Bright white LED lighting
- White interior
- Stainless steel handle (7/8" diameter)
- Easiest nugget ice machine cleaning process in the industry
- Free cleaning kit with product registration at u-line.com
- Field reversible door is shipped right-hand hinged
- Built-in or freestanding
- Four adjustable leveling legs
- Factory installed drain pump model recommended if a gravity drain is not accessible

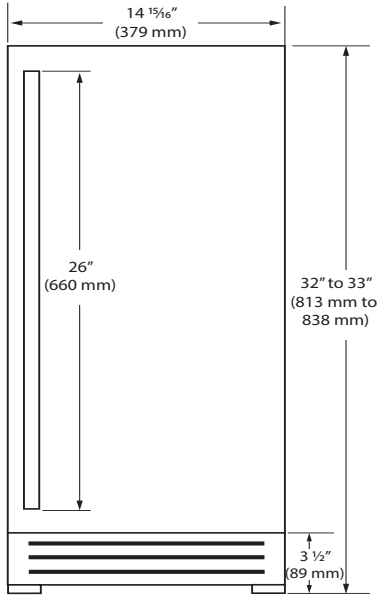
Model Details

Model	Voltage/Hz	Door Swing	Pump	Finish	Shipping Weight
UANB115-SS01A	115 / 60	Field Reversible	-	Stainless Solid	90 lb
UANP115-SS01A	115 / 60	Field Reversible	Pump Included	Stainless Solid	95 lb

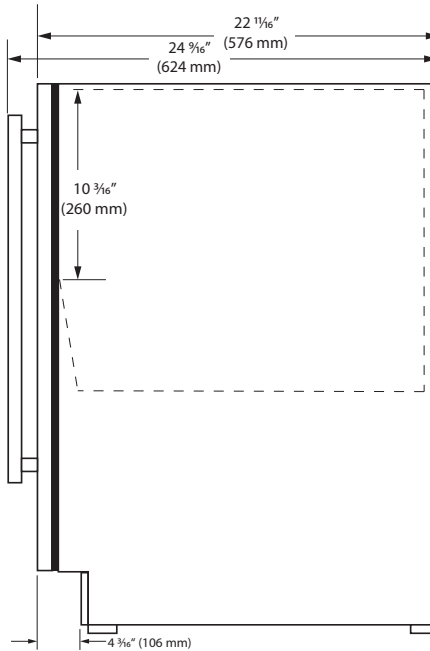
Accessories

Model	Description	Finish	Shipping Weight
ULALINEFILTERHEAD	In-Line Water Filter Head 3/8" NPT (Required for initial setup)	N/A	1 lb
ULALINEFILTER	In-Line Water Filter (Standard)	N/A	4.5 lb
ULALINEFILTERL	In-Line Water Filter (Large)	N/A	7 lb
ULANUGGETCLEANKIT	Includes 1 Bottle Nugget Ice Cleaner, Funnel, & Hose	N/A	1 lb
ULANUGGETCLEAN	Nugget Ice Cleaner (Single 8 oz. bottle)	N/A	1 lb
ULAWATERHOOKUP	Braided Water Supply Line Kit	N/A	2 lb

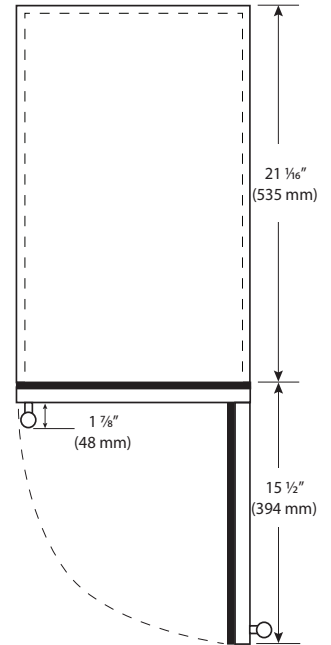
Front



Side



Top



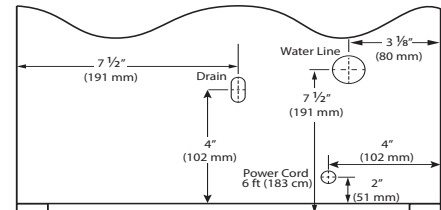
Specifications

Model	ANB115
Amps: Running	3
Dimensions: Product Depth	22 11/16" / 576 mm
Dimensions: Product Height	32" / 813 mm
Dimensions: Product Width	14 15/16" / 379 mm
ENERGY STAR	Yes
Ice Production Per Day	90 lb
Ice Storage	30 lb
Product Weight: Max	95 lb
Refrigerant Type:	R600a (1.59 oz)
Sabbath (Star K Certified)	Yes

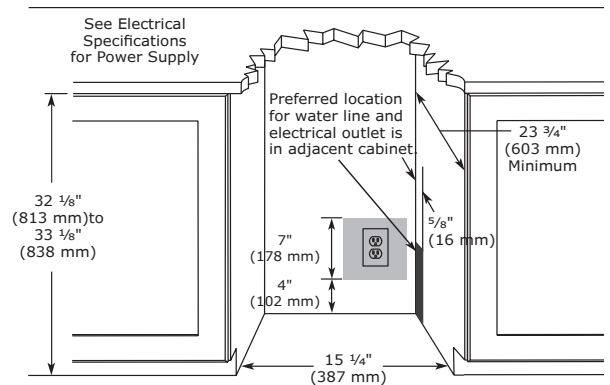
Water Mineral Content Requirements:

- TDS: Greater than 5 ppm (mg/l) but less than 400 ppm (mg/l)
 - Hardness: Less than 200 mg/l (12 gpg)
- Not recommended for use with softened water
 Visit u-line.com/waterfilters to learn about water quality solutions.

Back



Cabinet Cut-Out



Warranty

- 1 Year (parts & labor) / 5 year sealed system (parts)
- + **Additional 1 Year (parts & labor) warranty at no cost with product registration**

See complete warranty for details



Installation Notes

- 15" cutout width sufficient if door protrudes beyond adjacent cabinetry
- No additional clearance is needed for ventilation
- Do not obstruct front grille air flow

