



INSTALLATION GUIDE

SHOWCASE SHELF



2D SHOWCASE SHELF ROW

INSTALLATION GUIDE

RECOMMENDED TOOLS: Tape measure, Level, Pencil, Electrical drill, and Stud finder, 1/2" Drill bit, 4mm allen wrench

PACKAGE CONTENTS

QTY	Description	QTY	Description
2	Mounting Bracket	1	Display Rack
4	Rods	6	Toggle Bolts
8	4mm Allen Bolt	6	Wood Screws
8	10mm Hex Screw	6	Screw Caps

INSTALLATION STEPS

IMPORTANT: Before installing, check package contents for missing or damaged items.

STEP 1: LAY OUT SHELF ASSEMBLY

Located the two side mounting brackets and configure so that the straight portion of the bracket is on the bottom, the angled portion is facing up, and the mounting flange is facing inward.

STEP 2: START SHELF ASSEMBLY

Assemble all rods in GREEN (refer to figure 1) by lining the rod up with the inside rod mounting hole of the left mounting bracket and screw in a 4mm Allen bolt. (Screw by hand. Do not over tighten.) Line up the rod with the inside rod mounting hole of the right mounting bracket and screw in another 4mm Allen bolt. *Please refer to figure 1

STEP 3: FIND DESIRED LOCATION

Use stud finder to assist in mapping out mounting locations. Place the Showcase Shelf against wall in desired location.

STEP 4: MARK MOUNTING HOLES

Ensure the Shelf is straight by placing a level on the assembly. Use a pencil to mark mounting holes and set the Shelf aside.

STEP 5: DRILL MOUNTING HOLES

If there is sheet rock, drill holes at all marking places using 1/2" drill bit. If mounting to metal, use the 10mm Hex Self-Drilling Screws. If plywood or studs are behind the sheetrock, no pre-drill is necessary.

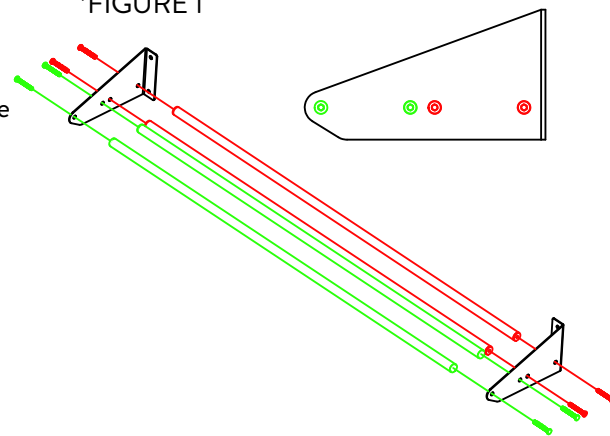
STEP 6: ASSEMBLE HARDWARE ONTO SHOWCASE SHELF

If using toggle bolts, assemble hardware onto Showcase Shelf through the holes that are provided.

SEE NEXT PAGE FOR CONTINUED INSTALLATION STEPS.



*FIGURE 1



INSTALLATION STEPS CONTINUED

STEP 7: ALIGN HARDWARE TO HOLES AND SECURE

Align the toggle bolts to the pre-drilled mounting holes and push the toggle bolts through the holes. Secure the Showcase Shelf by using a drill to tighten the hardware on the top right side of the Showcase Shelf. If plywood or studs are behind the sheetrock, tighten the screws with a drill directly into the wall.

PRO TIP: Tightening only one screw will make leveling easier.

STEP 8: SECURE REMAINING HARDWARE

Ensure the Showcase Shelf is straight by placing a level on the Shelf. Tighten the top left screw and follow by tightening remaining screws.

PRO TIP: Use a 4' level to yield the best results.

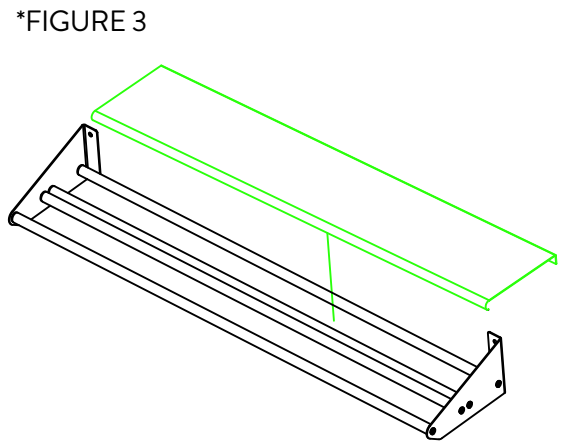
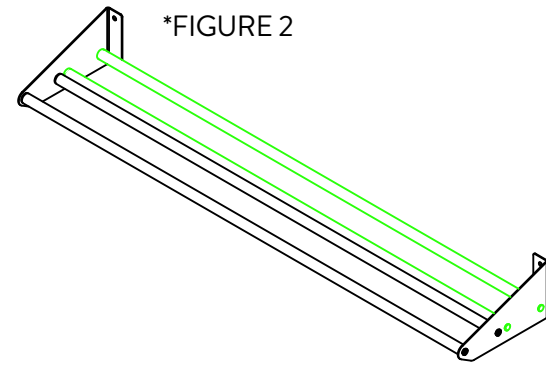
STEP 9: SECURE REMAINING ROD TO SHELF

Assemble the rods in GREEN (refer to figure 2) by lining the rod up with the inside rod mounting hole of the left mounting bracket and screw in a 4mm Allen bolt. (Screw by hand. Do not over tighten.) Line up the rod with the inside rod mounting hole of the right mounting bracket and screw in another 4mm Allen bolt. *Please refer to figure 2

STEP 10: SECURE METAL SHELF TO ROD ASSEMBLY

After finishing the assembly of the rods & mounting bracket place the solid metal shelf onto the completed rack assembly. *Please refer to figure 3

STEP 10: ADD BOTTLES/DECOR & ENJOY!



**SEE NEXT PAGE FOR
3D SHOWCASE SHELF
INSTALLATION STEPS.**



3D SHOWCASE SHELF ROW

INSTALLATION GUIDE

RECOMMENDED TOOLS: Tape measure, Level, Pencil, Electrical drill, and Stud finder, ½” Drill bit, 4mm allen wrench

PACKAGE CONTENTS

QTY	Description	QTY	Description
2	Mounting Bracket	1	Display Rack
6	Rods	6	Toggle Bolts
8	4mm Allen Bolt	6	Wood Screws
12	10mm Hex Screw	6	Screw Caps

INSTALLATION STEPS

IMPORTANT: Before installing, check package contents for missing or damaged items.

STEP 1: LAY OUT SHELF ASSEMBLY

Located the two side mounting brackets and configure so that the straight portion of the bracket is on the bottom, the angled portion is facing up, and the mounting flange is facing inward.

STEP 2: START SHELF ASSEMBLY

Assemble all rods in GREEN (refer to figure 1) by lining the rod up with the inside rod mounting hole of the left mounting bracket and screw in a 4mm Allen bolt. (Screw by hand. Do not over tighten.) Line up the rod with the inside rod mounting hole of the right mounting bracket and screw in another 4mm Allen bolt. *Please refer to figure 1

STEP 3: FIND DESIRED LOCATION

Use stud finder to assist in mapping out mounting locations. Place the Showcase Shelf against wall in desired location.

STEP 4: MARK MOUNTING HOLES

Ensure the Shelf is straight by placing a level on the assembly. Use a pencil to mark mounting holes and set the Shelf aside.

STEP 5: DRILL MOUNTING HOLES

If there is sheet rock, drill holes at all marking places using ½” drill bit. If mounting to metal, use the 10mm Hex Self-Drilling Screws. If plywood or studs are behind the sheetrock, no pre-drill is necessary.

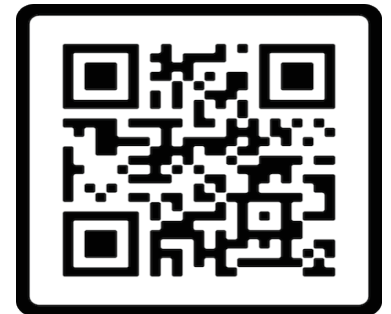
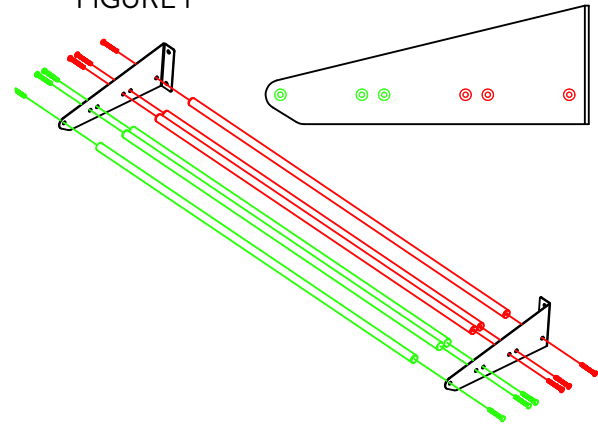
STEP 6: ASSEMBLE HARDWARE ONTO SHOWCASE SHELF

If using toggle bolts, assemble hardware onto Showcase Shelf through the holes that are provided.

SEE NEXT PAGE FOR CONTINUED INSTALLATION STEPS.



*FIGURE 1



INSTALLATION STEPS CONTINUED

STEP 7: ALIGN HARDWARE TO HOLES AND SECURE

Align the toggle bolts to the pre-drilled mounting holes and push the toggle bolts through the holes. Secure the Showcase Shelf by using a drill to tighten the hardware on the top right side of the Showcase Shelf. If plywood or studs are behind the sheetrock, tighten the screws with a drill directly into the wall.

PRO TIP: Tightening only one screw will make leveling easier.

STEP 8: SECURE REMAINING HARDWARE

Ensure the Showcase Shelf is straight by placing a level on the Shelf. Tighten the top left screw and follow by tightening remaining screws.

PRO TIP: Use a 4' level to yield the best results.

STEP 9: SECURE REMAINING ROD TO SHELF

Assemble the rods in GREEN (refer to figure 2) by lining the rod up with the inside rod mounting hole of the left mounting bracket and screw in a 4mm Allen bolt. (Screw by hand. Do not over tighten.) Line up the rod with the inside rod mounting hole of the right mounting bracket and screw in another 4mm Allen bolt. *Please refer to figure 2

STEP 10: SECURE METAL SHELF TO ROD ASSEMBLY

After finishing the assembly of the rods & mounting bracket place the solid metal shelf onto the completed rack assembly. *Please refer to figure 3

STEP 11: ADD BOTTLES/DECOR & ENJOY!

